

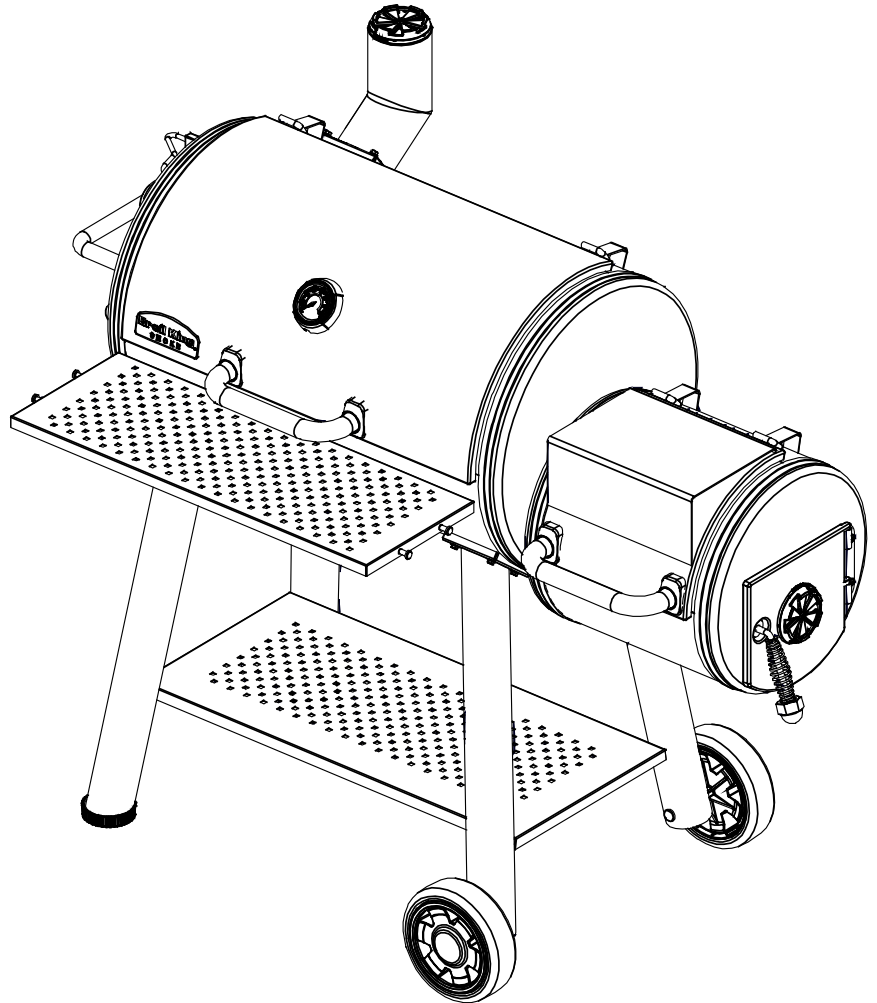
# Broil King®

## OWNER'S MANUAL

FOR USE WITH  
Broil King® Smoke™ Offset Smoker

### CONTENTS

INTRODUCTION.....	2
SAFETY.....	2
SMOKER PARTS.....	3
CHARCOAL.....	4
GETTING STARTED.....	4
LIGHTING.....	5
OPERATION.....	6
MAINTENANCE.....	8
RECIPES.....	9
WARRANTY.....	10
GUIDE DE L'UTILISATEUR.....	11
MANUAL DEL USUARIO.....	21



This instruction manual contains important information necessary for the proper assembly and safe use of the appliance. Read and follow all warnings and instructions before assembling and using the appliance. Follow all warnings and instructions when using the appliance.

Keep this manual for future reference.

1-800-265-2150  
info@omcbbq.com

*Onward*  
MANUFACTURING COMPANY  
SINCE 1906  
585 KUMPF DRIVE LIMITED  
WATERLOO, ONTARIO, CANADA  
N2V 1K3

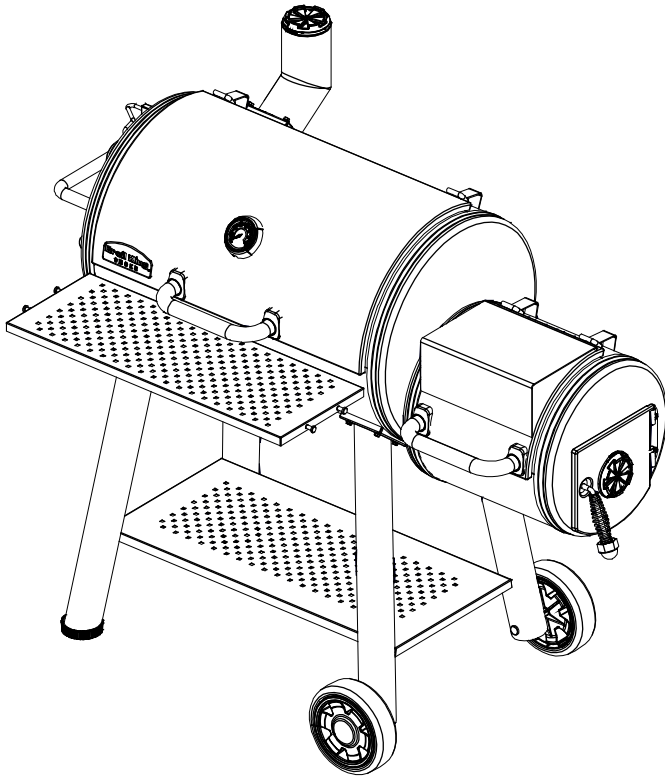
40094-E20 REV A 04/17

# INTRODUCTION

## **BROIL KING® SMOKE™ OFFSET SMOKER**

The Broil King® Smoke™ Offset Smoker is designed to create mouth-watering, authentic smoke flavored foods. Every detail of this smoker has been precisely engineered; this attention to detail is evident throughout the offset smoker. From durable construction and stylish accents to exceptional cooking versatility, Broil King® brings it altogether. Great food, great flavor, great barbecues every time.

Your Broil King® Smoke™ Offset smoker is equipped with Roto-Draft™ Intake and Exhaust dampers to give you precise temperature control. It also includes an internal damper between the large and small cook box. This feature allows you to adjust the size of the opening between chambers, providing maximum control in a variety of cooking conditions and helps reduce pre-heat and cool-down time.



**⚠️ WARNING!**

**DO NOT OPERATE OVER 650°F / 325°C**

**MULTIPLE PATENTS PENDING**

# SAFETY

## **⚠️ DANGER**

- **This grill is designed for outdoor use only. If used indoors, toxic fumes will accumulate and cause serious bodily injury or death.**
- **Do not add charcoal starter fluid or charcoal impregnated with starter fluid to hot or warm charcoal.**
- **Do not leave children or pets unattended near a hot grill.**
- **Do not attempt to move a hot grill.**
- **Do not use grill within ten feet of any combustible material.**
- **Do not use unless grill is fully assembled and all parts are in place.**
- **Do not remove ashes until all charcoal is completely burned out and fully extinguished**
- **Do not use grill in high winds**

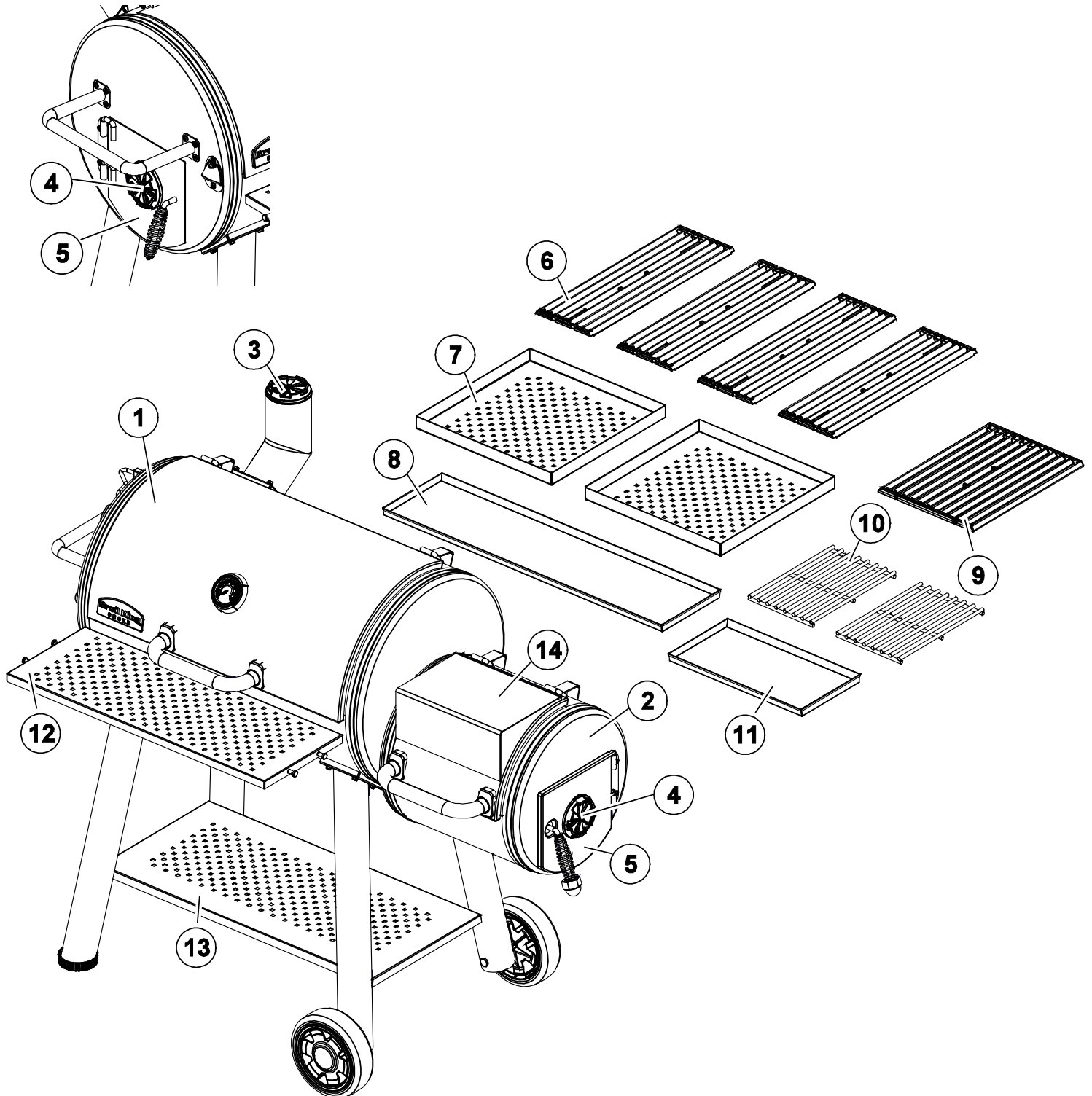
## **⚠️ WARNING**

- **Keep the grill in a level position at all times.**
- **Always use charcoal trays and grates.**
- **Never touch the charcoal tray or grate to see if they are hot.**
- **Use barbecue mitts or hot pads to protect hands while cooking or adjusting the dampers.**
- **Use proper barbecuing tools with long, heat-resistant handles.**
- **To extinguish the coals, close the doors and dampers completely. Do not use water, it may damage the smoker's finish.**
- **Warning! Do not burn charcoal in both cooking chambers at the same time.**
- **WARNING! Do not use spirit or petrol for lighting or re-lighting! Use only firelighters complying to EN 1860-3!**
- **WARNING! Keep children and pets away.**

Failure to heed these danger and warning statements may cause serious injury or death; or fire or explosion resulting in damage to property.

# BROIL KING® SMOKE™ OFFSET SMOKER

- |                               |   |                               |
|-------------------------------|---|-------------------------------|
| 1. Main Chamber               | 6. Reversible Cast Grids - Large Cook Box | 10. Charcoal Grates           |
| 2. Firebox Chamber            | 7. Smoke Diffuser Trays                   | 11. Ash Tray - Small Cook Box |
| 3. Roto Draft™ Exhaust Damper | 8. Ash Tray - Large Cook Box              | 12. Work Shelf                |
| 4. Roto Draft™ Intake Damper  | 9. Reversible Cast Grids - Small Cook Box | 13. Lower Shelf               |
| 5. Clean Out Door             |   | 14. Warming Shelf             |



# CHARCOAL



## NATURAL LUMP CHARCOAL

Natural Lump Charcoal - Your Broil King® Smoke™ Offset Smoker will run on many types of fuel including traditional charcoal briquettes and even wood chunks; however, it works best with Broil King® Hardwood Lump Charcoal. Good natural lump charcoal contains no chemicals, additives, or fillers. This means your fire burns hotter, cleaner, and creates less ash than with charcoal briquettes. Broil King® Hardwood Lump Charcoal (# TCF5506) is recommended.

## COOKING WITH WOOD CHUNKS

Wood chunks are a great fuel source for your offset smoker, they provide a powerful burst of heat and flavor. Using a combination of charcoal and wood chunks, you can build a substantial fire in the fire box. Using soaked wood chips or chunks will provide smoke over a longer time period. It is recommended to check the fire every hour during the cooking process. Add charcoal and wood as required to maintain the desired cook temperature.

## FIRE STARTER STICKS

Fire Starters - Starter sticks / cubes made from natural products work best. Charcoal chimney starters or electric charcoal starters also work well. Avoid using lighter fluid, as it imparts an unnatural flavor into the cooking area.

# GETTING STARTED

Remove the grates, diffuser trays and ash trays; wash thoroughly in warm, soapy water. Rinse completely and dry with a soft towel, don't air dry, and don't ever put in dishwasher.

## SEASONING YOUR CAST IRON COOKING GRIDS:

Coat your cast iron cooking grids with olive oil or grapeseed oil. Use a paper towel or cloth to coat cover all edges. In your smoker or oven, bake the cooking grids at 400°F (205°C) for up to 1 hour. Cool and place in smoker for use.

## INITIAL 'BURN-IN'

Before you start to cook on your Broil King® Smoke™ Offset Smoker you have to burn off the protective residues from manufacturing. Light your smoker, as outlined on page 5: lighting your smoker, and maintain a fire with both intake and exhaust vents wide open for a minimum of one hour. This will burn off any of the protective coating from manufacturing and begin the process of smoke-curing the internal components of the smoker. The more you use your smoker, the better the seasoning will be.

## **⚠**WARNING

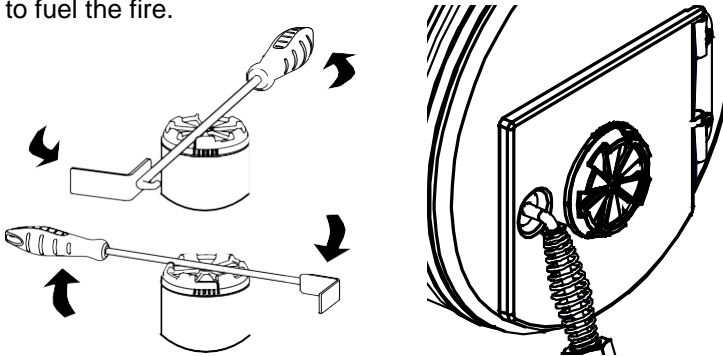
Always use caution when opening the fire box access door. Carefully open the door a crack, allow 5 seconds before opening all the way. This allows some of the heat around the charcoal tray to escape and limits chances of flare-up

# LIGHTING

## FOR SMOKING / INDIRECT COOKING (USING SMALL CHAMBER AS FIRE BOX)

### Step 1:

Set the Roto Draft™ intake and exhaust dampers to position 5 (wide open) to let the maximum amount of air in to fuel the fire.



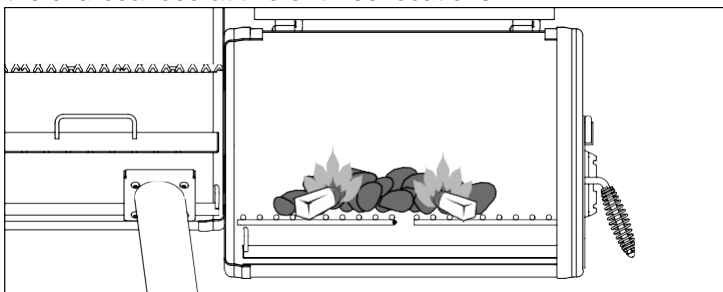
When preheating your smoker, open the internal damper completely using the included multi-tool (Item# KA5527). As you approach your target temperature lower the internal damper using multi-tool to just below the level of the smoke diffusers. This will push the majority of the hot air and smoke below the diffuser trays for even smoking.

### Step 2:

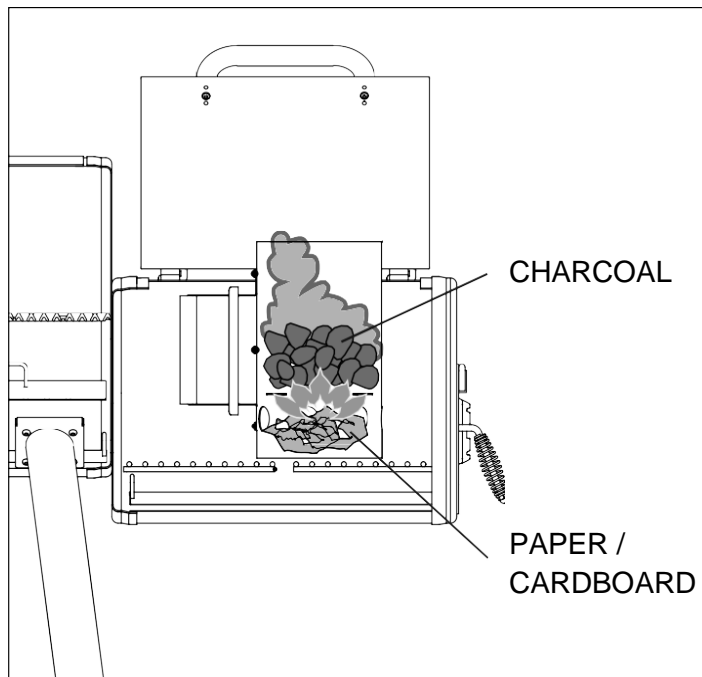
Open the lid on the small cook box, remove the cooking grids using the grid lifter provided (Item # 60750), and fill the tray with roughly 4 lbs. of hardwood lump charcoal. As you become more familiar with the Broil King® Smoke™ Offset Smoker, you will get a feel for how much charcoal you need for various cook times and temperatures.

### Step 3: Lighting

If using starter sticks, light them and place into the top of the charcoal bed at two or three locations.

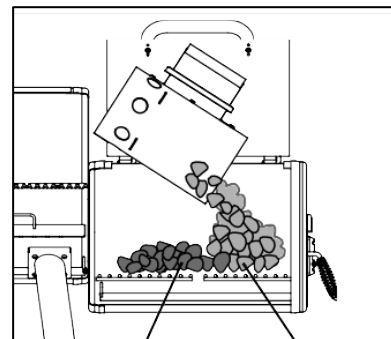


If using a stainless steel chimney starter, fill the Broil King® Charcoal Chimney Starter (Item # 63980) with charcoal. Fill the bottom of the chimney starter with one or two pieces of newspaper. Place the chimney starter on the charcoal grate in the fire box. Once charcoal is lit, add carefully to the charcoal tray on top of unlit charcoal. Placing burning charcoal closer to the intake damper will encourage the fire to burn evenly through the burn chamber.



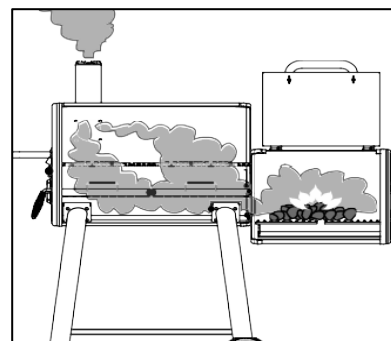
### Step 4:

Allow the charcoal to ignite with the fire door open until charcoal is aflame.



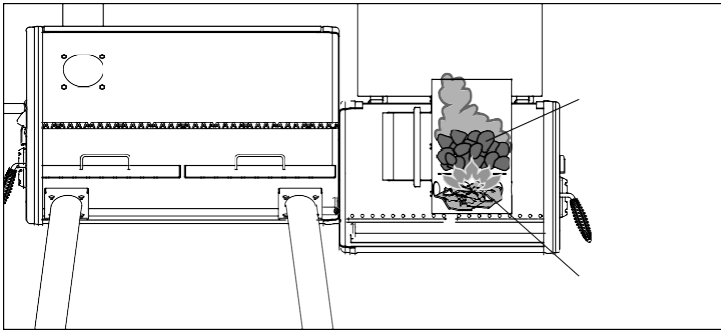
### Step 5:

Adjust dampers to achieve desired temperature - Start closing dampers 50 degrees before target temperature.



# LIGHTING

## FOR DIRECT GRILLING (USING MAIN CHAMBER AS CHARCOAL GRILL)



Follow lighting instructions above, but fill diffuser trays in the large cook box with lit charcoal, arrange to an even depth, and control temperature using intake dampers and exhaust. The best option is using a chimney starter for lighting larger volumes of charcoal. Once lit, arrange charcoal in the trays, and replace cooking grids using grid lifter provided. Note: Charcoal burns hotter with more access to airflow, having the lid open when grilling will produce more intense heat.

## SHUTTING DOWN:

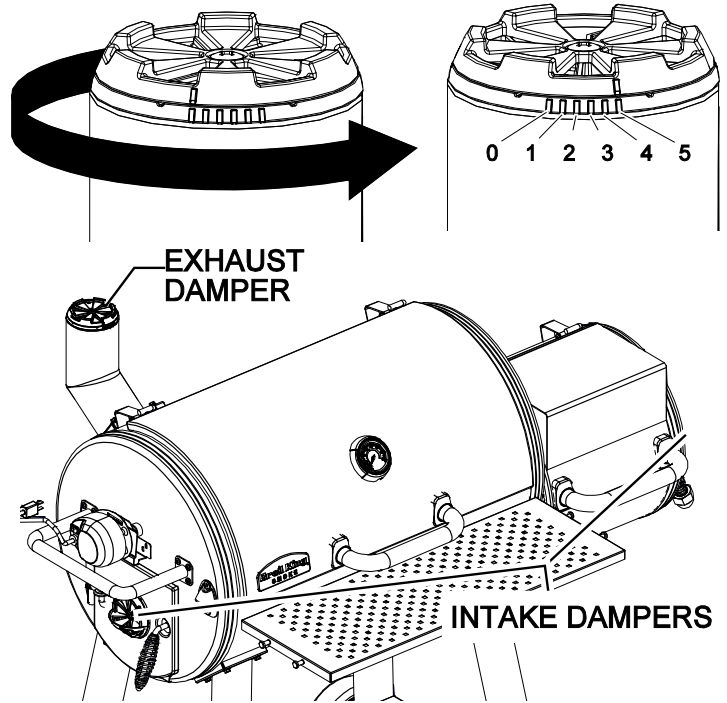
When you're ready to shut down the Broil King® Smoke™ Offset Smoker, close the dampers to snuff the fire out completely

# OPERATION

## CONTROLLING TEMPERATURE:

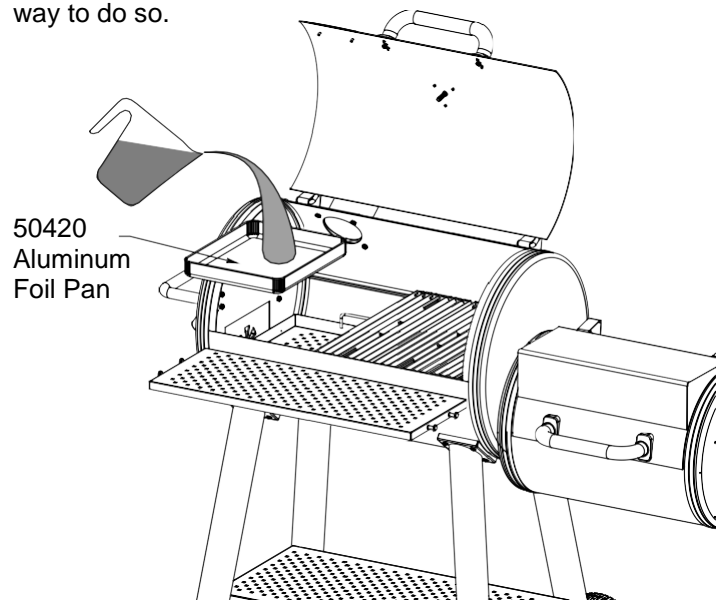
The Broil King® Smoke™ Offset Smoker allows you to control cooking temperature by regulating airflow through the intake dampers and exhaust damper. The more you open the dampers, the more air will flow through to the charcoal. The more air that gets to the charcoal the hotter the temperature will get. Small adjustments to the dampers will make significant changes to the cooking temperature.

Adjust Roto-Draft™ dampers using the included multi-tool.



## WATER PAN:

Given the amount of airflow for cook times exceeding 3 hours, adding a water pan to the main chamber may be warranted – this will keep food from drying out. Using disposable foil drip trays (Item # 50420) is a convenient way to do so.



# OPERATION

## TECHNIQUES:

### Smoking: Less than 275°F (135°C)

This classic form of barbecue involves indirect cooking of larger cuts of meat at low temperatures (less than 275°F (135°C) for a relatively long time (often 4+ hours). Using charcoal and wood chips infuses slow cooked meats and other items with smoky barbecue flavor and yields incredibly tender results.

### Smoke Roasting: 275°F – 400°F (135°C - 205°C)

Also known as indirect grilling, this is similar setup to smoking; smoke roasting is an accelerated version of the same principles. It works well for more conventional roasts, chickens and items that are frequently oven roasted. The combination of smoke and cooking time creates great flavor in a shorter time than true smoking.

### Tips & Tricks for Smoking and Smoke Roasting:

Due to the construction of offset smokers, the side of the cook chamber closest to the fire (right side) may be hotter than the opposite end (left side) – building a small sacrificial fire may help to preheat your offset smoker and promote more even cooking.

### Direct grilling: 400°F (205°C) or more

Direct – as in directly above the burning charcoal and wood chips. This method is the traditional backyard cook-out or barbecue. Ideal for smaller items – steaks, chops, burgers, vegetables. The high heat sears the exterior while cooking the interior.

For more information, visit [www.broilkingbbq.com](http://www.broilkingbbq.com)



### The Perfect Steak Grilling Guide Ingredients

- 4 steaks (preferably New York Strip), 1" thick
- 2 cloves garlic minced or pressed
- 2 tbsp worcestershire sauce
- 2 tbsp balsamic vinegar and freshly ground pepper
- 2 tsp dijon mustard
- 2 tbsp soy sauce
- 2 tbsp olive oil

### Preparing The Steaks

Trim excess fat from the steaks. In a heavy, resealable plastic bag combine the remaining ingredients. Marinate the steaks for 1 hour at room temperature or up to 24 hours in the refrigerator. If refrigerating, bring steaks close to room temperature 1 hour before grilling for more even cooking.

### PERFECT GRILLING TIPS

- A. Brush grids with vegetable or olive oil and preheat the barbecue to 450oF / 275oC. Place food on the barbecue at a 45 angle and cook according to the timing on the cooking charts below.
- B. Turn the steak over grilling on the same 45 angle.
- C. Turn the steak over and grill on the opposite 45 angle.
- D. Finally, turn the steak over and grill on the same 45 angle.

## THE PERFECT STEAK GRILLING GUIDE

PLACE STEAK ON ANGLE ON HOT GRIDS.

FLIP THE STEAK AS SHOWN BELOW.

TURN AND FLIP THE STEAK AGAIN.

FINALLY, FLIP THE STEAK AGAIN.

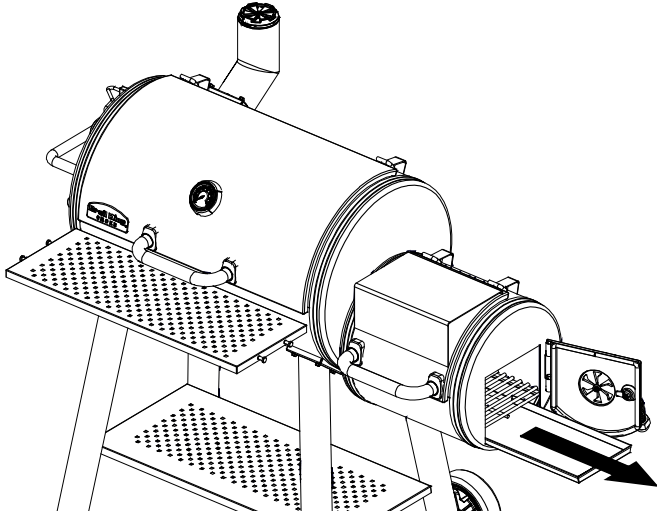
Meat Thickness		Heat Setting	Time Per Side				Total Time
1½"	1"		A	B	C	D	
	Rare	High	1¾	1¾	1¾	1¾	7 minutes
	Medium/Rare	Med/High	2	2	2	2	8 minutes
	Medium/Rare	Medium	2¼	2¼	2¼	2¼	9 minutes
	Medium	Med	2½	2½	2½	2½	10 minutes
	Well	Med	3	3	3	3	12 minutes

# MAINTENANCE

---

## CLEAN OUT

After each cook, it will be necessary to empty the ash trays. Once cool, open the firebox access doors and carefully remove the ash tray. Empty into a bucket or other container for disposal.



## CARE AND MAINTENANCE

The Broil King® Smoke™ Offset Smoker will give you many years of great service with minimal care. The seasoning process will help preserve the internal steel components. Use a stainless steel brush to clean cooking grids and components that are soiled.

It may be necessary to clean and re-season your cooking grids. Brush them thoroughly with a stainless steel grill brush to remove any debris and apply a thin layer of olive or grapeseed oil. Then, place the cooking grids into your smoker, and cook at 400°F (205°C) for 1 hour. Repeat as desired. This coating of oil will protect your cooking grids and provide years of trouble free use.

Clean the exterior using warm, soapy water.

To clean the interior, use a wire-bristle grill brush to remove any debris from the cook box. The layer of oils that accumulates inside the smoker – the seasoning – is protective and does not need to be scrubbed clean with any frequency.

Always keep your Broil King® Smoke™ Offset Smoker covered when not in use - use Broil King® Cover # 67050



# RECIPES

---

## BBQ RUB

- 2 tablespoons brown sugar
- 1 teaspoon kosher salt
- 1 teaspoon freshly ground black pepper
- 1 tablespoon cumin
- 2 teaspoons dry mustard
- 2 teaspoons paprika
- 2 tablespoons chili powder
- 1 teaspoon onion salt
- 1 teaspoon celery salt
- 1 teaspoon garlic powder
- 1 tablespoon oregano

## SMOKED CHICKEN

- Preheat smoker to 275°F (135°C)
- 1 whole chicken, separated, or chicken pieces – thighs, wings, drumsticks, up to 5 lbs.
- Rub chicken pieces with general purpose BBQ rub, let stand 30 minutes
- Add water pan to smoker
- Add handful of apple or other wood chips to burning charcoal
- Arrange chicken on cooking grids
- Cook 2.5 – 4 hours
- Internal temperature must reach 165°F (74°C)
- Cover, let stand 10 minutes
- Serve and enjoy

## RIBS

- Preheat smoker to 250°F (121°C)
- 4 racks pork ribs
- Peel membrane from ribs
- Season liberally with barbecue rub
- Add water pan with apple juice to smoker
- Add handful of apple or other wood chips to burning charcoal
- Arrange ribs on cooking grids, or in the included rib rack
- Cook 3-4 hours
- If desired, apply barbecue sauce at this time and finish using your Broil King Gas Barbecue at 400°F for 10 – 20 minutes.
- Remove from smoker, cover and let stand 10 minutes
- Serve and enjoy

## PULLED PORK

- Preheat smoker to 225°F (107°C)
- 4 – 15 lb. Pork Shoulder (Smaller cuts will often be labelled Boston Butt or picnic shoulder)
- Season liberally with barbecue rub
- Add water pan with apple juice to smoker, set pork shoulder above pan
- Add handful of wood chips to burning charcoal
- Place pork shoulder on cooking grids
- Cook 4 + hours to an internal temperature of at least 185°F (85°C)
- Remove from smoker, wrap with foil, let stand 30 minutes
- Chop using Broil King® Super Flipper (#64011) or pull using Broil King® Meat Claws (#64070)
- Apply sauce as desired
- Serve and enjoy

# WARRANTY

---

## WARRANTY & CUSTOMER SERVICE

The OMC Warranty is effective from date of purchase and is limited to the repair or replacement of parts at no charge which prove to be defective under normal domestic use.

In Canada and the United States replacement is FOB Factory.

In all other countries replacement is FOB OMC Distributor. (Consult your dealer for name of OMC Distributor.)

All other costs are the responsibility of the owner.

This warranty is extended only to the original purchaser as indicated on the warranty registration and applies only to products sold at retail and only when used in country where purchased.

## WHAT IS COVERED:

High Heat Coated Cook Box	5 years
Remaining parts & paint	2 years

## WHAT IS NOT COVERED:

- Any failures or operating difficulties due to accident, abuse, misuse, alteration, misapplication, vandalism, improper installation or improper maintenance or service, or failure to perform normal and routine maintenance as set out in the owner's manual.
- Deterioration or damage due to severe weather conditions such as hail, hurricanes, earthquakes or tornadoes, discoloration due exposure to chemicals either directly or in the atmosphere.
- Shipping or transportation costs.
- Removal or re-installation costs.
- Labor costs for installation and repair.
- Cost of service calls.
- Liability for indirect or consequential damages.

## REPLACEMENT PARTS:

"Genuine OMC Replacement Parts" must always be used for replacement. Use of any other parts will automatically nullify the above warranty.

## WARRANTY CLAIMS:

All warranty is handled directly by OMC. Parts must be returned to OMC Warranty Department, shipping charges prepaid, accompanied by model #, Serial #, and if your grill is not registered, proof of purchase (copy of sales slip or invoice). If inspection confirms the defect, OMC will repair or replace such part in accordance with the terms of the warranty. On receipt of letter or fax (not by phone) OMC may, at is option, not require part or parts to be returned.

## OUTSIDE NORTH AMERICA:

The above warranty is administered by the OMC distributor in your country. Contact your dealer for the name of your OMC distributor.

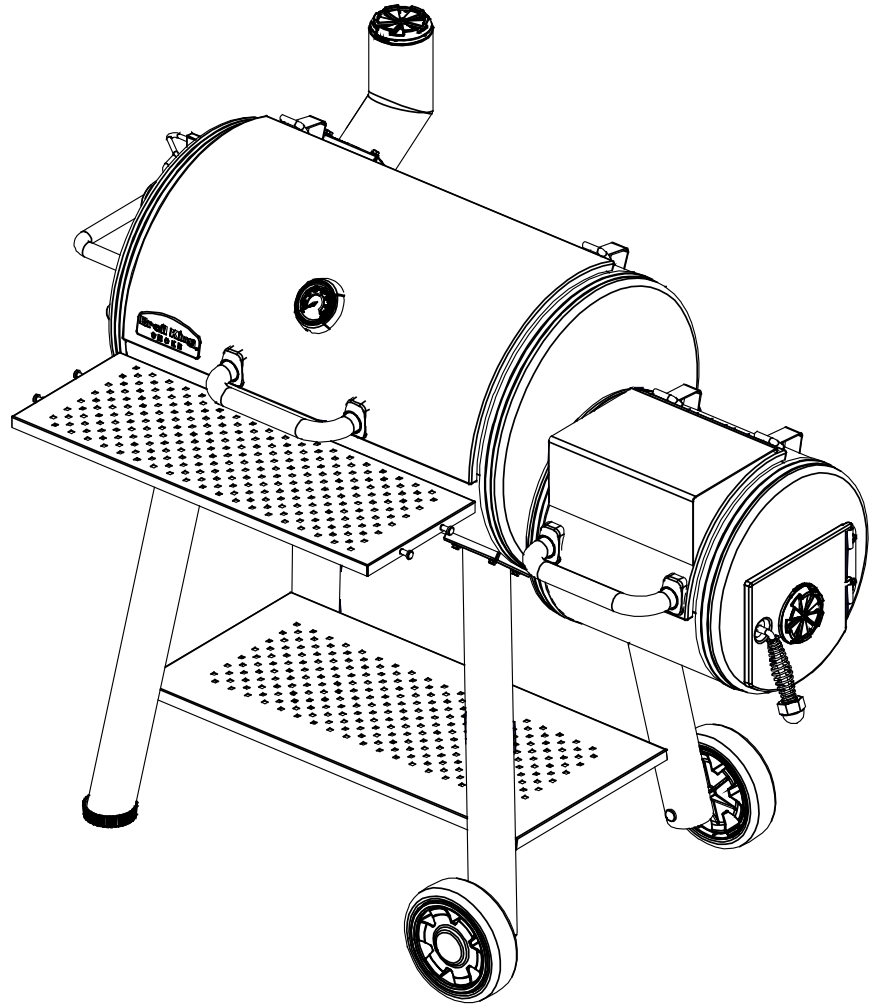
# Broil King®

## GUIDE DE L'UTILISATEUR

POUR UTILISATION AVEC  
Fumoir Décalé Smoke™ De Broil King®

### CONTENTS

INTRODUCTION.....	2
SÉCURITÉ.....	2
FUMOIR A CHAMBER SMOKE.....	3
CHARBON.....	4
COMMENCER.....	4
ALLUMAGE.....	5
UTILISATION.....	6
NETTOYAGE.....	8
RECETTES.....	9
GARANTIE.....	10



Ce guide de l'utilisateur contient des renseignements importants nécessaires pour l'assemblage correct et l'utilisation sécuritaire de l'appareil. Lisez et suivez tous les avertissements et directives en assemblant et utilisant l'appareil. Conserver ce guide pour des fins de référence ultérieure.

1-800-265-2150  
info@omcbbq.com

*Onward*  
MANUFACTURING COMPANY  
SINCE 1906  
585 KUMPF DRIVE LIMITED  
WATERLOO, ONTARIO, CANADA  
N2V 1K3

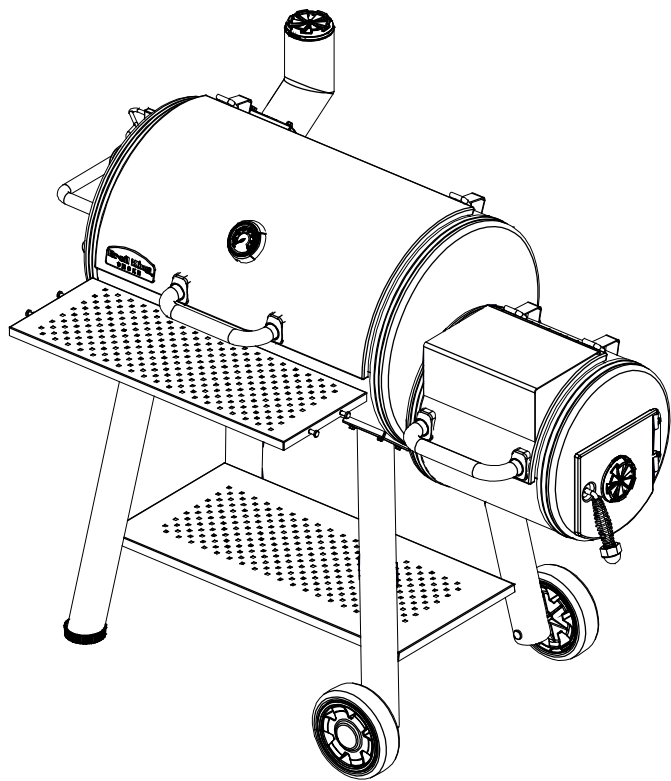
FR

# INTRODUCTION

## FUMOIR DÉCALÉ SMOKE™ DE BROIL KING®

Le fumoir décalé Smoke™ de Broil King® est conçu pour confectionner des aliments savoureux et les infuser d'une saveur de fumée véritable. Chacun des aspects de ce fumoir sont méticuleusement imaginés, et cette attention aux détails est évidente dans l'ensemble produit. De sa construction durable et ses accents stylisés, jusqu'à sa versatilité de cuisson exceptionnelle, Broil King® réunit toutes les caractéristiques dont vous recherchez dans un fumoir. De l'excellent nourrissage, des saveurs impressionnantes et des grillades exceptionnelles, chaque fois.

Votre fumoir décalé Smoke™ de Broil King® est équipé de registres d'entrée et d'évacuation Roto-Draft™ pour vous offrir un contrôle précis de la température. Il comprend également un registre interne entre la petite et grande chambre de cuisson. Cette fonction vous permet d'ajuster la taille de l'ouverture entre les chambres, vous procurant un contrôle maximum sous une variété de conditions de cuisson. Celle-ci vous aide également à réduire le temps de préchauffage et de refroidissement



### ⚠ AVERTISSEMENT!

**NE PAS UTILISÉ À PLUS DE 650°F/325°C**

**PLUSIEURS BREVETS EN INSTANCE**

# SÉCURITÉ

## ⚠ DANGER

- **Ce gril est conçu pour l'utilisation en extérieur seulement. S'il est utilisé à l'intérieur, des fumées toxiques s'accumuleront et pourront causer des blessures corporelles graves, voire la mort.**
- **Ne pas ajouter de l'essence ou du charbon imbibé d'essence à du charbon chaud ou tiède.**
- **Ne pas laisser les enfants ou les animaux s'approcher d'un gril chaud sans surveillance.**
- **Ne pas tenter de déplacer un gril chaud.**
- **Ne pas utiliser un gril à moins de cinq pieds de tout matériel combustible.**
- **Ne pas utiliser à moins que le gril soit complètement assemblé et que les pièces soient en place.**
- **Ne pas enlever les cendres jusqu'à ce que le charbon soit complètement brûlé et éteint.**
- **Ne pas utiliser le gril dans des conditions venteuses.**

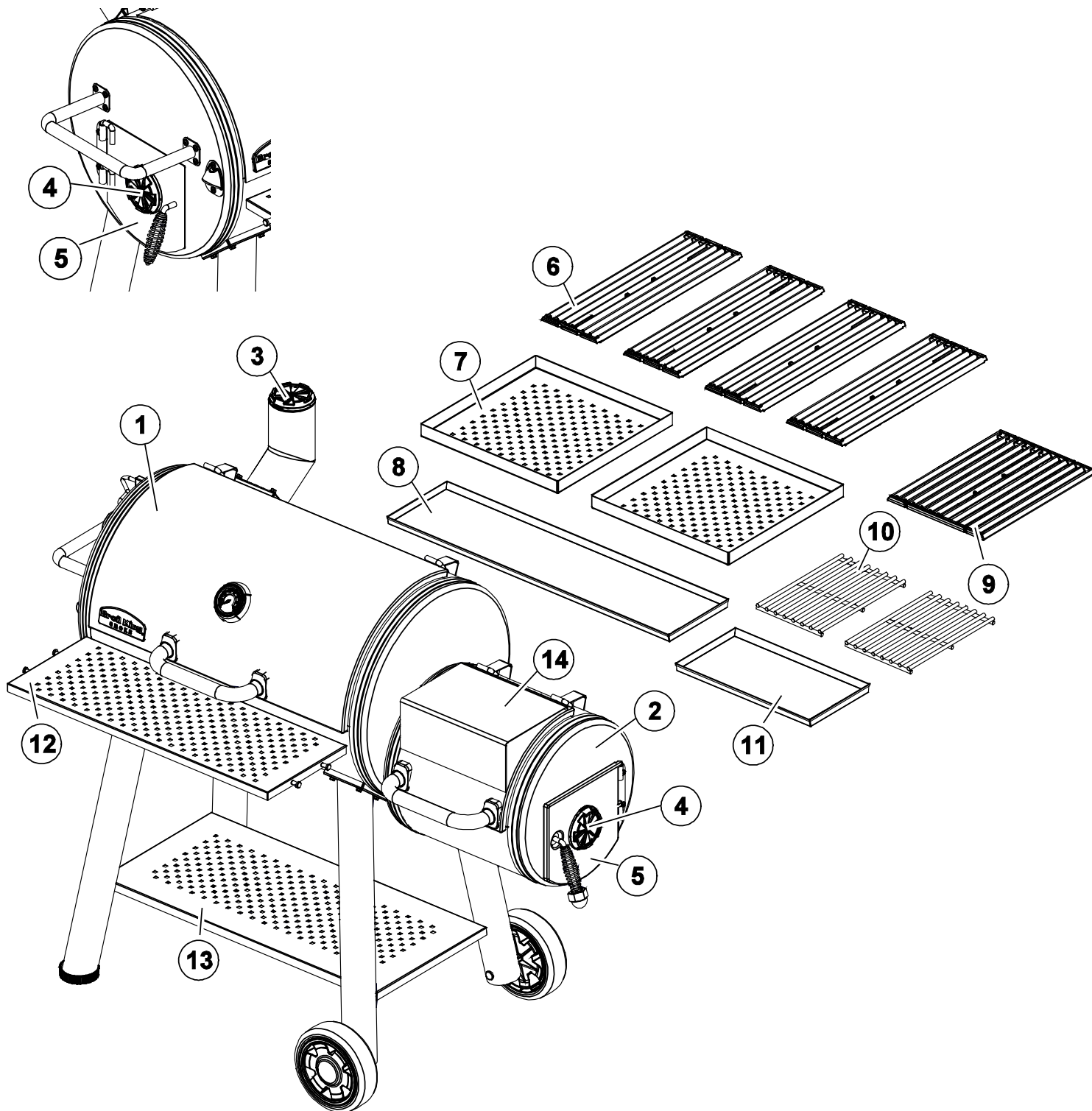
## ⚠ AVERTISSEMENT

- **Garder le gril sur une surface plane en tout temps.**
- **Toujours utiliser les plateaux et les grilles de charbon.**
- **Ne jamais toucher plateaux et les grilles de charbon pour voir s'ils sont chauds.**
- **Porter des gants de cuisine ou des protège-plat pour protéger vos mains lorsque vous cuisez ou ajustez les registres.**
- **Vous servir d'outils de grillade appropriés avec des poignées longues et résistantes à la chaleur.**
- **Pour éteindre les charbons, fermez complètement les portes et les registres. Ne pas utiliser de l'eau, car cette dernière risque d'endommager la finition du fumoir.**
- **Attention! Ne pas brûler de charbon de bois dans les deux chambres de cuisson en même temps.**
- **Attention! Ne pas utiliser d'alcool ou d'essence pour allumer ou raviver le barbecue. Utiliser seulement des allumes feu certifiés EN 1860-3!**
- **Attention! gardez les enfants et les animaux à bonne distance du barbecue.**

**Le non-respect de ces consignes et avertissements peut mener à des blessures graves, voire la mort, ou à un incendie ou explosion grave pouvant endommager la propriété.**

# FUMOIR DÉCALÉ SMOKE™ DE BROIL KING®

1. Chambre principale
2. Chambre à feu
3. Registre d'évacuation Roto Draft™
4. Registre d'entrée Roto Draft™
5. Porte de nettoyage
6. Grilles en fonte reversibles-grande chambre de cuisson
7. Plateaux de diffusion de fumée
8. Plateau de cendres-grande chambre de cuisson
9. Grilles en fonte réversibles-petite chambre de cuisson
10. Grilles de charbon
11. Plateau de cendres-petite chambre de cuisson
12. Étagère de cuisson
13. Étagère inférieure
14. Étagère de chauffage
15. Registre interne





## CHARBON NATUREL EN BLOCS

Charbon naturel en blocs – votre fumoir décalé Smoke™ de Broil King® fonctionnera sur divers types de carburant, y compris les briquettes de charbon et même les copeaux de bois; par contre, il fonctionne idéalement avec le charbon de bois en blocs de Broil King®. Le charbon naturel en blocs de bonne qualité ne contient aucun produit chimique, additif, ni agent de densification. Cela signifie que le feu brûle plus intensément et proprement, et qu'il crée moins de cendres que les briquettes de charbon. Le charbon de bois en blocs de Broil King® (#TCF5506) est recommandé.

## CUIRE AVEC DES COPEAUX DE BOIS

Les copeaux de bois sont une excellente source de carburant pour votre fumoir décalé. Ils produisent un intense éclat de chaleur et de saveur. En vous servant d'une combinaison de charbon et de copeaux de bois, vous pouvez créer un feu substantiel dans la chambre de cuisson. Des copeaux de bois trempés produiront de la fumée pendant plus longtemps. Nous vous recommandons de vérifier le feu toutes les heures pendant le processus de cuisson. Ajoutez du charbon et du bois au besoin, afin de maintenir la température de cuisson désirée.

## BÂTONNETS ALLUME-FEU

Il est préférable d'utiliser des bâtonnets/cubes allume-feu fabriqués de produits naturels. Les cheminées de démarrage au charbon ou les allume-feu au charbon électriques fonctionnent également bien. Évitez d'utiliser de l'essence à briquet, car celle-ci confèrera une saveur artificielle aux aliments.

Retirez les grilles, les plateaux de diffusion et les plateaux de cendres; lavez-les complètement dans de l'eau tiède et savonneuse. Rincez-les complètement et séchez-les avec une serviette douce – ne les laissez pas sécher à l'air, et ne les mettez jamais au lave-vaisselle.

## ASSAISONNEMENT DE VOS GRILLES DE CUISSON EN FONTE:

Huilez vos grilles de cuisson en fonte avec de l'huile d'olive ou de pépins de raisins. Servez-vous d'une serviette de papier ou d'un linge pour couvrir tous les bords. Dans votre fumoir ou four, cuisez les grilles de cuisson à 400°F (205°C) pendant un maximum de 1 heure. Laissez-les refroidir, et réinstallez-les ensuite dans la fumoir.

## 'BRÛLAGE' INITIAL

Avant de cuire sur votre fumoir décalé Smoke™ de Broil King®, vous devez brûler les résidus protectifs accumulés lors du processus de fabrication. Allumez votre fumoir tel qu'indiqué à la page 15; laissez le feu brûler pendant au moins une heure avec les registres d'entrée et d'évacuation ouverts. Ceci préviendra le durcissement des composantes internes du fumoir. Plus vous utilisez votre fumoir, plus l'assaisonnement sera délicieux.

## ⚠ AVERTISSEMENT

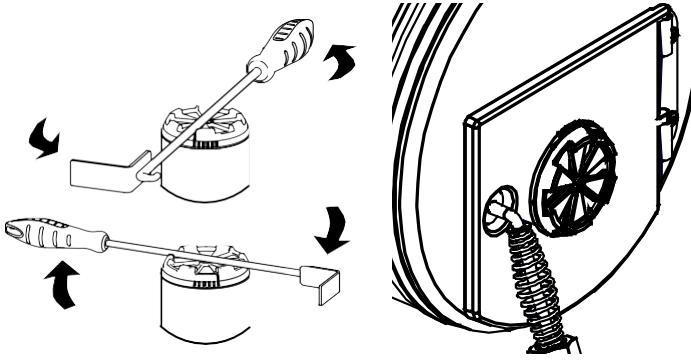
Toujours être prudent(e) en ouvrant la porte d'accès de la chambre à feu. Ouvrez légèrement la porte, et attendez 5 secondes avant de l'ouvrir complètement. Ceci permettra à la chaleur autour du plateau de charbon de s'échapper et limitera les chances d'une poussée de flammes.

# ALLUMAGE

## POUR FUMAGE/CUISSON INDIRECTE (UTILISER LA PETITE CHAMBRE COMME CHAMBRE À FEU)

### Étape 1:

Mettez les registres d'entrée et d'évacuation Roto DraftMC dans la position 5 (complètement ouverts) afin de laisser entrer le maximum d'air pour alimenter le feu.



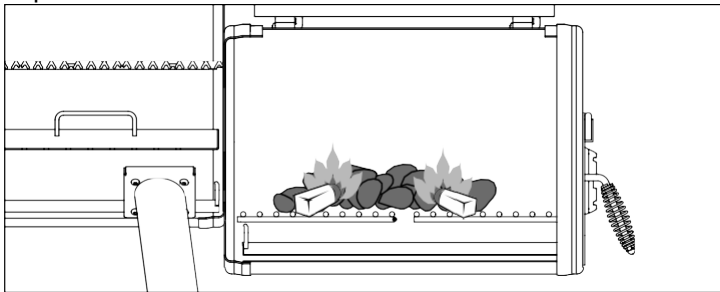
Lorsque vous préchauffez votre fumoir, ouvrez le registre interne complètement à l'aide du multi-outil inclus (# d'article KA5527). À mesure que le fumoir approche la température souhaitée, abaissez le registre interne à l'aide du multi-outil sous le niveau des diffuseurs de fumée. Ceci repoussera la majorité de l'air chaud et de la fumée en-dessous des plateaux de diffusion pour un fumage uniforme.

### Étape 2:

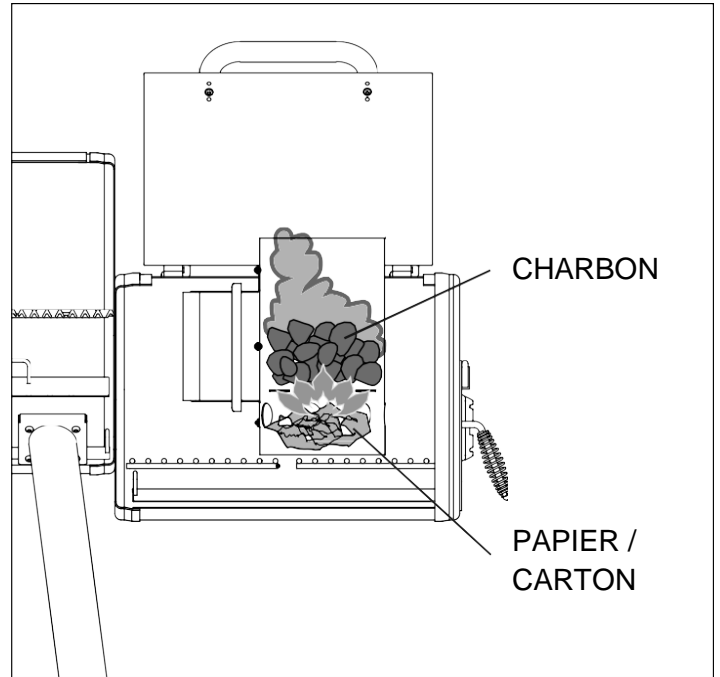
Ouvrez le couvercle de la petite chambre de cuisson, retirez les grilles de cuisson à l'aide du lève-grille fourni (Article #60750), et remplissez le plateau d'environ 4 lb de charbon de bois en blocs. Lorsque vous vous familiarisez avec le fumoir décalé Smoke™ de Broil King®, vous pourrez mieux savoir combien de charbon est nécessaire pour les différentes durées et températures de cuisson.

### Étape 3: Lighting

Si vous utilisez des bâtonnets allume-feu, allumez-les et placez-les à deux ou trois endroits dans la partie supérieure du lit de charbon.

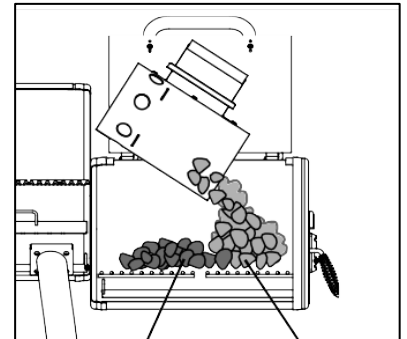


Si vous utilisez une cheminée de démarrage en acier inoxydable, remplissez la cheminée de démarrage Broil King® (article # 63980) de charbon. Remplissez le fond de la cheminée de démarrage d'un ou deux morceaux de papier journal. Placez la cheminée de démarrage sur le plateau de charbon dans la chambre à feu. Une fois le charbon enflammé, déposez prudemment le plateau sur le charbon non-enflammé. En plaçant le charbon enflammé près du registre d'entrée, vous encouragerez le feu à brûler plus uniformément dans la chambre à feu.



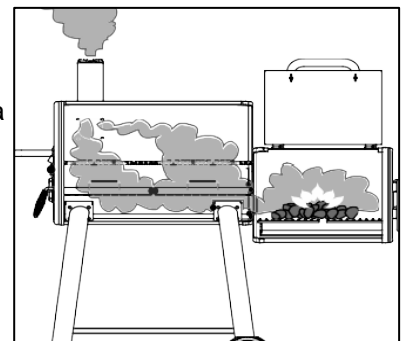
### Étape 4:

Permet d'allumer le charbon avec la porte à feu ouverte jusqu'à ce qu'il soit enflammé.



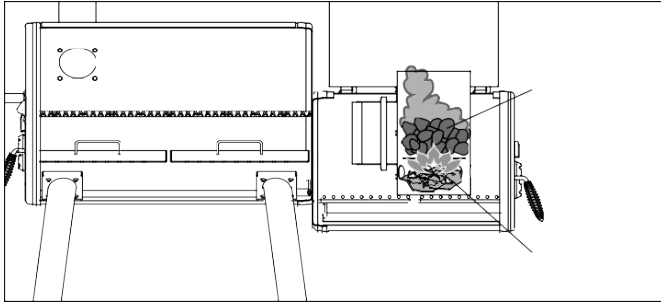
### Étape 5:

Ajustez les registres pour réaliser la température souhaitée - commencez à fermer les registres à 50 degrés avant d'atteindre la température ciblée.



# ALLUMAGE

## POUR LA GRILLADE DIRECTE (UTILISANT LA CHAMBRE DE CUISSON PRINCIPALE COMME GRIL DE CHARBON)



Suivez les directives d'allumage ci-dessus, mais remplissez les plateaux de diffusion dans la grande chambre à cuisson de charbon enflammé, positionnez-les à une profondeur uniforme, et contrôlez la température à l'aide des registres d'entrée et d'évacuation. Il est préférable d'utiliser la cheminée de démarrage pour enflammer de grands volumes de charbon. Une fois enflammés, déposez les charbons sur les plateaux, et repositionnez les grilles de cuisson à l'aide du lève-grille fourni. Avis : Plus le charbon est exposé à l'air, plus il devient chaud – gardez le couvercle levé en grillant afin de réaliser une chaleur plus intense.

### ARRÊT:

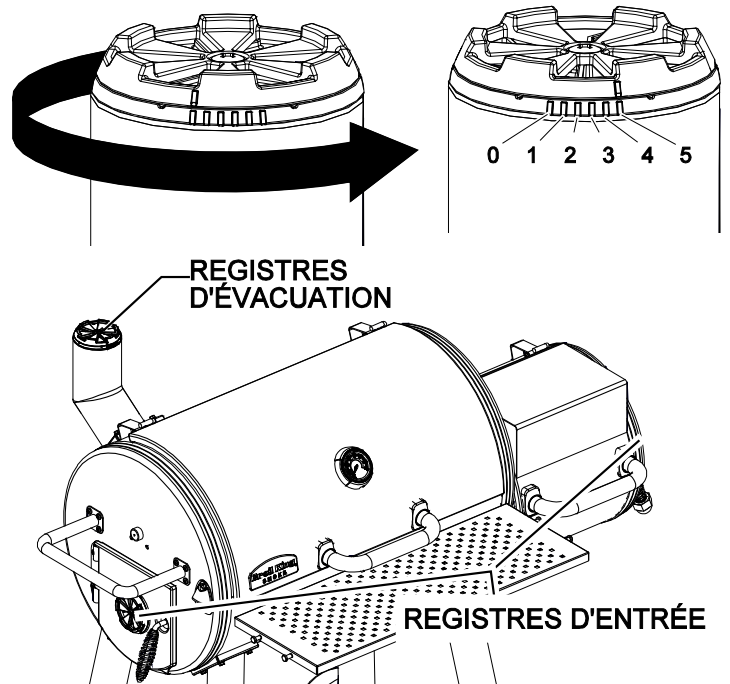
Lorsque vous êtes prêt(e) à éteindre le fumoir décalé Smoke™ de Broil King®, fermez les afin d'étouffer le feu complètement.

# UTILISATION

## CONTRÔLE DE LA TEMPÉRATURE:

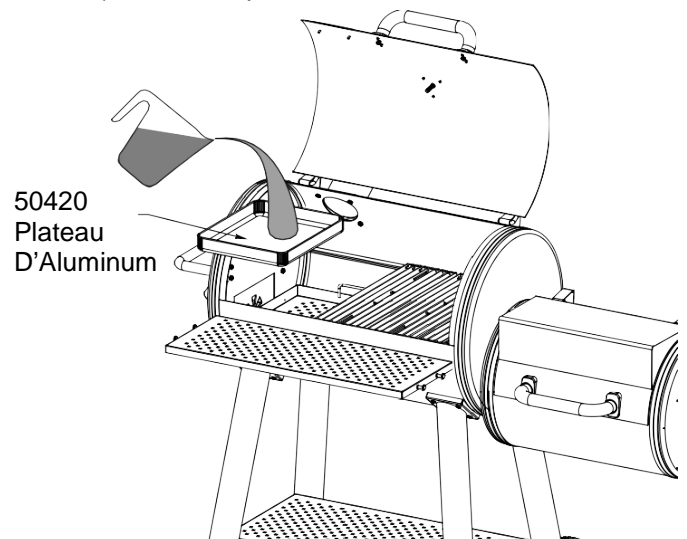
Le fumoir décalé SmokeMC de Broil KingMD vous permet de contrôler la température de cuisson en régulant le flux d'air circulant à travers des registres d'entrée et d'évacuation. Plus vous ouvrez les registres, plus l'air circule entre les charbons. Plus l'air circule entre les charbons, plus la température augmentera. De petits ajustements peuvent faire une grande différence au niveau de la température de cuisson.

Ajustez les registres Roto Draft™ à l'aide du multi-outil fourni.



## PLAT D'EAU:

Étant donné le montant d'air qui circule au cours des durées de cuisson de plus de 3 heures, il peut être préférable d'ajouter un plat d'eau dans la chambre principale afin de prévenir l'assèchement des aliments. Les égouttoirs en aluminium jetables (Article #50420) sont utiles pour ces fins.





# UTILISATION

## TECHNIQUES:

### Fumage: Moins de 275°F (135°C)

Ce type de grillade implique la cuisson indirecte de grandes coupes de viande à de basses températures (soit moins de 275°F (135°C) pour une période de temps relativement longue - souvent 4 heures ou plus). Le charbon et les copeaux de bois infusent les viandes cuites et les autres aliments cuits lentement d'une saveur de barbecue fumé, et produisent des viandes incroyablement tendres.

### Rôtissage Smoke™: 275°F - 400°F (135°C - 205°C)

Aussi connu comme la grillade indirecte, le rôtissage à la fumée nécessite une configuration semblable à celle du fumage; il s'agit d'une version accélérée des mêmes principes. Cette méthode fonctionne très bien pour les rôis conventionnels, les poulets et les aliments que l'on rôit fréquemment au four. La combinaison de fumée et de temps de cuisson crée une excellente saveur dans des délais plus courts que le fumage véritable.

### Conseils et astuces pour le fumage et le rôtissage à la fumée:

En raison de la construction des fumoirs décalés, le côté de la chambre de cuisson qui est plus près du feu (côté droit) peut être plus chaud que l'extrémité opposée (côté gauche) – il est préférable de créer un petit feu pour préchauffer votre fumoir décalé et favoriser une cuisson encore plus uniforme.

### Grillade directe: 400°F or more (205°C)

Directe – c'est à dire directement au-dessus du charbon et des copeaux de bois enflammés. Cette méthode est au cœur de la grillade en arrière-cour. Idéale pour les petits aliments - biftecks, filets, hamburgers, légumes. La chaleur intense saisit l'extérieur tout en cuisant l'intérieur.

Pour des renseignements additionnels, veuillez visiter [www.broilkingbbq.com](http://www.broilkingbbq.com)



## Le guide de grillade des biftecks parfaits

### Ingredients

- 4 biftecks (préférentiellement contrefilet New York), épaisseur de 1 po
- 2 gousses d'ail hachées ou pressées
- 2 c. à soupe de sauce Worcestershire
- 2 c. à soupe de vinaigre balsamique et de poivre fraîchement moulu
- 2 c. à thé de moutarde Dijon
- 2 c. à soupe de sauce soja
- 2 c. à soupe d'huile d'olive

### Préparer les biftecks

Enlevez l'excès de gras des biftecks. Dans un sac de plastique robuste et refermable, combinez les ingrédients restants. Marinez les biftecks pendant 1 heure à la température ambiante, ou pendant 24 heures dans le réfrigérateur. Si vous les réfrigérez, laissez les biftecks chauffer à la température ambiante pendant 1 heure avant de les griller, afin d'assurer une cuisson plus uniforme.

### CONSEILS POUR UNE GRILLADE PARFAITE

- A. Huilez les grilles avec de l'huile végétale ou d'olive, et préchauffez le gril à 450 OF/275 OC. Placez les aliments sur le gril à un angle de 45 degrés, et cuisez-les selon les temps de cuisson dans le tableau ci-dessous.
- B. Retournez les biftecks, les plaçant encore une fois à un angle de 45 degrés.
- C. Retournez les biftecks et grillez-les à 45 degrés dans le sens opposé.
- D. Finalement, retournez les biftecks et grillez-les au même angle de 45 degrés.

## GUIDE POUR LA GRILLADE DU BIFTECK PARFAIT

DÉPOSEZ LE BIFTECK À ANGLE SUR UNE GRILLE CHAUDE.

2 min.

RETOURNEZ LE BIFTECK COMME ILLUSTRÉ CI-DESSOUS.

2 min.

RETOURNEZ LE BIFTECK UNE DEUXIÈME FOIS.

2 min.

RETOURNEZ LE BIFTECK UNE DERNIÈRE FOIS.

2 min.

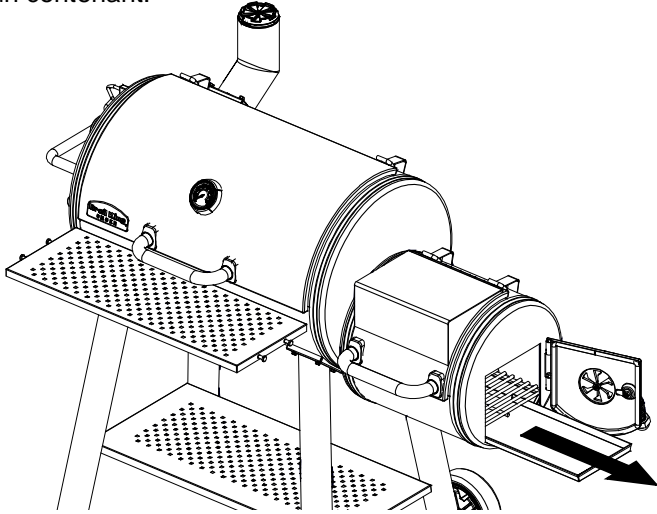
Épaisseur de la viande		Réglage de chaleur	Temps de cuisson par côté				Temps total
1 1/2"	1"	Haut	A	B	C	D	
	Rare	Haut	1 1/4	1 1/4	1 1/4	1 1/4	7 minutes
Saignant	Mi-saignant	Moyen/Haut	2	2	2	2	8 minutes
Mi-saignant	Moyen	Moyen/Haut	2 1/4	2 1/4	2 1/4	2 1/4	9 minutes
Moyen	Bien cuit	Moyen	2 1/2	2 1/2	2 1/2	2 1/2	10 minutes
Bien cuit		Moyen	3	3	3	3	12 minutes

# NETTOYAGE

---

## NETTOYAGE

Il est nécessaire de vider les plateaux à cendres après chaque session de cuisson. Une fois refroidies, ouvrez les portes d'accès de la chambre à feu et retirez le plateau à cendres avec soin. Videz- le dans un seau ou un contenant.



## SOIN ET ENTRETIEN

Le fumoir décalé Smoke™ de Broil King® vous procurera plusieurs années de fonctionnement fiable avec très peu d'entretien. Le processus d'assaisonnement aidera à préserver les composantes internes en acier. Servez-vous d'une brosse en acier inoxydable pour nettoyer les grilles de cuisson et les composantes souillées.

Il peut être nécessaire de nettoyer et d'assaisonner vos grilles de cuisson de nouveau. Nettoyez-les avec une brosse en acier inoxydable afin d'enlever les débris, et appliquez une mince couche d'huile d'olive ou de pépins de raisins. Installez ensuite les grilles de cuisson dans votre fumoir et cuisez-les à 400°F (205°C) pendant 1 heure. Répétez au besoin. Cette couche d'huile protégera vos grilles de cuisson et vous procurera plusieurs années d'utilisation sans soucis.

Nettoyez la surface extérieure de l'appareil avec de l'eau chaude et savonneuse.

Pour nettoyer l'intérieur, servez-vous d'une brosse à grill métallique pour enlever les débris de la chambre de cuisson. La couche d'huile qui s'accumule à l'intérieur du fumoir - soit l'assaisonnement - agit comme couche protectrice et ne doit pas être nettoyée fréquemment.

Toujours couvrir votre fumoir décalé Smoke™ de Broil King® lorsque vous ne l'utilisez pas – servez-vous de la housse Broil KingMD #67050

# RECETTES

---

## APPRÊT BBQ

- 2 c. à table de cassonade
- 1 c. à thé de sel Kasher
- 1 c. à thé de poivre fraîchement moulu
- 1 c. à table de cumin
- 2 c. à thé de moutarde sèche
- 2 c. à thé de paprika
- 2 c. à table de chili en poudre
- 1 c. à thé de sel d'oignon
- 1 c. à thé de sel de céleri
- 1 c. à thé de poudre d'ail
- 1 c. à table d'origan

## POULET FUMÉ

- Préchauffez le gril à 275°F (135°C)
- 1 poulet entier, séparé, ou pièces de poulet – cuisses, ailes, pilons, jusqu'à 5 lb
- Couvrez les pièces de poulet d'un apprêt BBQ tout-usage, et laissez-les reposer pendant 30 minutes
- Placez le plat d'eau dans le fumoir
- Ajoutez une poignée de copeaux de pommier ou autre au charbon enflammé
- Déposez le poulet sur les grilles de cuisson
- Cuisez pendant 2,5 – 4 heures
- La température interne doit atteindre 165°F (74°C)
- Couvrez et laissez reposer pendant 10 minutes
- Servez et dégustez

## CÔTES LEVÉES

- Préchauffez le gril à 250°F (121°C)
- 4 carrés de côtes de porc
- Pelez la membrane des côtes
- Assaisonnez généreusement avec de l'apprêt BBQ
- Placez le plat d'eau rempli de jus de pomme dans le fumoir
- Ajoutez une poignée de copeaux de pommier ou autre au charbon enflammé
- Déposez les côtes levées sur les grilles de cuisson ou sur le support de côtes fourni
- Cuisez pendant 3 – 4 heures
- Ajoutez de la sauce BBQ vous le souhaitez, et cuisez dans votre gril à gaz à 400°F pendant 10 - 20 minutes.
- Retirez les côtes du fumoir, et laissez-les reposer pendant 10 minutes
- Servez et dégustez

## PORC EFFILOCHÉ

- Préchauffez le gril à 225°F (107°C)
- Épaule de porc de 4 – 15 lb (les plus petites coupes sont souvent appelées Palette de boston ou Épaule piquenique)
- Assaisonnez généreusement avec de l'apprêt BBQ
- Placez le plat d'eau rempli de jus de pomme dans le fumoir, et déposez l'épaule de porc au-dessus du plat
- Ajoutez une poignée de copeaux de pommier ou autre au charbon enflammé
- Déposez l'épaule de porc sur les grilles de cuisson
- Cuisez pendant 4 heures ou plus, ou jusqu'à ce que la viande atteigne une température interne d'au moins 185°F (85°C)
- Retirez l'épaule de porc du fumoir, et laissez-la reposer pendant 30 minutes
- Effilochez le porc à l'aide de la spatule Super Flipper de Broil King® (#64011) ou des griffes à viande de Broil King® (#64070)
- Appliquez de la sauce si vous le souhaitez
- Servez et dégustez

# GARANTIE

## GARANTIE ET SERVICE À LA CLIENTÈLE

La garantie d'OMC entre en vigueur à compter de la date d'achat, et se limite à la réparation ou au remplacement gratuit(e) des pièces qui s'avèrent être défectueuses sous des conditions d'utilisation domestique normales.

Au Canada et aux États-Unis, les pièces de remplacement sont expédiées FOB usine. Dans tous les autres pays, elles sont expédiées FOB le Distributeur OMC (veuillez consulter votre concessionnaire pour le nom du distributeur OMC).

Tous les autres coûts sont la responsabilité du propriétaire.

Cette garantie n'est accordée qu'à l'acheteur original indiqué sur le formulaire d'enregistrement de la garantie, et ne s'applique qu'aux produits vendus au détail et utilisés dans le pays d'achat. (Les différents types d'alimentation en gaz nécessitent de différents régulateurs, valves et orifices).

## CE QUI EST COUVERT PAR LA GARANTIE:

Chambre de cuisson avec revêtement résistant à la chaleur	5 ans
Autres pièces et peinture	2 ans

## CE QUI N'EST PAS COUVERT PAR LA GARANTIE:

- Toutes défaillances ou difficultés au niveau du fonctionnement causées par un accident, l'abus, une mauvaise utilisation, une modification, une mauvaise application, le vandalisme, une mauvaise installation, l'entretien/le service incorrect, ou un manquement à fournir l'entretien régulier, y compris sans limitations les dommages causés par les insectes dans les brûleurs, tel qu'indiqué dans le guide de l'utilisateur.
- La détérioration ou les dommages causés par les intempéries telles que la grêle, les ouragans, les tremblements de terre ou les tornades, la décoloration suite à l'exposition directe ou indirecte aux produits chimiques.
- Coûts d'expédition ou de transport.
- Coûts d'enlèvement ou de réinstallation.
- Coûts de main d'œuvre pour l'installation et les réparations.
- Coûts des appels de service.
- Responsabilité pour les dommages indirects ou consécutifs.

## PIÈCES DE REMPLACEMENT

Les "pièces de remplacement OMC véritables" doivent toujours être utilisées en cas de remplacement. L'installation de différentes pièces annulera automatiquement la garantie ci-dessus.

## RÉCLAMATIONS DE GARANTIE

Toutes les réclamations de garantie sont traitées directement par OMC. Les pièces doivent être renvoyées au Service de la garantie d'OMC, les frais d'expédition prépayés, accompagnées du n<sup>o</sup> de modèle et de série, et si votre gril n'est pas enregistré, de la preuve d'achat (copie du reçu de vente ou de la facture). Dans le cas où l'inspection confirme une défaillance, OMC réparera ou remplacera la pièce en question selon les provisions de la garantie. Sur la réception d'une lettre ou d'une télécopie (non par téléphone) et à sa propre discrétion, OMC peut choisir de ne pas exiger le renvoi des pièces.

## À L'EXTÉRIEUR DE L'AMÉRIQUE DU NORD

La garantie ci-dessus est administrée par le distributeur OMC dans votre pays. Veuillez contacter le détaillant pour savoir le nom de votre distributeur OMC.

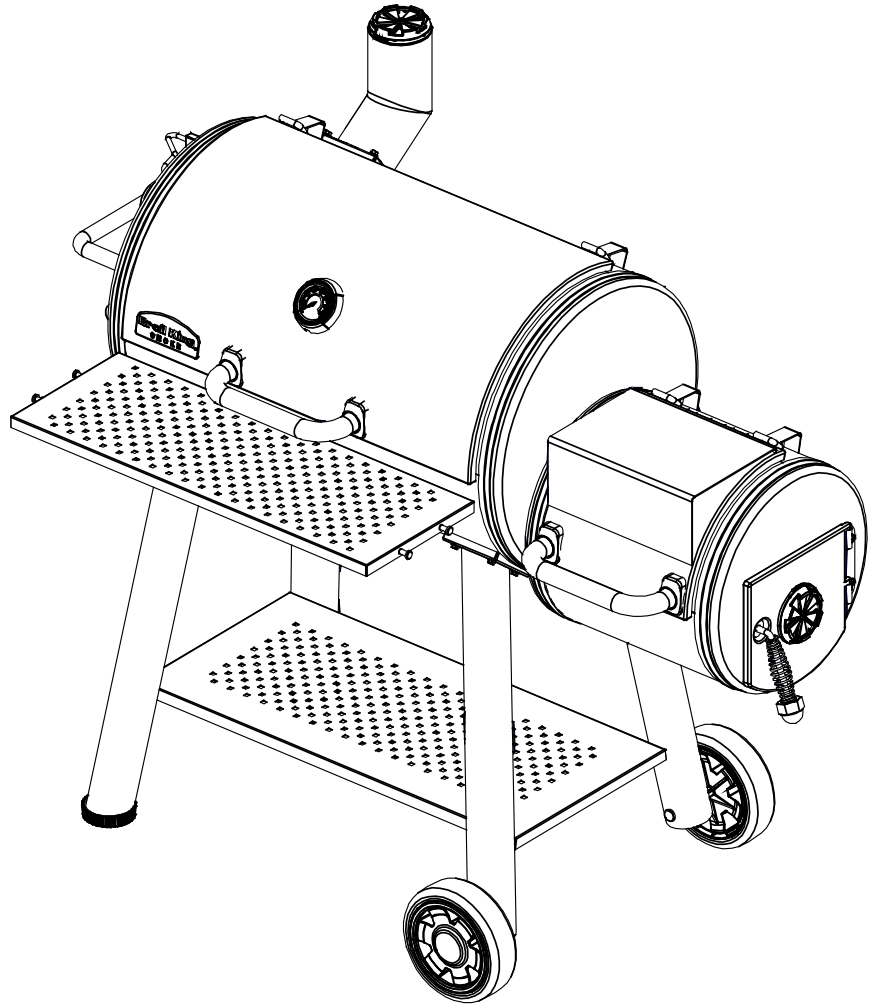
# Broil King®

## MANUAL DEL USUARIO

PARA USO CON  
Ahumador De Doble Barril Broil King® Smoke™

### CONTENTS

INTRODUCCIÓN.....	2
SEGURIDAD .....	2
ACERCA DE SU AHUMADOR.....	3
CARBÓN .....	4
INTRODUCCIÓN.....	4
ENCENDIDO .....	5
OPERACIÓN.....	6
MANTENIMIENTO .....	8
RECETAS.....	9
GARANTIA.....	10



Este manual de instrucciones contiene información importante y necesaria para el armado correcto y el uso seguro de este artefacto. Lea y siga todas las advertencias e instrucciones antes de armar y usar este artefacto. Siga todas las advertencias e instrucciones al usar este artefacto. Guarde este manual para futura referencia.

1-800-265-2150  
info@omcbbq.com

*Onward*  
MANUFACTURING COMPANY  
585 KUMPF DRIVE  
WATERLOO, ONTARIO, CANADA  
N2V 1K3

SINCE 1906  
LIMITED

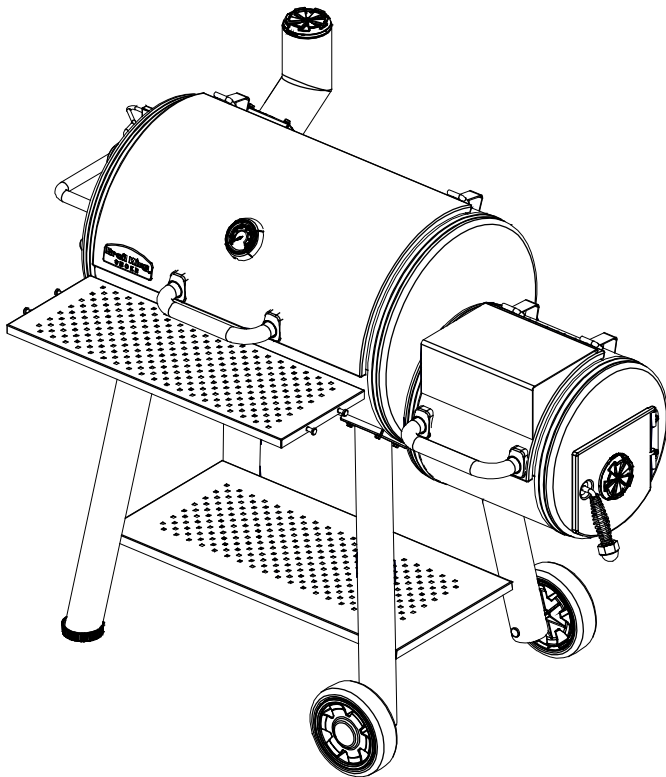
ES

# INTRODUCCIÓN

## AHUMADOR DE DOBLE BARRIL BROIL KING® SMOKE™

El ahumador de doble barril Broil King® Smoke™ está diseñado para crear comidas con delicioso y auténtico sabor ahumado. Cada detalle de este ahumador ha sido diseñado con precisión, sus minuciosos detalles son evidentes a lo largo de todo el producto. Desde su construcción duradera y detalles elegantes hasta su excepcional versatilidad para cocinar, Broil King® lo tiene todo. Excelente comida, excelente sabor, excelente asado todas las veces.

Su ahumador de doble barril Broil King® Smoke™ está equipado con ventilaciones de entrada y salida Roto-Draft™ para brindarle un control preciso de la temperatura. También incluye una ventilación interna entre la caja de cocción grande y la pequeña. Esto le permite ajustar el tamaño de la abertura entre ambas cámaras, permitiendo el máximo control ante una variedad de condiciones de cocción y ayuda a reducir los tiempos de precalentamiento y de enfriamiento.



### ⚠️ ADVERTENCIA!

**NO LA USE A MÁS DE 650°F / 325°C**

**MÚLTIPLES PATENTES PENDIENTES**

# SEGURIDAD

## ⚠️ PELIGRO

- Esta parrilla está diseñada para sólo uso exterior. Si se utiliza en el interior, los gases tóxicos se acumularán y podría causar serias lesiones corporales o hasta la muerte.
- No agregue líquido para encender el carbón o carbón impregnado en ese líquido ya sea en carbones calientes como tibios.
- Siempre esté atento a los niños o las mascotas que están cerca de la parrilla caliente.
- No intente mover una parrilla caliente.
- No utilice la parrilla si está a una distancia de cinco pies (1,50 m) de cualquier material combustible.
- No utilice la parrilla a menos que esté completamente armada con todas las piezas en su lugar.
- No retire las cenizas hasta que el carbón se haya quemado por completo y esté apagado.
- No utilice la parrilla cuando hay vientos fuertes.

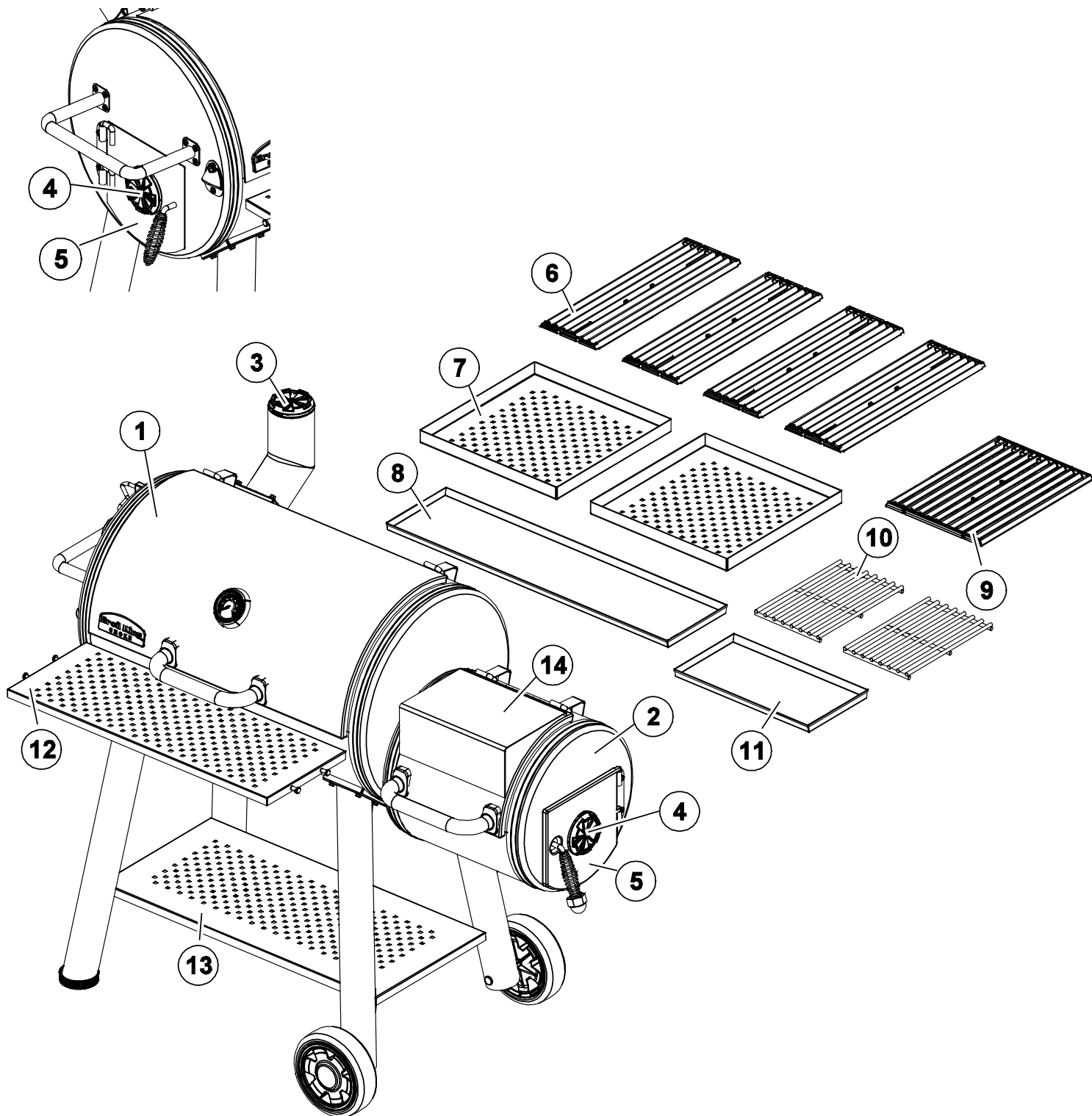
## ⚠️ ADVERTENCIA

- Mantenga la parrilla nivelada todo el tiempo.
- Use siempre bandejas y rejillas para carbón.
- Nunca toque la bandeja o la rejilla para el carbón para ver si están calientes.
- Para trabajar con la parrilla utilice manoplas o apósitos calientes para proteger las manos mientras está cocinando o al ajustar las ventilaciones.
- Utilice las herramientas adecuadas para la parrilla con manijas largas, resistentes al calor.
- Para apagar el carbón, cierre las tapas y ambas ventilaciones por completo. No utilice agua porque podría dañar el acabado del ahumador.
- Advertencia! No queme carbón en ambas cámaras de cocción al mismo tiempo.
- Advertencia! No utilice alcoholes o petróleo para el encendido o reencendido! Utilice sólo encendedores de acuerdo a EN 1860-3!
- Advertencia! Mantenga niños y mascotas alejados.

Si no tiene en cuenta estas advertencias peligrosas puede causar serias lesiones o la muerte, o provocar un incendio o una explosión y como consecuencia daños materiales.

# AHUMADOR DE DOBLE BARRIL BROIL KING® SMOKE™

1. Cámara principal
2. Cámara del fuego
3. Ventilación de salida Roto-Draft™
4. Ventilación de entrada Roto-Draft™
5. Puerta de limpieza
6. Rejillas reversibles de fundición - Caja de cocción grande
7. Bandejas difusoras de humo
8. Bandeja para cenizas - Caja de cocción grande
9. Rejillas reversibles de fundición - Caja de cocción pequeña
10. Rejillas para carbón
11. Bandeja para cenizas - Caja de cocción pequeña
12. Estante de trabajo
13. Estante inferior
14. Estante calentador
15. Ventilación interna



# CARBÓN



## TROZOS NATURALES DE CARBÓN

Trozos naturales de carbón - Su ahumador de doble barril Broil King® Smoke™ puede funcionar con muchos tipos de combustible, incluyendo las tradicionales briquetas de carbón e incluso con trozos de madera, sin embargo, funciona mejor con los Trozos de carbón de madera dura Broil King®. El buen carbón natural no contiene productos químicos, aditivos ni rellenos. Esto hace que el fuego sea más caliente, limpio y que produzca menos cenizas que con las briquetas de carbón. Le recomendamos los Trozos de carbón de madera dura Broil King® (# TCF5506).

## COCINANDO CON TROZOS DE MADERA

Los trozos de madera son una maravillosa fuente de combustible para su ahumador, brindando una poderosa fuente de calor y sabor. Usando una combinación de carbón y trozos de madera puede construir un fuego importante en la caja del fuego. El usar trocitos o pedazos de madera humedecida proporcionará humo durante mucho tiempo. Le recomendamos revisar el fuego cada hora durante el proceso de cocción. Agregue carbón y madera como sea necesario para mantener la temperatura deseada de cocción.

## PALILLOS ENCENDEDORES

Encendedores - Los palillos /cubos encendedores hechos de productos naturales funcionan mejor. Las chimeneas para encender carbón o los encendedores eléctricos para carbón también funcionan bien. Evite utilizar líquido para encender el carbón ya que aporta un sabor artificial al área de cocción.

# INTRODUCCIÓN

Remueva las rejillas, bandejas difusoras y para las cenizas, lávelas con agua tibia y jabón. Enjuáguelas muy bien y séquelas con una toalla suave. No las deje secar al aire y nunca las coloque en el lavaplatos.

## ACONDICIONANDO SUS REJILLAS DE COCCIÓN DE HIERRO FUNDIDO:

Cubra sus rejillas de cocina de hierro fundido con aceite de oliva o aceite de semilla de uva. Utilice una toalla de papel o un paño para cubrir la cubierta de todos los bordes. En su ahumador o horno, hornee las rejillas de cocción a 400°F (205°C) durante un máximo de 1 hora. Enfriar y colocar en el fumador para su uso.

## “ACONDICIONAMIENTO” INICIAL

Antes de empezar a cocinar en su ahumador de doble barril Broil King® SmokeMR tiene que quemar los residuos protectores del proceso de fabricación. Encienda su ahumador, como se indica en la página 25 - Encendiendo su ahumador, y mantenga un fuego con ambas ventilaciones (de entrada y de salida) completamente abiertas durante una hora como mínimo. Esto eliminará todo el recubrimiento protector del proceso de fabricación y comenzará a ahumar los componentes internos del ahumador. Cuanto más use su ahumador, mejor acondicionado estará.

## ⚠️ ADVERTENCIA

Tenga siempre cuidado al abrir la puerta de acceso de la caja del fuego. Abra cuidadosamente un poquito la puerta y espere 5 segundos antes de abrirla del todo. Esto permite que salga algo del calor atrapado alrededor de la bandeja del carbón y limita la posibilidad de una llamarada.

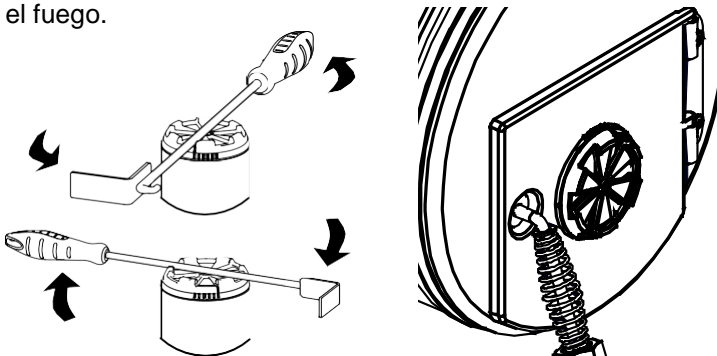


# ENCENDIDO

## PARA AHUMAR / COCCIÓN INDIRECTA (UTILIZANDO LA CÁMARA PEQUEÑA COMO CAJA DEL FUEGO)

### Paso 1:

Coloque las ventilaciones Roto-DraftMR de entrada y de salida en la posición 5 (completamente abiertas) para dejar que entre la mayor cantidad de aire posible y así encender el fuego.



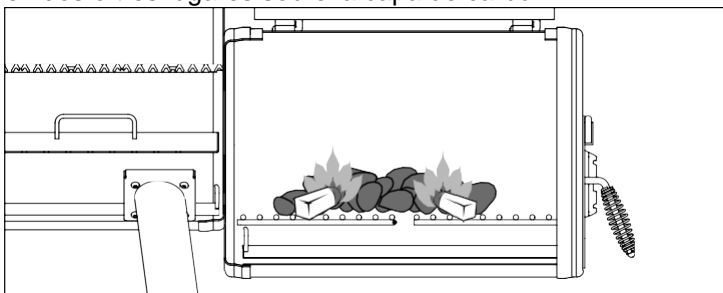
Al precalentar su ahumador, abra completamente la ventilación interior utilizando la herramienta múltiple incluida (artículo #KA5527). Cuando se acerque a la temperatura deseada, cierre la ventilación interior utilizando la herramienta múltiple incluida justo por debajo del nivel de los difusores de humo. Esto empujará la mayor cantidad de aire caliente y de humo hacia abajo de las bandejas difusoras para un ahumado parejo.

### Paso 2:

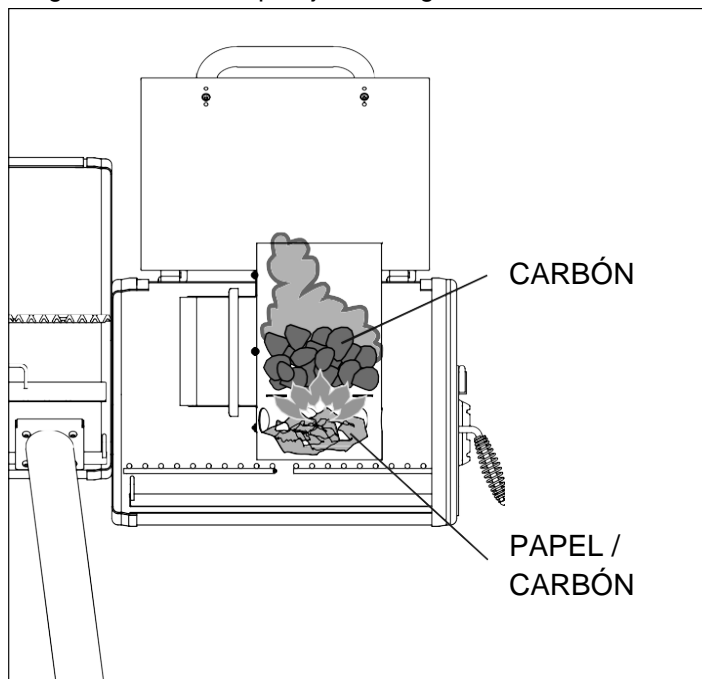
Abra la tapa de la caja de cocción pequeña, remueva las rejillas de cocción utilizando el elevador de rejillas suministrado (artículo # 60750) y llene la bandeja con aproximadamente 4 libras de trozos de carbón de madera dura. A medida que se familiarice con su ahumador de doble barril Broil King® SmokeMR, se dará cuenta de la cantidad de carbón que necesitará para varios tiempos de cocción y temperaturas.

### Paso 3: Lighting

Si utiliza palillos encendedores, enciéndalos y colóquelos en dos o tres lugares sobre la capa de carbón.

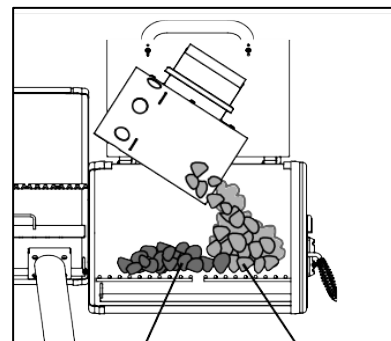


Si utiliza una chimenea de acero inoxidable, llene la chimenea para encender carbón Broil King® (artículo # 63980) con carbón. Llene la parte inferior de la chimenea con una o dos páginas de periódico. Coloque la chimenea sobre la rejilla para el carbón dentro de la caja del fuego. Una vez que el carbón haya encendido, agréguelo cuidadosamente a la bandeja para el carbón y cúbralo con carbón apagado. El colocar carbón encendido cerca de la entrada de ventilación hará que el fuego arda de forma pareja a lo largo de la cámara.



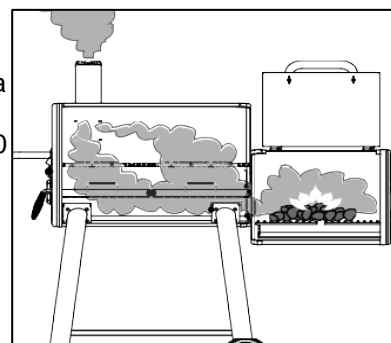
### Paso 4:

Mantenga la puerta abierta hasta que todo el carbón se haya encendido.



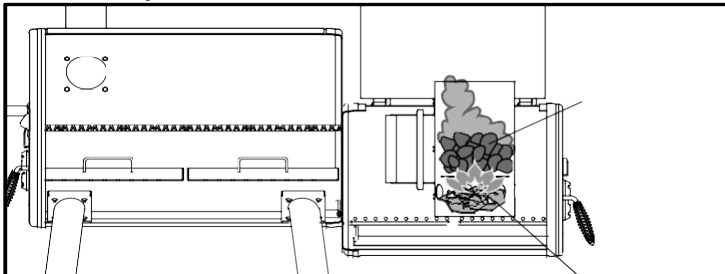
### Paso 5:

Ajuste las ventilaciones para lograr la temperatura deseada. Empiece a cerrar las ventilaciones 50 grados antes de la temperatura deseada.



# ENCENDIDO

## PARA COCCIÓN DIRECTA (UTILIZANDO LA CÁMARA PRINCIPAL COMO PARRILLA AL CARBÓN)



Siga las instrucciones de encendido anteriores, pero llene las bandejas difusoras de la caja de cocción grande con carbón encendido, acomodado a una altura pareja, y controle la temperatura con las ventilaciones de entrada y de salida. La mejor opción es utilizar una chimenea para encender grandes cantidades de carbón. Una vez que esté encendido, acomode el carbón en las bandejas y vuelva a colocar las rejillas de cocción utilizando el elevador de rejillas suministrado. Nota: El carbón produce más calor cuanto más acceso tiene a la corriente de aire. El dejar la tapa abierta al cocinar producirá un calor más intenso.

### APAGADO:

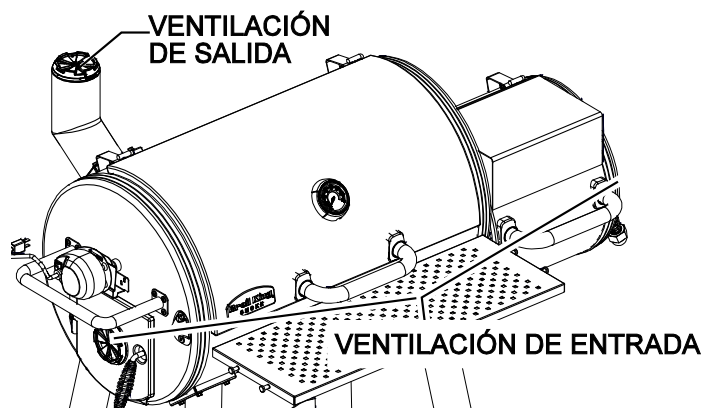
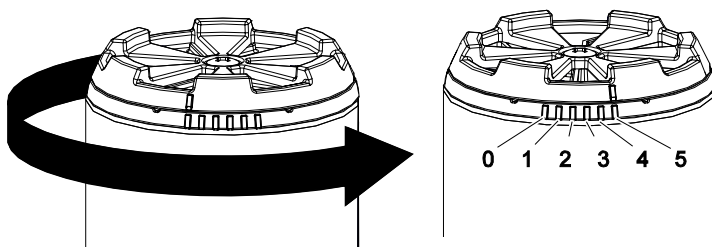
Cuando esté listo para apagar su ahumador de doble barril Broil King® Smoke™, cierre completamente las ventilaciones interna y externas para extinguir el fuego.

# OPERACIÓN

## CONTROL DE TEMPERATURA:

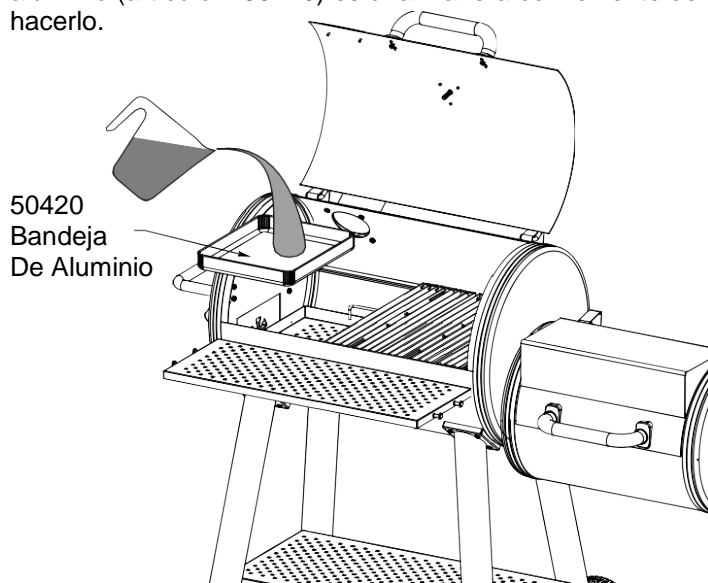
El ahumador de doble barril Broil King® Smoke™ le permite controlar la temperatura regulando la circulación de aire a través de las ventilaciones de entrada y de salida. Cuanto más abiertos estén las ventilaciones, circulará más aire a través del carbón. Cuanto más aire circule por el carbón, más se elevará la temperatura. Pequeños ajustes en las ventilaciones producirán cambios importantes en la temperatura de cocción.

Ajuste las ventilaciones Roto-Draft™ utilizando la herramienta múltiple incluida.



## BANDEJA PARA EL AGUA:

Considerando la cantidad de flujo de aire necesario para tiempos de cocción de más de 3 horas, deberá agregar una bandeja de agua en la cámara principal. Esto evitará que se seque la comida. El usar bandejas descartables de aluminio (artículo # 50420) es una manera conveniente de hacerlo.



# OPERACIÓN

## TÉCNICAS:

### Ahumado: A menos de 275°F (135°C)

Esta clásica forma de asar utiliza cocción indirecta de cortes grandes de carne a bajas temperaturas (menos de 275°F (135°C)) durante relativamente mucho tiempo (unas 4 horas). El utilizar carbón y trocitos de madera impregna las carnes y otras cosas que se cocinan lentamente con sabor a asado ahumado y brinda resultados increíblemente tiernos.

### Asado Smoke™: 275°F – 400°F (135°C - 205°C)

También conocido como cocción indirecta, es parecido al ahumado. El asado ahumado es una versión acelerada del mismo principio. Funciona bien con cortes de carne, pollo y otras cosas más convencionales que normalmente se cocinan al horno. La combinación de ahumado y tiempo de cocción crea un gran sabor en menor tiempo que el ahumado verdadero.

### Consejos para el ahumado y el asado-ahumado:

Debido a su construcción de doble barril, el lado de la cámara de cocción más cercano al fuego (lado derecho) puede estar más caliente que el lado opuesto (lado izquierdo). El crear un pequeño fuego puede ayudar a precalentar su ahumador de doble barril y brindar una cocción más pareja.

### Asado directo: 400°F (205°C) o más

Directo: directamente sobre las brasas y trozos de madera ardientes. Este es el método tradicional de cocinar a la parrilla en el jardín. Ideal para cortes pequeños como filetes, chuletas, hamburguesas, verduras. El alto calor sella el exterior mientras se cocina el interior.

Por mayor información, visite [www.broilkingbbq.com](http://www.broilkingbbq.com)



## Guía Para Asar El filete Perfecto Ingredientes

- 4 filetes (preferentemente New York Strip), de 1" de espesor
- 2 dientes de ajo, picados o pisados
- 2 cucharadas de salsa Worcestershire
- 2 cucharadas de vinagre balsámico y pimienta molida fresca
- 2 cucharaditas de mostaza de Dijon
- 2 cucharadas de salsa de soja
- 2 cucharadas de aceite de oliva

## Preparación de los filetes

Quitar el exceso de grasa de los filetes. Combinar el resto de los ingredientes en una bolsa plástica resistente que se pueda sellar. Marinar los filetes por 1 hora a temperatura ambiente o hasta 24 horas en el refrigerador. Si está refrigerado, llevar los filetes a temperatura ambiente media hora antes de asarlos para que se cocinen más parejos.

## CONSEJOS PARA UN ASADO PERFECTO

- A. Pintar las rejillas con aceite de oliva o vegetal y precalentar la parrilla a 450 °F / 275 °C. Colocar la comida en la parrilla a un ángulo de 45 grados y cocinarlo el tiempo que indica el siguiente cuadro.
- B. Dar vuelta el filete y cocinarlo nuevamente a los mismos 45 grados.
- C. Dar vuelta el filete y cocinarlo a 45 grados opuestos.
- D. Finalmente, dar vuelta el filete y cocinarlo a los mismos 45 grados.

### GUÍA PARA ASAR EL FILETE PERFECTO

COLOQUE EL FILETE EN ÁNGULO SOBRE LA PARRILLA CALIENTE.

DELO VUELTA COMO SE INDICA A CONTINUACIÓN.

VUELVA A DAR VUELTA Y A ROTAR EL FILETE.

VUELVA A DAR VUELTA EL FILETE UNA VEZ MÁS.

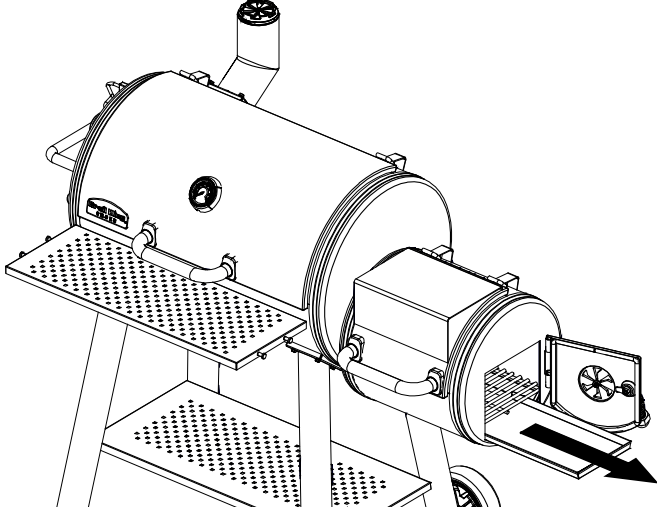
Espesor de la carne		Ajuste de Calor	Tiempo por cada lado				Tiempo total
1½"	1"		A	B	C	D	
	Poco hecho	Alto	1½	1½	1½	1½	7 minutos
Poco hecho	Jugoso	Medio/Alto	2	2	2	2	8 minutos
	Jugoso	Medio/Alto	2½	2½	2½	2½	9 minutos
	Mediano	Mediano	2½	2½	2½	2½	10 minutos
	Bien hecho	Mediano	3	3	3	3	12 minutos

# MANTENIMIENTO

---

## LIMPIEZA

Deberá vaciar las bandejas de cenizas cada vez que termine de cocinar. Una vez que se haya enfriado, abra las puertas de acceso de las cajas de fuego y remueva cuidadosamente las bandejas de cenizas. Vacíelas en un cubo o en otro recipiente para su desecho.



## CUIDADO Y MANTENIMIENTO

El ahumador de doble barril Broil King® Smoke™ le brindará muchos años de excelente servicio con un mínimo de cuidado. El proceso de acondicionamiento ayudará a preservar los componentes internos de acero. Use un cepillo de acero inoxidable para limpiar las rejillas de cocción y los componentes que estén manchados.

Puede necesitar limpiar y volver a acondicionar sus rejillas de cocción. Cepíllelas bien con un cepillo de acero inoxidable para parrilla para remover toda la suciedad y recúbrelas en una fina capa de aceite de oliva o de semillas de uva. Luego coloque las rejillas de cocción dentro de su ahumador y caliéntelo a 400°F (205°C) durante 1 hora. Repita estos pasos como fueranecesario. Este recubrimiento de aceite protegerá sus rejillas de cocción y le brindará años de uso sin problemas.

Limpie el exterior con agua tibia jabonosa.

Para limpiar el interior, utilice un cepillo de alambre para parrillas para remover la suciedad de la caja de cocción. La capa de ahumado que se acumula dentro del ahumador (acondicionamiento) sirve de protección y no hace falta limpiarla periódicamente.

Mantenga siempre su ahumador de doble barril Broil King® Smoke™ cubierto cuando no lo use. Utilice la cubierta # 67050 de Broil King®

# RECETAS

---

## COSTILLAS A LA PARRILLA

- 2 cucharadas de azúcar negra
- 1 cucharadita de sal gruesa
- 1 cucharadita de pimienta negra molida
- 1 cucharada de comino
- 2 cucharaditas de mostaza en polvo
- 2 cucharaditas de paprika
- 2 cucharadas de ajı molido
- 1 cucharadita de sal de cebolla
- 1 cucharadita de sal de apio
- 1 cucharadita de ajo en polvo
- 1 cucharada de oregano

## POLLO AHUMADO

- Precaliente el ahumador a 225 F (107 C)
- 1 pollo entero, trozado o pedazos de pollo (muslos, alas, patas) hasta 5 libras
- Frieque los trozos de pollo con salsa BBQ para uso general y dejelos reposar durante 30 minutos
- Agregue una bandeja de agua al ahumador
- Aadir punado de Apple o de otros pedazos de madera a la bandeja del fumador.
- Acomode el pollo en las rejillas de coccion
- Cocnelo durante 2,5 - 4 horas
- La temperatura interna debe alcanzar los 165 F (74 C)
- Tpelo y dejelo reposar por 10 minutos
- Srvalo y disfrtelo

## COSTILLAS

- Precaliente el ahumador a 250 F (121 C)
- 4 tiras de costillas de cerdo
- Remueva la membrana de las costillas
- Condimntelas bien con salsa BBQ
- Agregue una bandeja de agua con jugo de manzana en el ahumador
- Aadir punado de Apple o de otros pedazos de madera a la bandeja del fumador.
- Acomode las costillas en la rejilla de coccion o en la bandeja para costillas incluida.
- Cocnelas durante 3-4 horas
- Si lo desea, agregue salsa BBQ en este momento y termine usando su parrilla a gas Broil King a 400 F durante 10 - 20 minutos.
- Squelas del ahumador, tpelas y dejelas reposar por 10 minutos
- Srvalas y disfrtelas

## PUERCO DESMENUZADO

- Precaliente el ahumador a 225 F (107 C)
- 4 - 15 libras de paleta de cerdo (los cortes ms pequeos normalmente se llaman Boston Butt o Picnic Shoulder)
- Condimntelo bien con salsa BBQ
- Agregue una bandeja de agua con jugo de manzana en el ahumador y coloque la paleta de cerdo sobre la bandeja
- Aadir punado de Apple o de otros pedazos de madera a la bandeja del fumador.
- Coloque la paleta de cerdo en las rejillas de coccion
- Cocnela durante 4 horas o ms, a una temperatura interna de 185 F (85 C) como mnimo
- Squela del ahumador, envulvala con papel de aluminio y dejela reposar por 30 minutos
- Pquela con la Sper Esptula de Broil King (#64011) o desmencela con las Garras para Carne Broil King (#64070)
- Agrguele salsa al gusto
- Srvala y disfrtela

# GARANTIA

---

## GARANTÍA Y SERVICIO AL CLIENTE

La Garantía OMC es válida a partir de la fecha de compra y está limitada a reparaciones o reemplazos de partes sin costo alguno de componentes defectuosos en condiciones normales de uso doméstico.

En Canadá y Estados Unidos, el reemplazo se realiza FOB en la Fábrica.

En todos los demás países, el reemplazo es FOB al distribuidor OMC. (Contacte a su proveedor para conocer el nombre de su distribuidor OMC).

Todos los demás costos son responsabilidad del dueño.

Esta garantía se le otorga únicamente al comprador original como se indica en el registro de garantía y es válida únicamente para productos de venta al por menor y solo cuando tales productos son utilizados exclusivamente en el país donde los compró.

## LO QUE ESTÁ CUBIERTO: :

<b>Caja de cocción con recubrimiento para alta temperatura</b>	<b>5 años</b>
<b>El resto de las partes y la pintura</b>	<b>2 años</b>

## LO QUE NO ESTÁ CUBIERTO:

- Cualquier falla o problema de funcionamiento debido a un accidente, uso indebido o incorrecto, alteración, uso para otros fines, vandalismo, instalación incorrecta o mantenimiento o reparación inadecuados, o el incumplimiento del mantenimiento de rutina, tal como se especifica en el manual del propietario.
- Deterioro o daños debidos a condiciones meteorológicas severas, como granizo, huracanes, terremotos o tornados, decoloración debido a exposición a productos químicos ya sea directamente o en el ambiente.
- Costos de envío o transportación
- Costos de devolución o reinstalación.
- Costo de mano de obra por reinstalación o reparaciones.
- Costo de llamadas de servicios técnicos.
- Responsabilidad por daños indirectos o consiguientes.

## PARTES DE REPUESTO:

Para los reemplazos, siempre debe utilizar "Partes auténticas de reemplazo de OMC". El uso de cualquier otra parte anulará automáticamente la garantía descrita anteriormente.

## RECLAMOS DE GARANTÍA

Toda la garantía es manejada directamente por OMC. Las partes deben devolverse al Departamento de Garantía de OMC, previo pago anticipado de los costos de envío, acompañado del Número del modelo, Número de serie, y si su parrilla no está registrada, la constancia de compra (copia del recibo de compra o factura). Si la inspección confirma el defecto, OMC reparará o reemplazará dicha parte de acuerdo con los términos de la garantía. Al recibir la carta o fax (no por teléfono) puede que OMC, a su criterio, no requiera la devolución de la(s) parte(s).

## FUERA DE AMÉRICA DEL NORTE

La garantía anterior es gestionada por el distribuidor de OMC en su país. Contacte a su proveedor para conocer el nombre de su distribuidor OMC.



