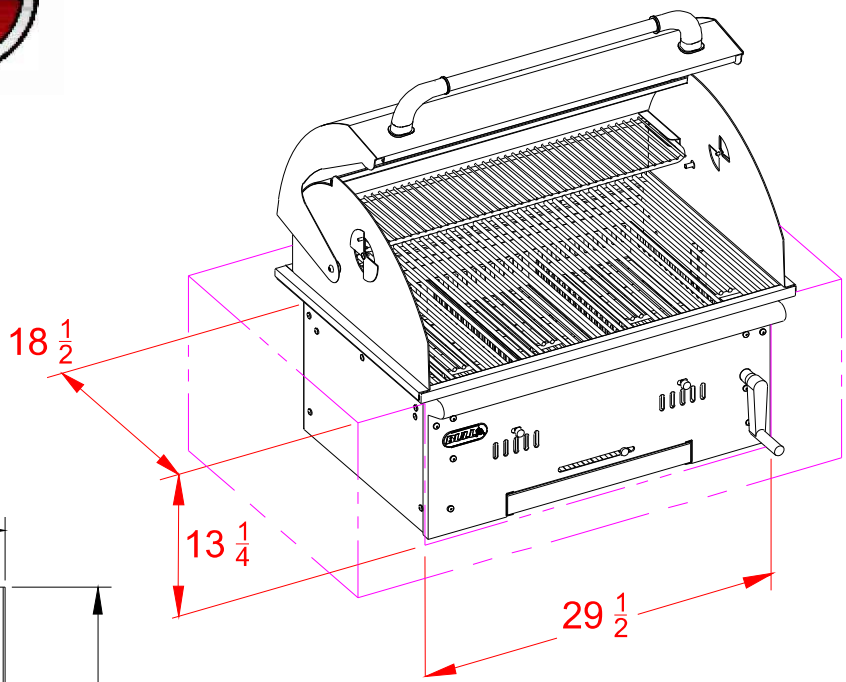


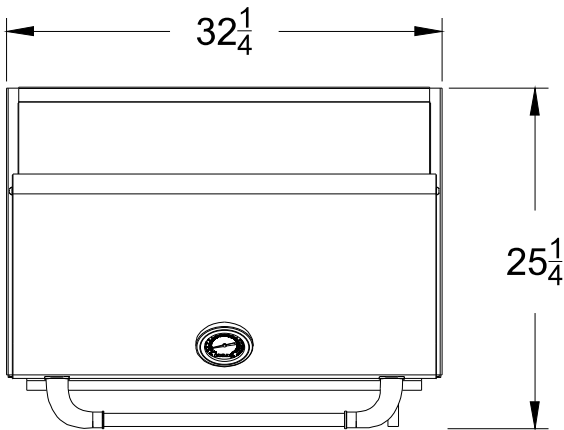


WWW.BULLBBQ.COM

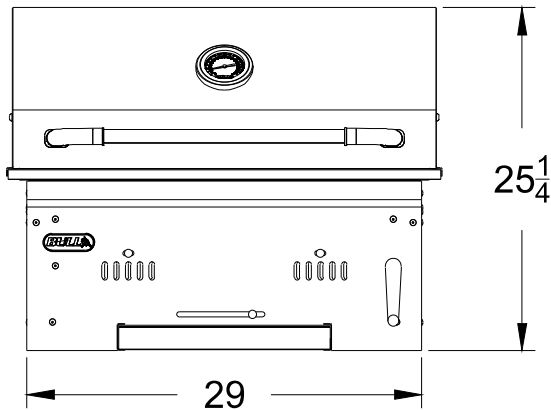
SPEC SHEET
ITEM# 88787
BISON PREMIUM
CHARCOAL GRILL



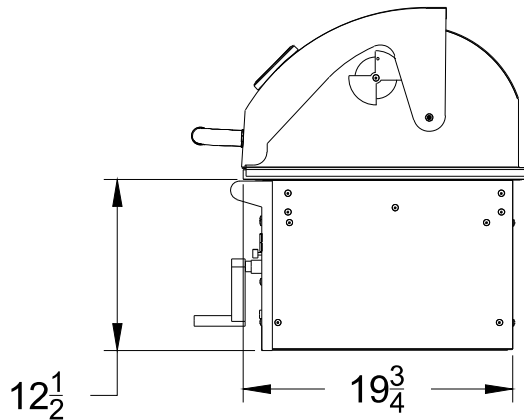
PERSPECTIVE VIEW
WITH INSTALLATION
CUT OUT DIMENSIONS



TOP VIEW



FRONT VIEW



RIGHT SIDE VIEW

NOTES:

- 1) ALL DIMENSIONS ARE IN INCH UNITS
- 2) REFER TO PERSPECTIVE VIEW FOR INSTALLATION CUTOUT DIMENSIONS.