

# Technical Data Sheet

Model: SNW-SS 975B

## Product Materials

Side supports (legs) constructed from 14 gauge, type 304 stainless steel and laterally reinforced with stainless steel plate.

Step constructed from 16 gauge type 304 stainless steel and reinforced with 16 gauge stainless steel welded brackets.

Step also features marine grade non-slip rubber tread and ANSI compliant graphics with text in English, Spanish, and French

## Operation

Floor-mounted, self-retracting step. Concealed gas cylinder provides controlled lowering and automatic retraction of step. Load capacity of 800 lbs.

## Installation

Secure to floor directly under lavatory utilizing 4 stainless steel 3/8" wedge anchors (included). Front mounting holes must be a maximum of 6" and a minimum of 5.5" from the front edge of lavatory. Please refer to the installation instructions and installation template for further details.

## Logistics

Packaged weight: 18 lbs

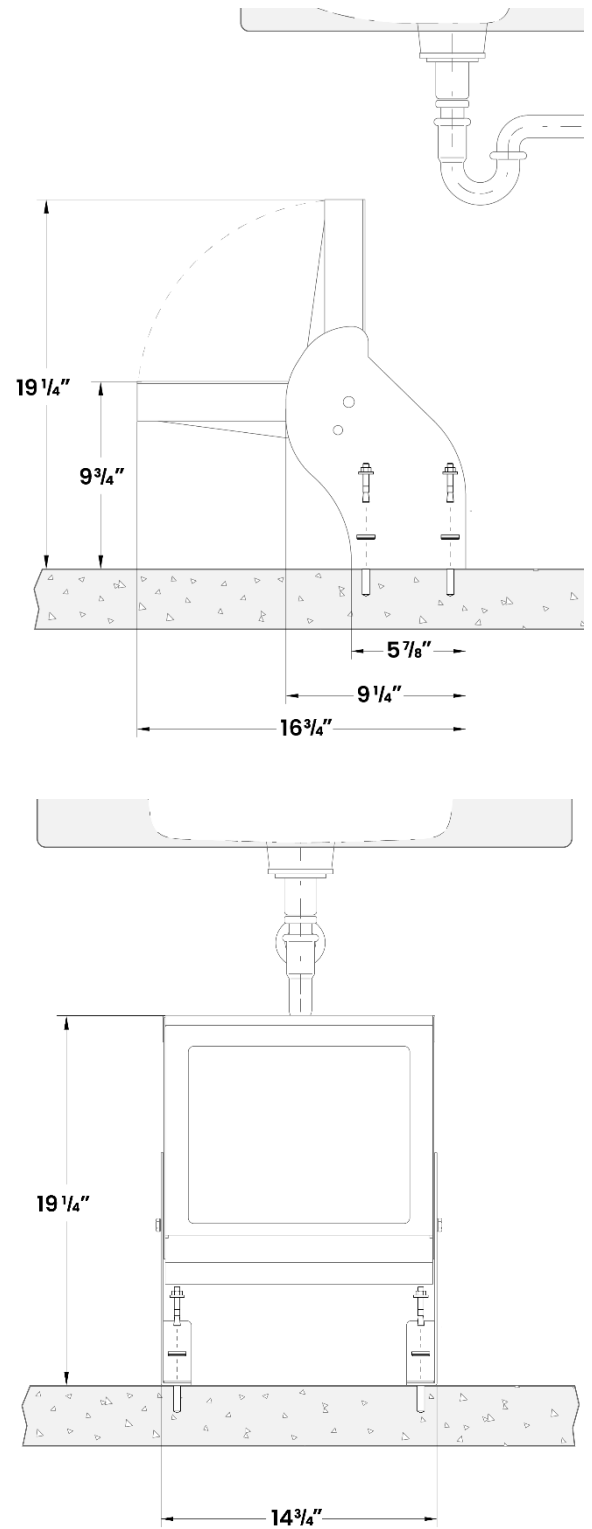
Packaged dimensions: 22" x 9" x 15"

Pallet count: 32

Pallet type: US

## Standard Warranty

Major stainless steel components will be free from defects in material and workmanship for a period of 5 years.



The illustrations and descriptions herein are applicable to production as of 01/2024. Manufacturer reserves the right to make changes and improvements in design and dimensions without notice.