

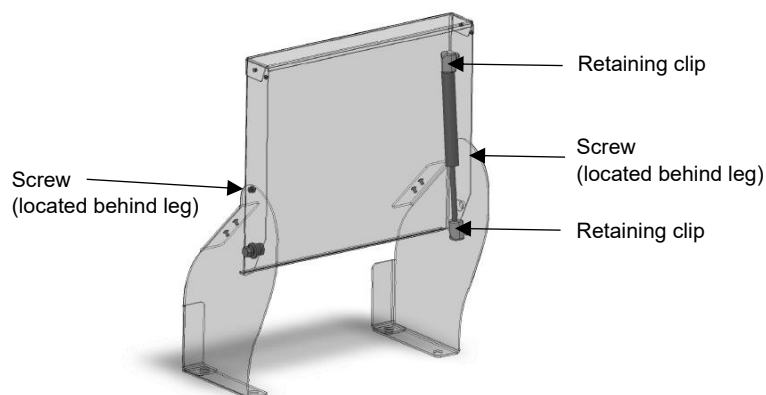
Step 'n Wash – Gas Spring Replacement Instructions

To ensure both proper installation and compliance with local building codes, it is necessary that a qualified person or licensed installer perform the installation of the product.

- 1** Remove the gas springs from the shipping container and inspect for any damage.
- 2** Pull the step down to horizontal position to expose the screws on each side of the step.
- 3** Using a Phillips screwdriver and while holding the cover, remove and set aside the screw on each side of the step.
- 4** Lift the step back up to the upright position.

Be aware that once the gas spring has been removed, the step may fall forward as the gas spring is what keeps the step locked in the up position.

- 5** Open the step cover to expose the gas spring. It is helpful, but not necessary, to prop the step cover open.
- 6** Carefully slide a small flat head screwdriver under the retaining clip on the top of the gas spring to release the tension on the ball stud.
- 7** Once the tension on the retaining clip is released, pull outwards to remove the gas spring from the upper ball stud. Repeat this for the retaining clip on the bottom of the gas spring. Once removed, discard the old gas spring.
- 8** While holding the new gas spring “rod end down”, attach the upper ball socket of the new gas spring onto the upper ball stud inside the top right of the step by pushing until it snaps into place.
- 9** Attach the lower ball socket of the new gas spring onto the ball stud inside the right leg until it snaps into place. You may have to pull the step forward slightly to attach the lower ball socket.
- 10** Close the cover by tucking the sides of the cover inside the step to align the holes on the side of the cover with the holes on the side of the step.
- 11** While holding the cover in place, lower the step to horizontal to expose the threaded hole on each side of the step.
- 12** With the step in the down position, insert one of the screws into the threaded hole and fully tighten the screw. Repeat this for the other side to fully secure the cover to the step.
- 13** Pull the step down and release to make sure the step retracts properly.



Video
Walkthrough

