

ALUMINIUM LADDER SCAFFOLDING

Two-Piece Aluminium Scaffold

- Working heights from 2m up to 8m
- Practical, easy to install
- The height is easily adjustable with a drawstring roller system
- Moves with comfortable 125mm swivel lockable wheels
- Folding structure provides safe operation with support legs



T-4.4m
OPEN

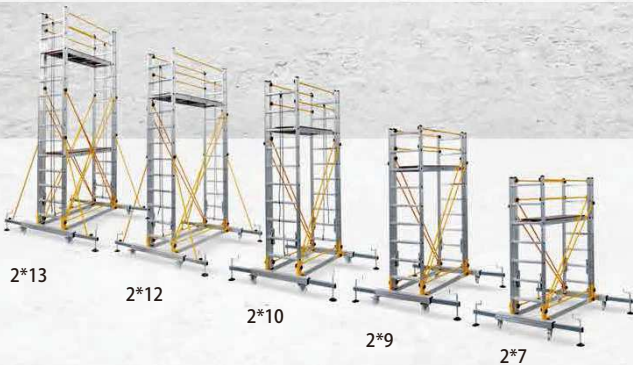
T-4.4m
CLOSED

	D	A m.	A1m.	C m.	B m.	E cm.	Fcm.	Kg.
T-2.2m	2x6	2.1	3.0	2.2	3.9	188x66x35	134x43x46	68.0
T-2.7m	2x7	2.4	3.5	2.7	4.4	216x66x35	134x43x46	71.2
T-3.3m	2x8	2.6	4.1	3.3	5.0	244x66x35	134x43x46	74.5
T-3.9m	2x9	2.9	4.7	3.9	5.6	272x66x35	134x43x46	77.9
T-4.4m	2x10	3.2	5.2	4.4	6.1	300x66x35	134x43x46	81.3
T-5.5m	2x12	3.8	6.3	5.5	7.2	328x66x35	175x43x46	99.5
T-6.1m	2x13	4.1	6.9	6.1	7.8	356x66x35	175x43x46	103.1



T-4.4m
PACKED

Maks.
250 Kg.



EURO SKYMASTER SCAFFOLDING SYSTEM

BROUGHT TO YOU BY : ALANKAR GROUP - ALANKAR ELECTRICALS

WEB: WWW.ALANKARGROUP.ORG / WWW.LADDERTERMINAL.COM

EMAIL: INFO@ALANKARGROUP.ORG / ALANKAR53@HOTMAIL.COM



BS EN 100



Product Specification	T2.2m (2x6)	T2.7m (2x7)	T3.3m (2x8)	T3.9m (2x9)	T4.4m (2x10)	T5.5m (2x12)	T6.1m (2x13)
product Size (m) L x W x H	1.8x1.9x3	1.8x1.9x3.5	1.8x1.9x4.1	1.8x1.9x4.7	1.8x1.9x5.2	2.2x2.1x6.3	2.2x2.1x6.8
Platform Height (m)	2.2	2.7	3.3	3.9	4.4	5.5	6.1
Platform Size (m)	1.35x0.45	1.35x0.45	1.35x0.45	1.35x0.45	1.45x0.45	1.86x0.45	1.86x0.45
product weight(kg)	68	71.2	74.5	77.9	81.3	99.5	103.1

Components of Scaffolding

Model	T2.2m (2x6)	T2.7m (2x7)	T3.3m (2x8)	T3.9m (2x9)	T4.4m (2x10)	T5.5m (2x12)	T6.1m (2x13)
Extension Ladder	2	2	2	2	2	2	2
Outrigger	2	2	2	2	2	2	2
Horizontal Brace	6	6	6	6	6	6	6
Diagonal Brace	4	4	4	4	4	4	4
Platform with Hatch	1	1	1	1	1	1	1
Toeboards	1	1	1	1	1	1	1
Bottom Rail	2	2	2	2	2	2	2
Wheel	4	4	4	4	4	4	4
Support Brace						4	4

Product Details



Flexible Pulley Lifting Operation



Strong Lifting Hook

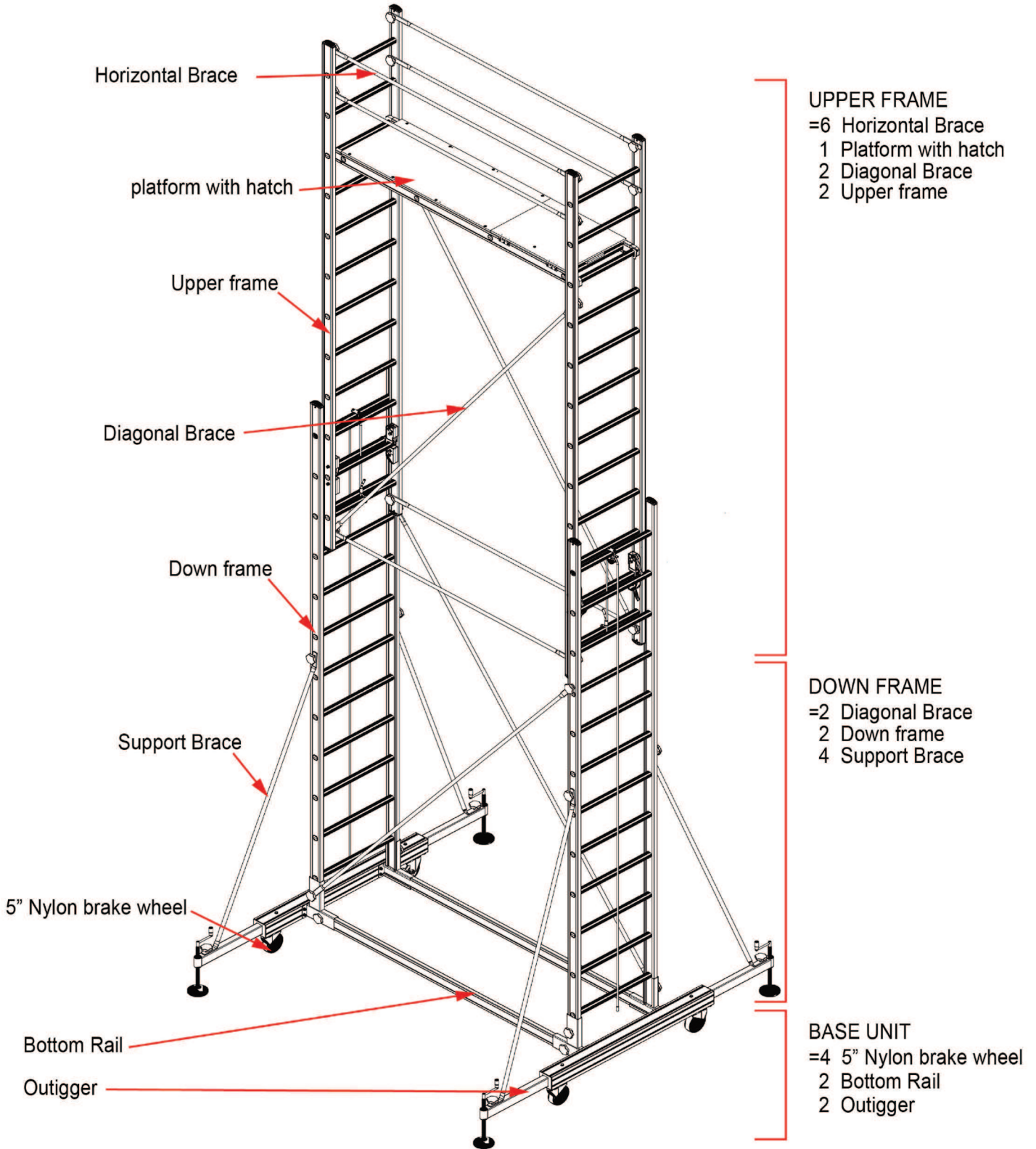


Braces Fixed in Star Bolts



Nylon Swivel Brake Wheel

Mobile Aluminum scaffolding

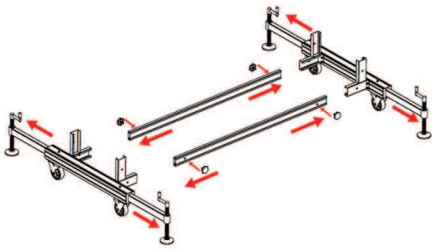


DO NOT TAKE CHANCES!

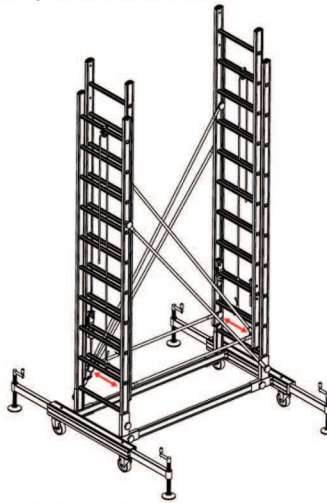
For further information on this product or any other products and services, please contact our customer service.

Alankar Group
info@alankargroup.org
Brought to you by Alankar Group

1 Please adjust to make outrigger and bottom rail together as arrow directions in below figure.



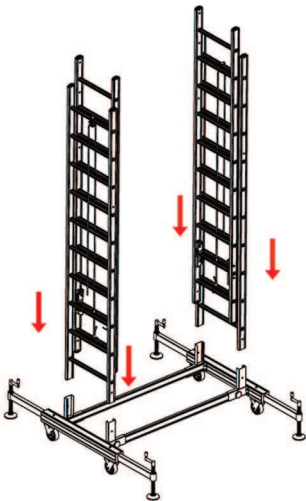
4 Adjust the horizontal braces and diagonal braces to the positions as shown.



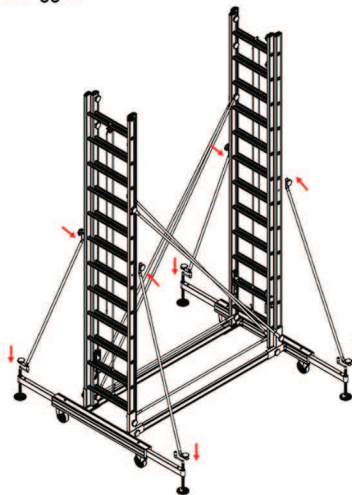
7 Attach horizontal braces to the top ladder frames.



2 Add the ladder frames as shown.



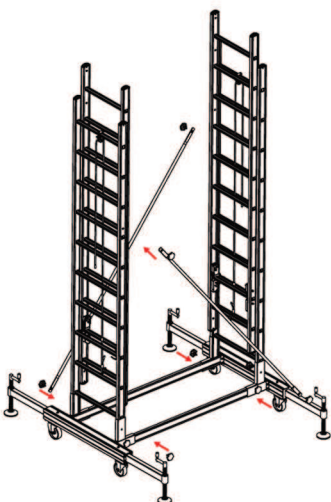
5 Fix the support braces to the ladder frame and outrigger.



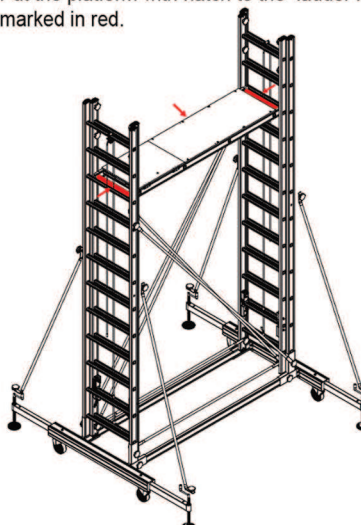
8 Fix horizontal braces to where the red arrows point to.



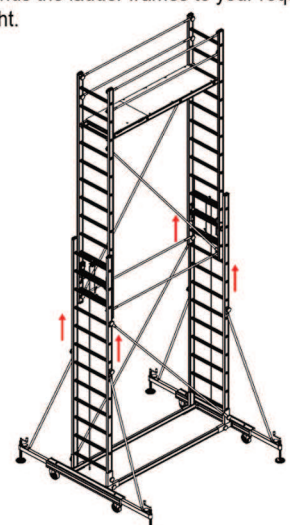
3 Attach diagonal brace to the frames as below.



6 Put the platform with hatch to the ladder rungs marked in red.



9 Extends the ladder frames to your required height.



If in doubt, phone ALUMINIUM SCAFFOLDS for advice - YOUR SAFETY MAY DEPEND ON IT!