

# Havener

# Enterprises, Inc.

## Illustrated Parts List

Havener Enterprises, Inc. is a manufacturer of high quality outdoor power equipment. Contact us today to see how our products can benefit your business.

Havener Enterprises, Inc.  
368 S. Michigan Avenue  
Bradley, IL 60915  
815.935.8383 Voice  
888.785.1348 Fax

[www.Havenerent.com](http://www.Havenerent.com)

© 2007 - 2008 Havener Enterprises, Inc.

**MS1321/MS1323**

**MS2000/2002**

**TS2000/2002**

**SW2000/2002**

**MS2006**

**TS2006**

**SDS2004**

**MJ2005**

**BR3000**

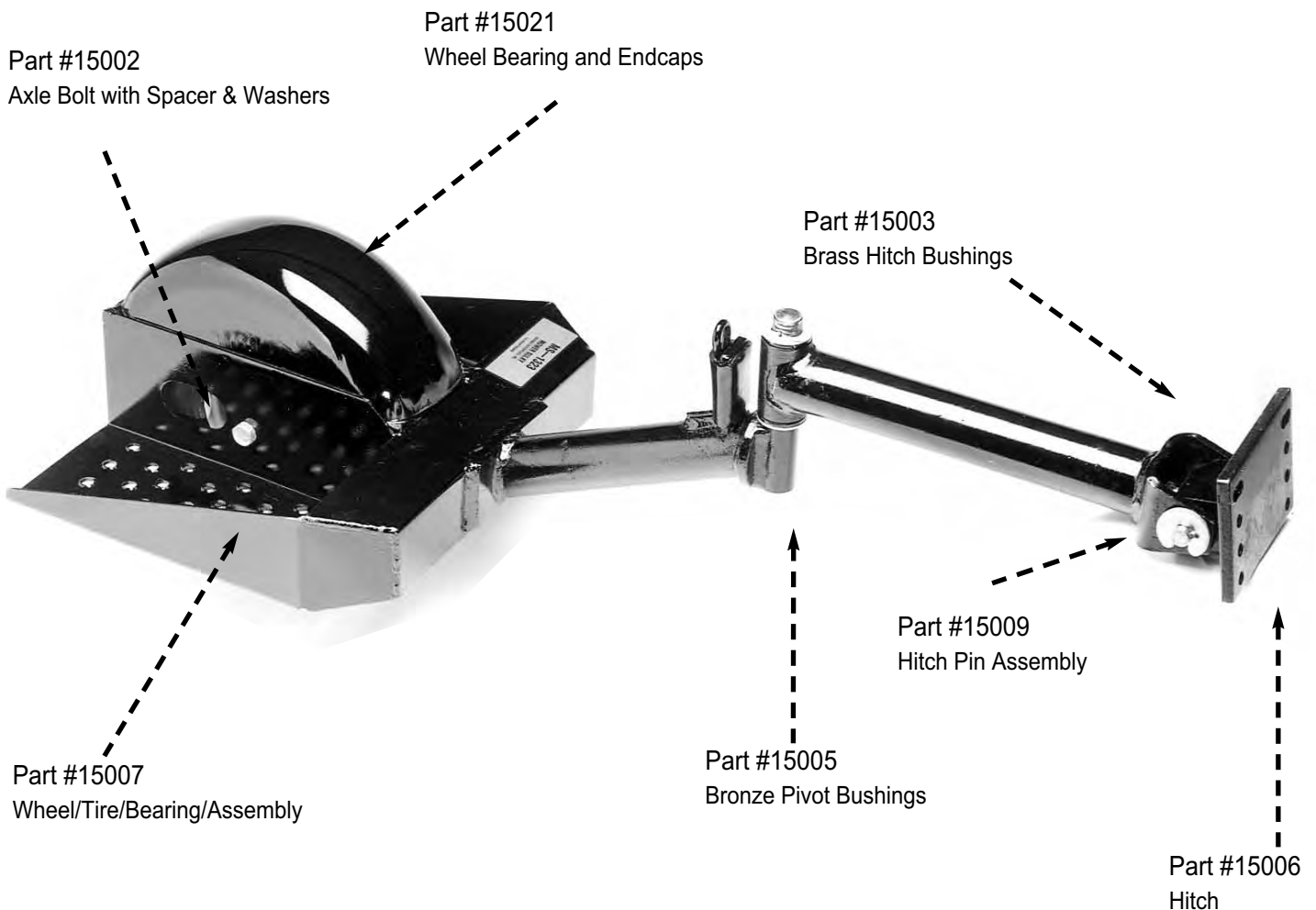
**Equipment Guard**

# Mower Sulky

By Havener Enterprises, Inc.®

## ILLUSTRATED PARTS LIST

### MS1321/1323 One-Wheel Sulky



#### LIMITED WARRANTY

Havener Enterprises, Inc. warrants that the above product is free from original defect, in workmanship and material for 24 months from date of purchase, which includes a 7 DAY no questions asked return policy. Warranty is void if product has been damaged through causes not arising out of defects in material or in workmanship. Bent parts of product, bushings, tires, tubes, worn bearing parts, and paint are specifically excluded from this warranty. Havener Enterprises, Inc. disclaims any consequential damages, arising from the breach of any warranty. (Some states do not allow the exclusion of consequential damages, so the above disclaimer may not apply to you.) During the above mentioned warranty period, the product will either be repaired or replaced with a new or reconditioned model of an equal equity (at Havener Enterprises, Inc.'s option) when the product is returned with a copy of the original retail invoice, by UPS (prepaid and insured) to Havener Enterprises, Inc., 368 S Michigan Ave, Bradley, IL 60915 phone: 815.935.8383

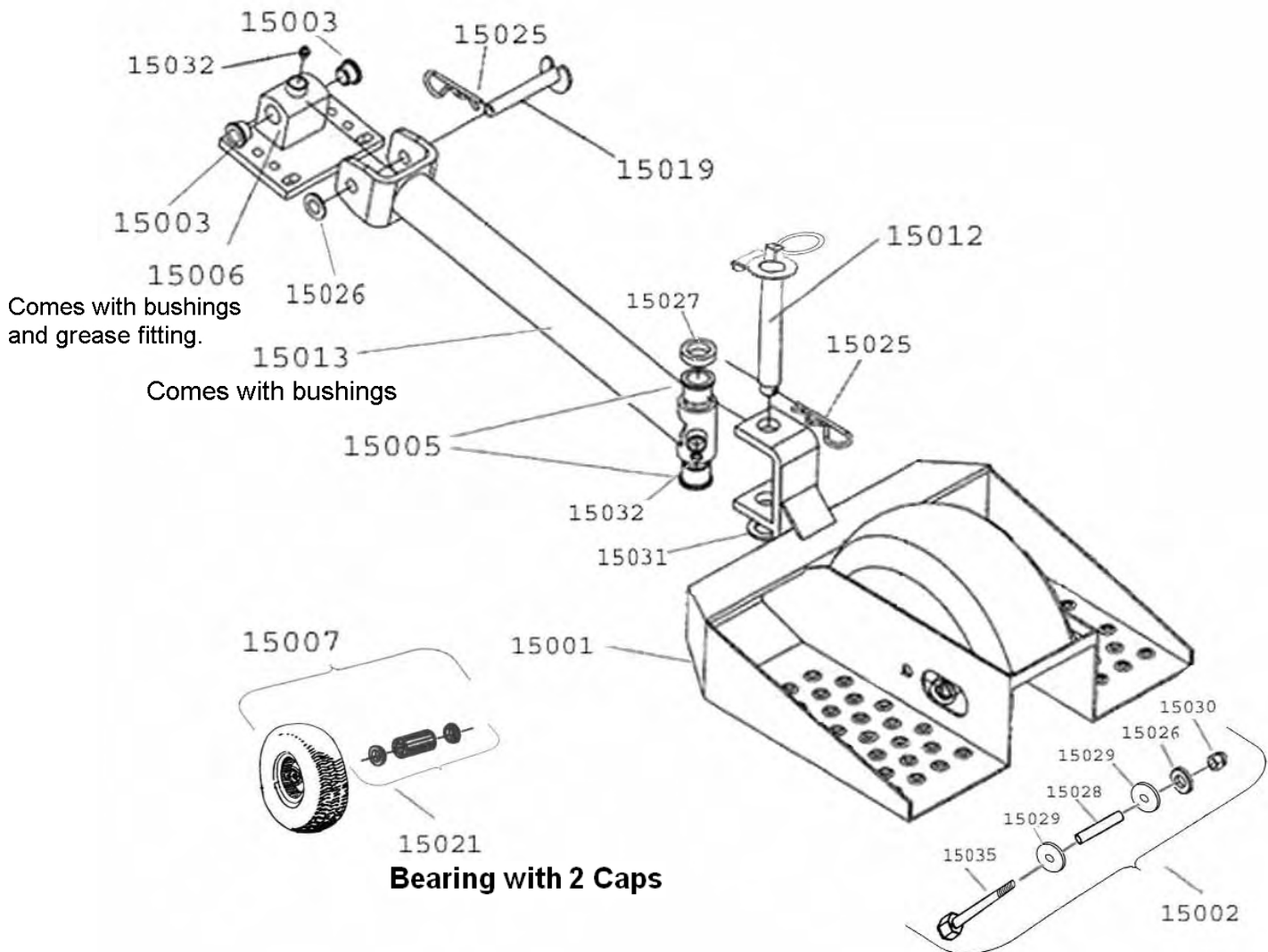
Havener Enterprises, Inc. • 368 S. Michigan Ave • Bradley, IL • 60915 • [www.mowersulky.com](http://www.mowersulky.com)  
Phone: 815.935.8383 Fax: 815.935.0138

# Mower Sulky

By Havener Enterprises, Inc.®

## ILLUSTRATED PARTS LIST

### MS2000 One-Wheel Sulky



#### LIMITED WARRANTY

Havener Enterprises, Inc. warrants that the above product is free from original defect, in workmanship and material for 24 months from date of purchase, which includes a 7 DAY no questions asked return policy. Warranty is void if product has been damaged through causes not arising out of defects in material or in workmanship. This warranty covers parts only. Bent parts of product, tires, tubes, bushings, worn bearing parts, and paint are specifically excluded from this warranty. Havener Enterprises, Inc. disclaims any consequential damages, arising from the breach of any warranty. (Some states do not allow the exclusion of consequential damages, so the above disclaimer may not apply to you.) During the above mentioned warranty period, the product will either be repaired or replaced with a new or reconditioned model of an equal equity (at Havener Enterprises, Inc.'s option) when the product is returned with a copy of the original retail invoice, by UPS (prepaid and insured) to Havener Enterprises, Inc., 368 S Michigan Ave, Bradley, IL 60915 phone: 815.935.8383. Call before returning any product.

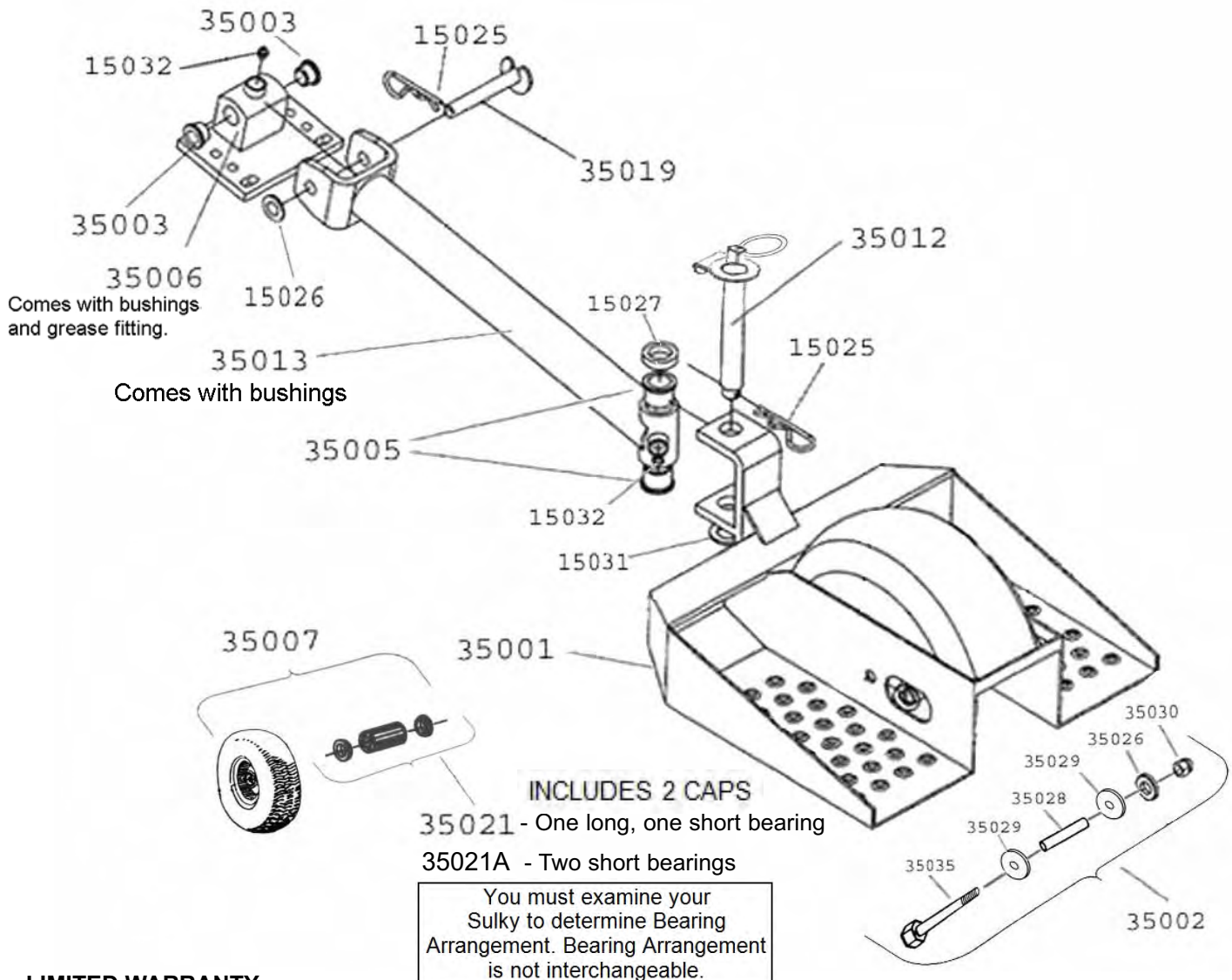
Havener Enterprises, Inc. • 368 S. Michigan Ave • Bradley, IL • 60915 • [www.mowersulky.com](http://www.mowersulky.com)  
Phone: 815.935.8383 Fax: 815.935.0138

# Mower Sulky

By Havener Enterprises, Inc.®

## ILLUSTRATED PARTS LIST

### MS2002 One-Wheel Sulky



#### LIMITED WARRANTY

Havener Enterprises, Inc. warrants that the above product is free from original defect, in workmanship and material for 24 months from date of purchase, which includes a 7 DAY no questions asked return policy. Warranty is void if product has been damaged through causes not arising out of defects in material or in workmanship. This warranty covers parts only. Bent parts of product, tires, tubes, bushings, worn bearing parts, and paint are specifically excluded from this warranty. Havener Enterprises, Inc. disclaims any consequential damages, arising from the breach of any warranty. (Some states do not allow the exclusion of consequential damages, so the above disclaimer may not apply to you.) During the above mentioned warranty period, the product will either be repaired or replaced with a new or reconditioned model of an equal equity (at Havener Enterprises, Inc.'s option) when the product is returned with a copy of the original retail invoice, by UPS (prepaid and insured) to Havener Enterprises, Inc., 368 S Michigan Ave, Bradley, IL 60915 phone: 815.935.8383. Call before returning any product.

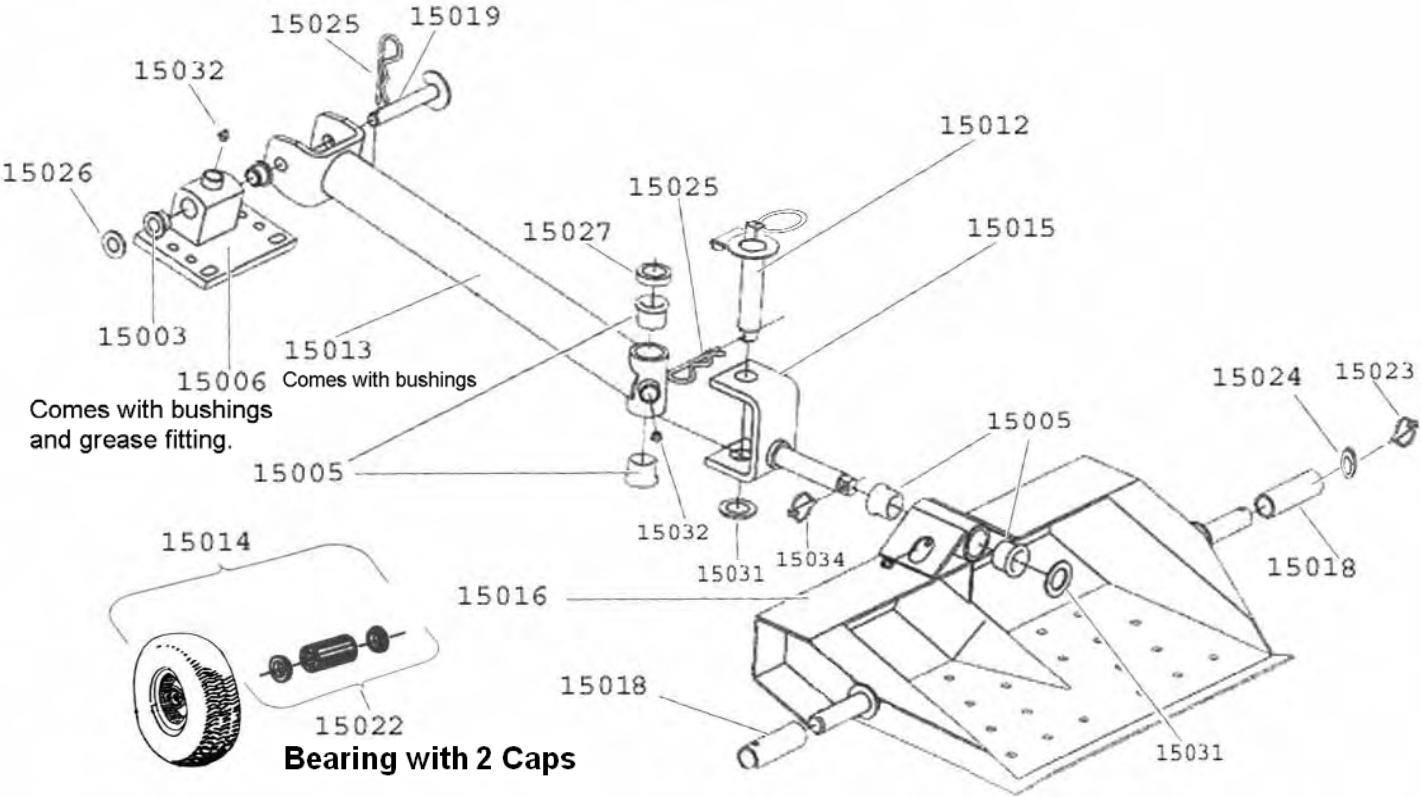
Havener Enterprises, Inc. • 368 S. Michigan Ave • Bradley, IL • 60915 • [www.mowersulky.com](http://www.mowersulky.com)  
Phone: 815.935.8383 Fax: 815.935.0138

# Mower Sulky

By Havener Enterprises, Inc.®

## ILLUSTRATED PARTS LIST

### TS2000 Two-Wheel Sulky



**LIMITED WARRANTY**

Havener Enterprises, Inc. warrants that the above product is free from original defect, in workmanship and material for 24 months from date of purchase, which includes a 7 DAY no questions asked return policy. Warranty is void if product has been damaged through causes not arising out of defects in material or in workmanship. This warranty covers parts only. Bent parts of product, tires, tubes, bushings, worn bearing parts, and paint are specifically excluded from this warranty. Havener Enterprises, Inc. disclaims any consequential damages, arising from the breach of any warranty. (Some states do not allow the exclusion of consequential damages, so the above disclaimer may not apply to you.) During the above mentioned warranty period, the product will either be repaired or replaced with a new or reconditioned model of an equal equity (at Havener Enterprises, Inc.'s option) when the product is returned with a copy of the original retail invoice, by UPS (prepaid and insured) to Havener Enterprises, Inc., 368 S Michigan Ave, Bradley, IL 60915 phone: 815.935.8383. Call before returning any product.

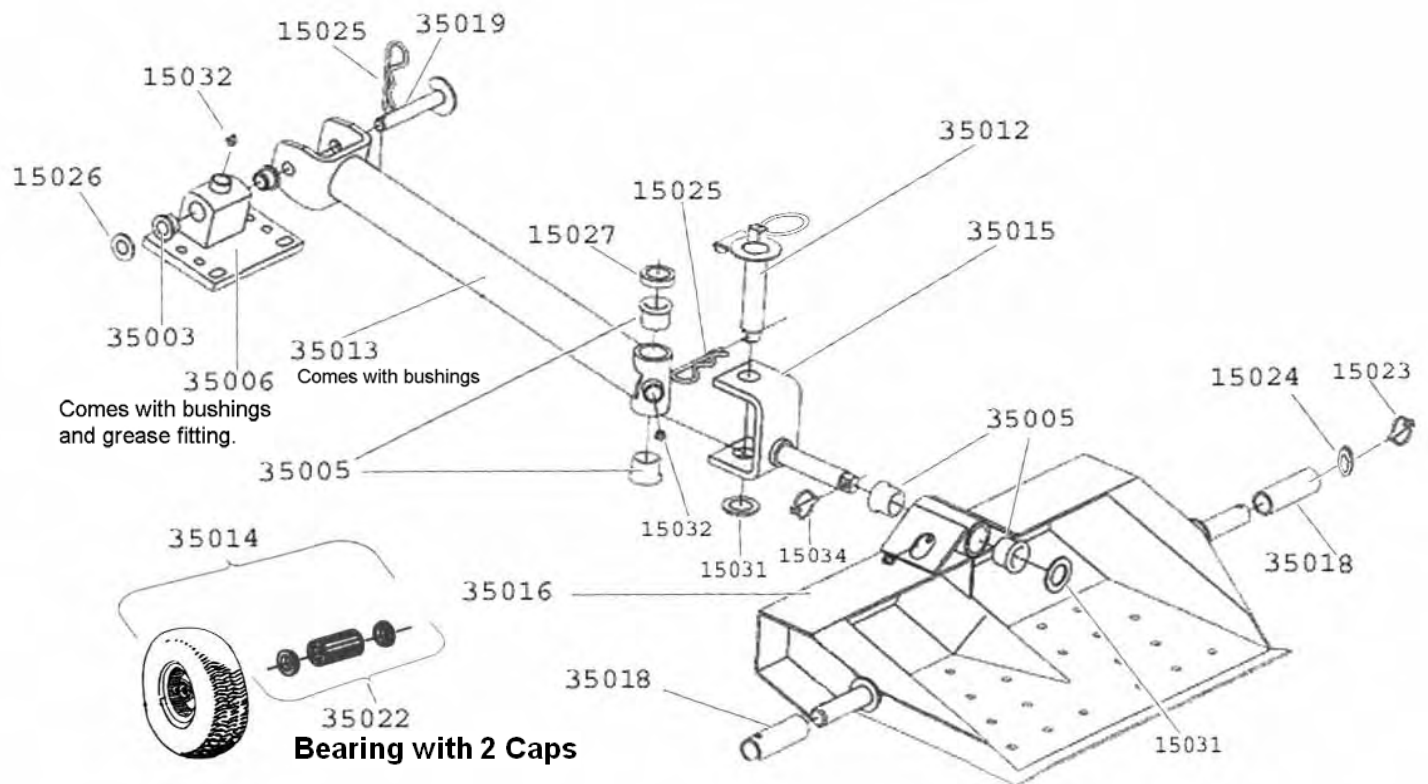
Havener Enterprises, Inc. • 368 S. Michigan Ave • Bradley, IL • 60915 • www.mowersulky.com  
 Phone: 815.935.8383 Fax: 815.935.0138

# Mower Sulky

By Havener Enterprises, Inc.®

## ILLUSTRATED PARTS LIST

### TS2002 Two-Wheel Sulky



#### LIMITED WARRANTY

Havener Enterprises, Inc. warrants that the above product is free from original defect, in workmanship and material for 24 months from date of purchase, which includes a 7 DAY no questions asked return policy. Warranty is void if product has been damaged through causes not arising out of defects in material or in workmanship. This warranty covers parts only. Bent parts of product, tires, tubes, bushings, worn bearing parts, and paint are specifically excluded from this warranty. Havener Enterprises, Inc. disclaims any consequential damages, arising from the breach of any warranty. (Some states do not allow the exclusion of consequential damages, so the above disclaimer may not apply to you.) During the above mentioned warranty period, the product will either be repaired or replaced with a new or reconditioned model of an equal equity (at Havener Enterprises, Inc.'s option) when the product is returned with a copy of the original retail invoice, by UPS (prepaid and insured) to Havener Enterprises, Inc., 368 S Michigan Ave, Bradley, IL 60915 phone: 815.935.8383. Call before returning any product.

7/2/07

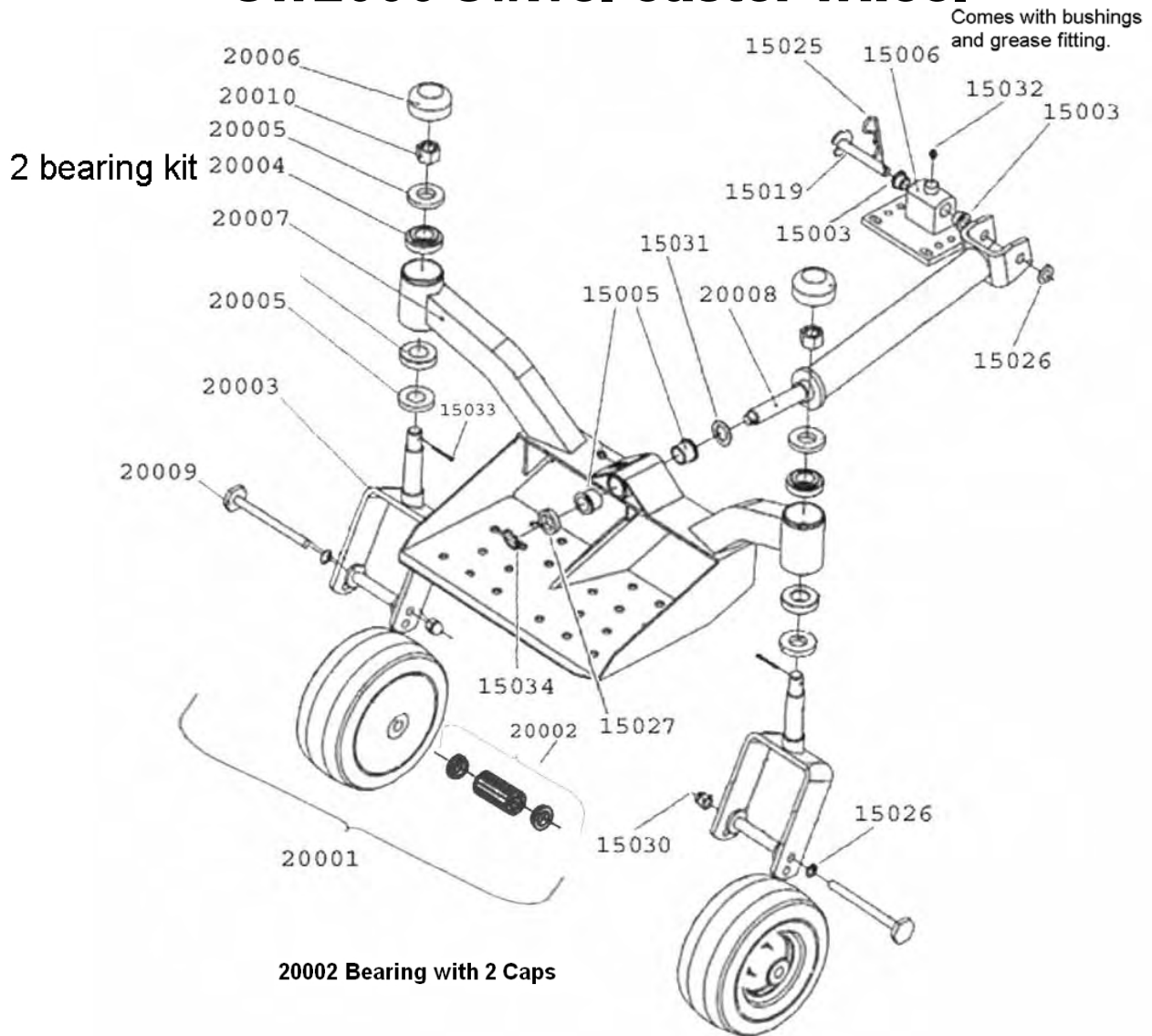
Havener Enterprises, Inc. • 368 S. Michigan Ave • Bradley, IL • 60915 • [www.mowersulky.com](http://www.mowersulky.com)  
Phone: 815.935.8383 Fax: 815.935.0138

# Mower Sulky

By Havener Enterprises, Inc.®

## ILLUSTRATED PARTS LIST

### SW2000 Swivel Caster Wheel



#### LIMITED WARRANTY

Havener Enterprises, Inc. warrants that the above product is free from original defect, in workmanship and material for 24 months from date of purchase, which includes a 7 DAY no questions asked return policy. Warranty is void if product has been damaged through causes not arising out of defects in material or in workmanship. This warranty covers parts only. Bent parts of product, tires, tubes, bushings, worn bearing parts, and paint are specifically excluded from this warranty. Havener Enterprises, Inc. disclaims any consequential damages, arising from the breach of any warranty. (Some states do not allow the exclusion of consequential damages, so the above disclaimer may not apply to you.) During the above mentioned warranty period, the product will either be repaired or replaced with a new or reconditioned model of an equal equity (at Havener Enterprises, Inc.'s option) when the product is returned with a copy of the original retail invoice, by UPS (prepaid and insured) to Havener Enterprises, Inc., 368 S Michigan Ave, Bradley, IL 60915 phone: 815.935.8383. Call before returning any product.

7/2/07

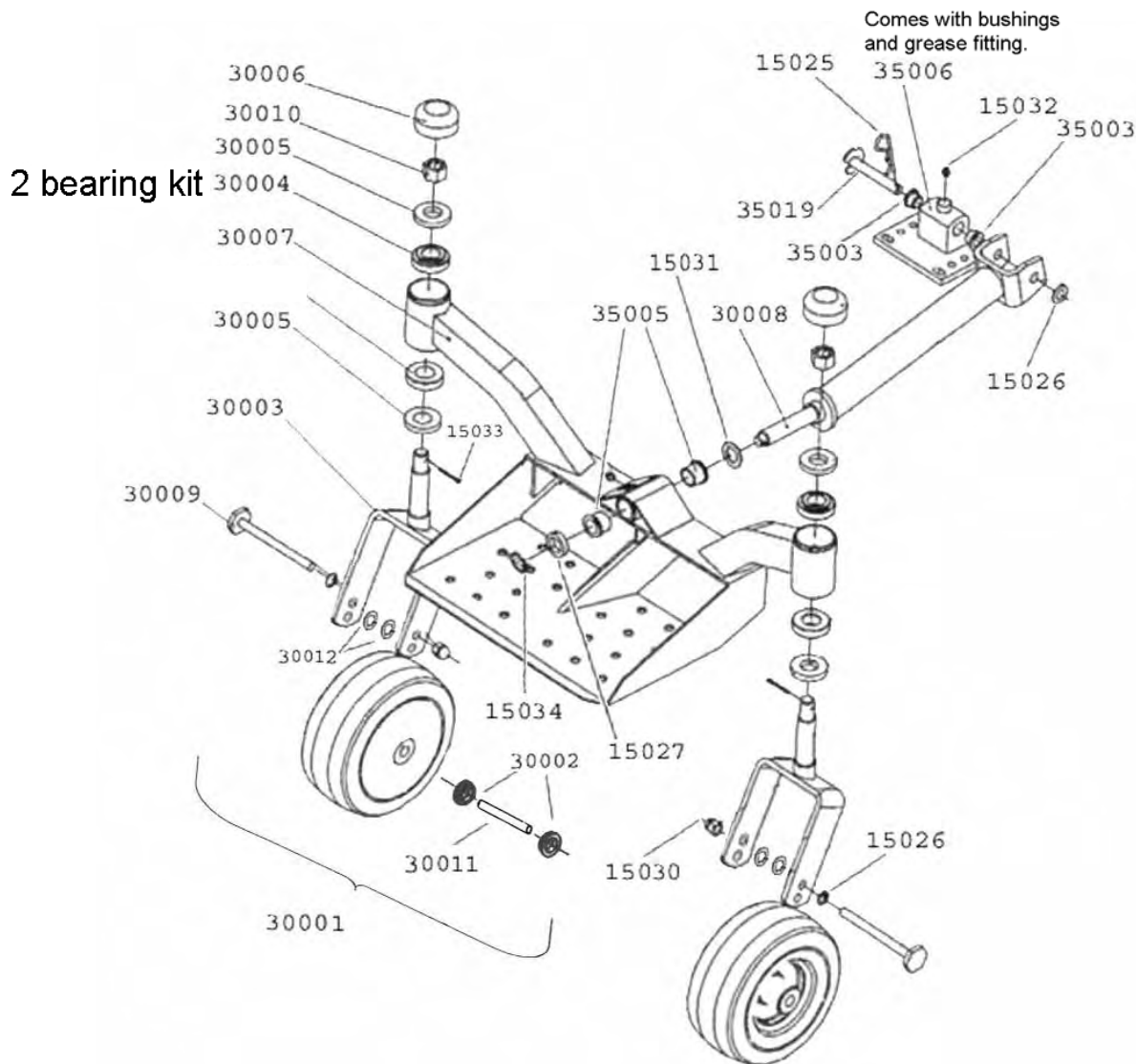
Havener Enterprises, Inc. • 368 S. Michigan Ave • Bradley, IL • 60915 • [www.mowersulky.com](http://www.mowersulky.com)  
Phone: 815.935.8383 Fax: 815.935.0138

# Mower Sulky

By Havener Enterprises, Inc.®

## ILLUSTRATED PARTS LIST

### SW2002 Swivel Caster Wheel



#### LIMITED WARRANTY

Havener Enterprises, Inc. warrants that the above product is free from original defect, in workmanship and material for 24 months from date of purchase, which includes a 7 DAY no questions asked return policy. Warranty is void if product has been damaged through causes not arising out of defects in material or in workmanship. This warranty covers parts only. Bent parts of product, tires, tubes, bushings, worn bearing parts, and paint are specifically excluded from this warranty. Havener Enterprises, Inc. disclaims any consequential damages, arising from the breach of any warranty. (Some states do not allow the exclusion of consequential damages, so the above disclaimer may not apply to you.) During the above mentioned warranty period, the product will either be repaired or replaced with a new or reconditioned model of an equal equity (at Havener Enterprises, Inc.'s option) when the product is returned with a copy of the original retail invoice, by UPS (prepaid and insured) to Havener Enterprises, Inc., 368 S Michigan Ave, Bradley, IL 60915 phone: 815.935.8383. Call before returning any product.

7/2/07

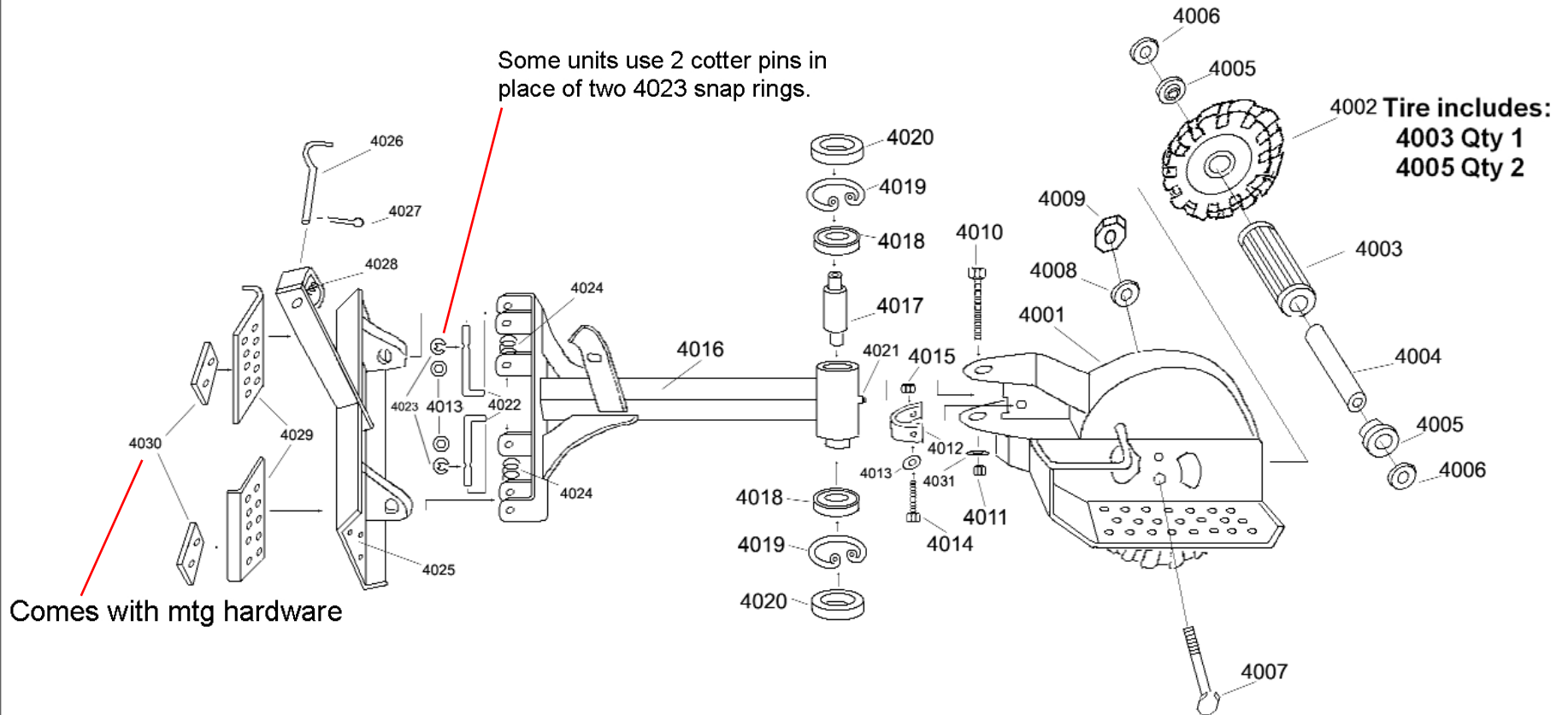
Havener Enterprises, Inc. • 368 S. Michigan Ave • Bradley, IL • 60915 • [www.mowersulky.com](http://www.mowersulky.com)  
Phone: 815.935.8383 Fax: 815.935.0138



# Mower Sulky

By Havener Enterprises, Inc.®

## MS2006 One-Wheel Sulky



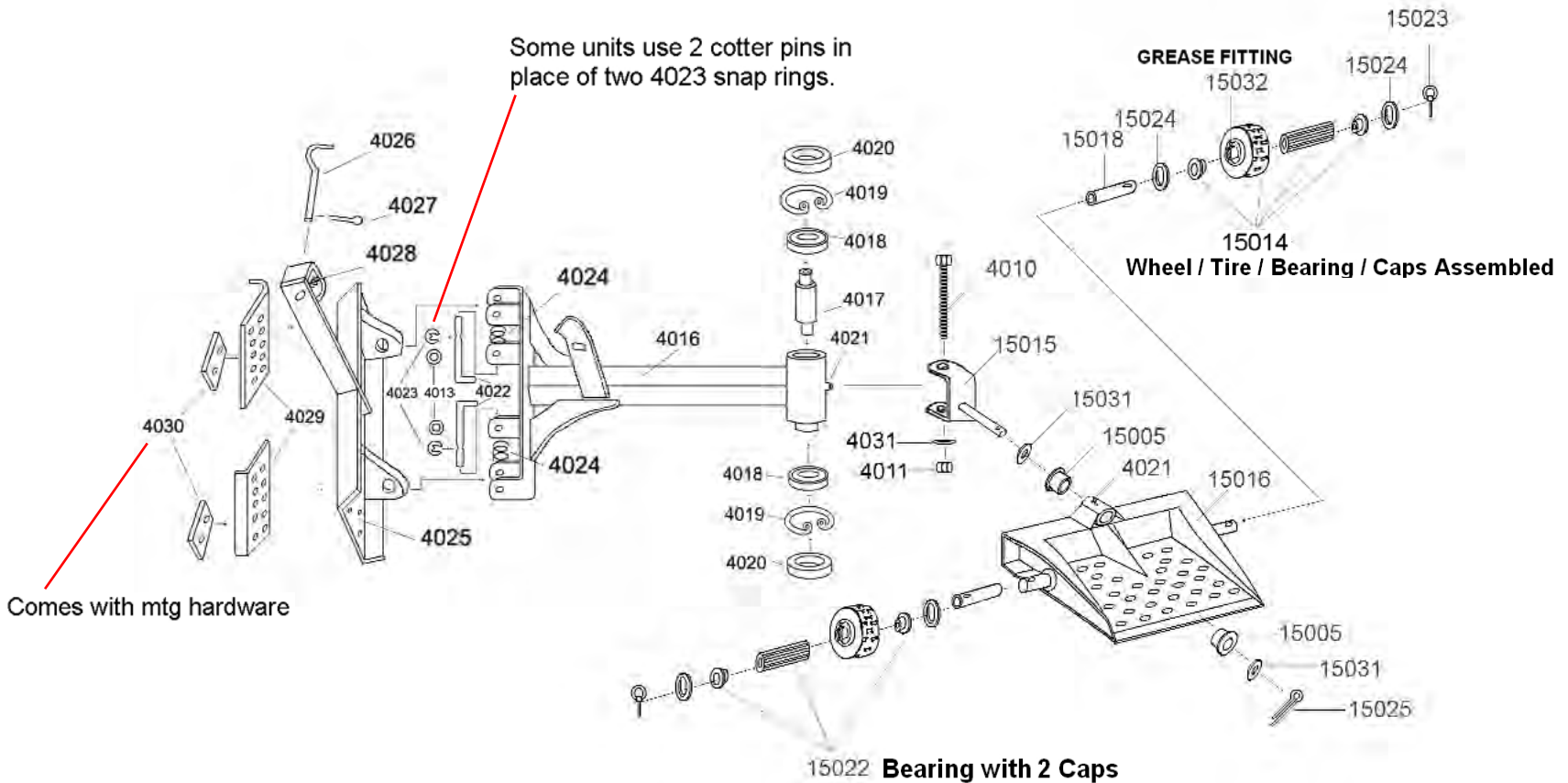
**LIMITED WARRANTY**

Havener Enterprises, Inc. warrants that the above product is free from original defect, in workmanship and material for 24 months from date of purchase, which includes a 7 DAY no questions asked return policy. Warranty is void if product has been damaged through causes not arising out of defects in material or in workmanship. This warranty covers parts only. Bent parts of product, tires, tubes, bushings, worn bearing parts, and paint are specifically excluded from this warranty. Havener Enterprises, Inc. disclaims any consequential damages, arising from the breach of any warranty. (Some states do not allow the exclusion of consequential damages, so the above disclaimer may not apply to you.) During the above mentioned warranty period, the product will either be repaired or replaced with a new or reconditioned model of an equal equity (at Havener Enterprises, Inc.'s option) when the product is returned with a copy of the original retail invoice, by UPS (prepaid and insured) to Havener Enterprises, Inc., 368 S Michigan Ave, Bradley, IL 60915 phone: 815.935.8383. Call before returning any product.

# Mower Sulky

By Havener Enterprises, Inc.®

## TS2006 One-Wheel Sulky



**LIMITED WARRANTY**

Havener Enterprises, Inc. warrants that the above product is free from original defect, in workmanship and material for 24 months from date of purchase, which includes a 7 DAY no questions asked return policy. Warranty is void if product has been damaged through causes not arising out of defects in material or in workmanship. This warranty covers parts only. Bent parts of product, tires, tubes, bushings, worn bearing parts, and paint are specifically excluded from this warranty. Havener Enterprises, Inc. disclaims any consequential damages, arising from the breach of any warranty. (Some states do not allow the exclusion of consequential damages, so the above disclaimer may not apply to you.) During the above mentioned warranty period, the product will either be repaired or replaced with a new or reconditioned model of an equal equity (at Havener Enterprises, Inc.'s option) when the product is returned with a copy of the original retail invoice, by UPS (prepaid and insured) to Havener Enterprises, Inc., 368 S Michigan Ave, Bradley, IL 60915 phone: 815.935.8383. Call before returning any product.

# Mower Sulky

By Havener Enterprises, Inc.®

## SDS2004 Illustrated Parts List

Item	Part No	Description	Qty
1	8001	Seat	1
2	8002	Sulky Frame with bushings	1
3	8003	Hitch Weldment	1
4	8004	Yoke, Wheel Support	2
5	8005	Wheel and Tire with Bearing	2
6	8006	Stabilizing Rod	2
7	8007	Steering Rod	1
8	8008	Seat Spring	1
9	8009	Seat Spacer	1
10	8010	Lock Washer 12 GB93-87	1
11	8011	Hexagon Bolt 12*40 GB5783-86	2
12	8012	Hexagon Bolt 12*50 GB5783-86	2
13	8013	Nut Flange M12 GB6187-86	1
14	8014	Nut Nylon M10 GB889-86	6
15	8015	Hexagon Bolt 10*25 GB5783-86	3
16	8016	Lock Washer 10 GB93-87	6
17	8017	Plain Washer 10 GB5287-85	4
18	8018	Bushing, Flange Pivot	7
19	8019	Bushing, Straight Pivot	3
20	8020	Crank Weldment	1
21	8021	Hexagon Bolt 10*50 GB5782-86	6
22	8022	Rod End LH	3
23	8023	Plain Washer 10 GB95-85	6
24	8024	Rod Spacer	6
25	8025	Turn Buckle Rod	3
26	8026	Nut Thin M10 GB6172-86	3
27	8027	Grease Fitting GB1152-89	5
28	8028	Rod End LH	3
29	8029	Hexagon Bolt 12*170	2
30	8030	Lock washer 12 GB93-87	7
31	8031	Nut M12 GB41-86	2
32	8032	Spacer 4	4
33	8033	Pivot tube, Yoke	2
34	8034	Hexagon Bolt 10*100 GB5782-86	2
35	8035	Pivot Tube Hitch	2
36	8036	Hitch Release Pin	1
37	8037	Hitch Release Spring	1
38	8038	E-Ring 12 GB896-86	1
39	8039	Anti Skid Pad	2
40	8040	Pivot Block	1
41	8041	Hitch, Mower (Not Shown)	1



**LIMITED WARRANTY** Havener Enterprises, Inc. warrants that the above product is free from original defect, in workmanship and material for 12 months from date of purchase, which includes a 7 DAY no questions asked return policy. Warranty is void if product has been damaged through causes not arising out of defects in material or in workmanship. Bent parts of product, tires, tubes, bushings, worn bearing parts, and paint are specifically excluded from this warranty. Havener Enterprises, Inc. disclaims any consequential damages, arising from the breach of any warranty. (Some states do not allow the exclusion of consequential damages, so the above disclaimer may not apply to you.) During the above mentioned warranty period, the product will either be repaired or replaced with a new or reconditioned model of an equal equity (at Havener Enterprises, Inc.'s option) when the product is returned with a copy of the original retail invoice, by UPS (prepaid and insured) to Havener Enterprises, Inc., 368 S Michigan Ave, Bradley, IL 60915 phone: 815.935.8383

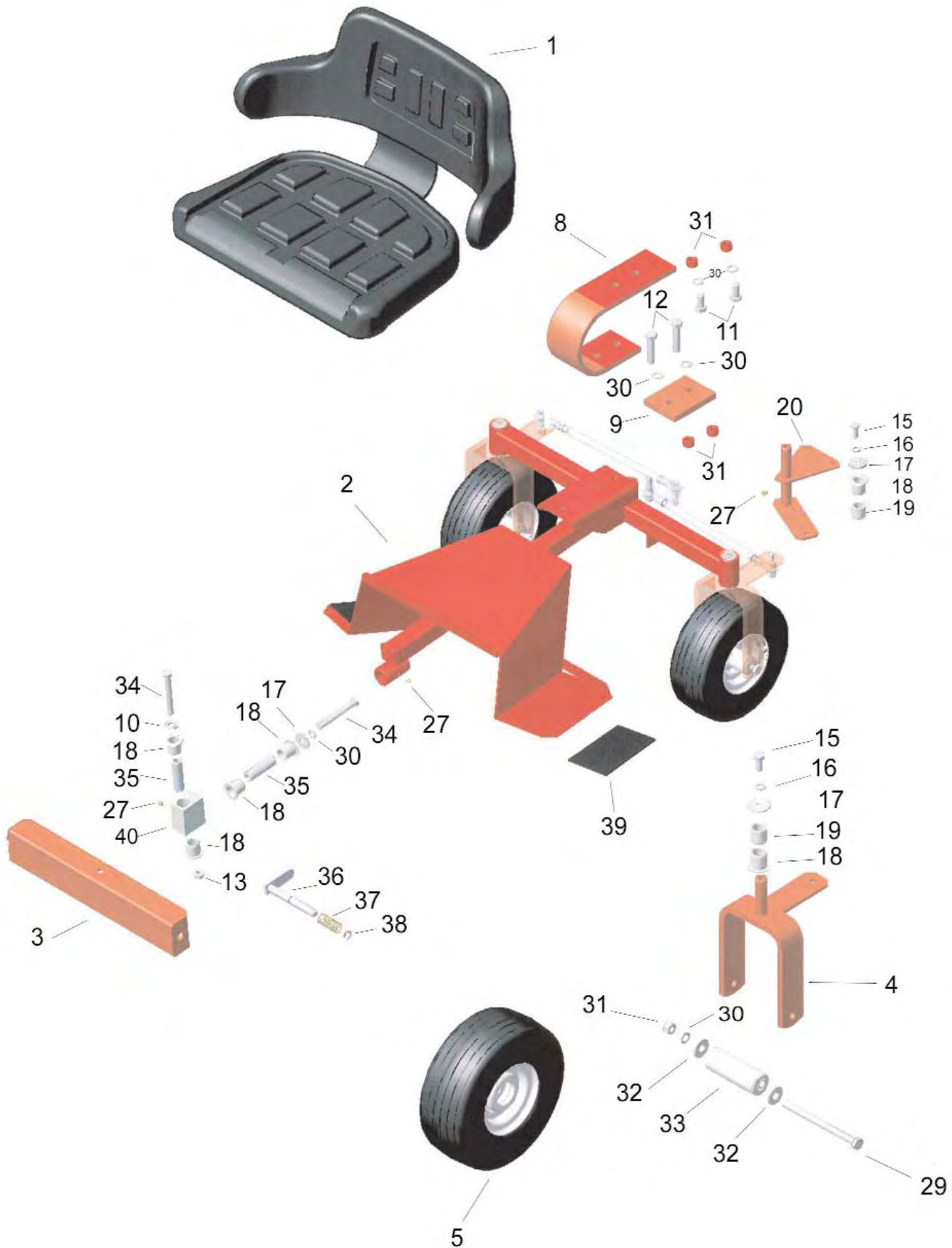
# Operation of Sulky



**FAILURE TO FOLLOW SAFETY PROCEDURES MAY RESULT IN PERSONAL INJURY AND/OR DAMAGE TO EQUIPMENT**

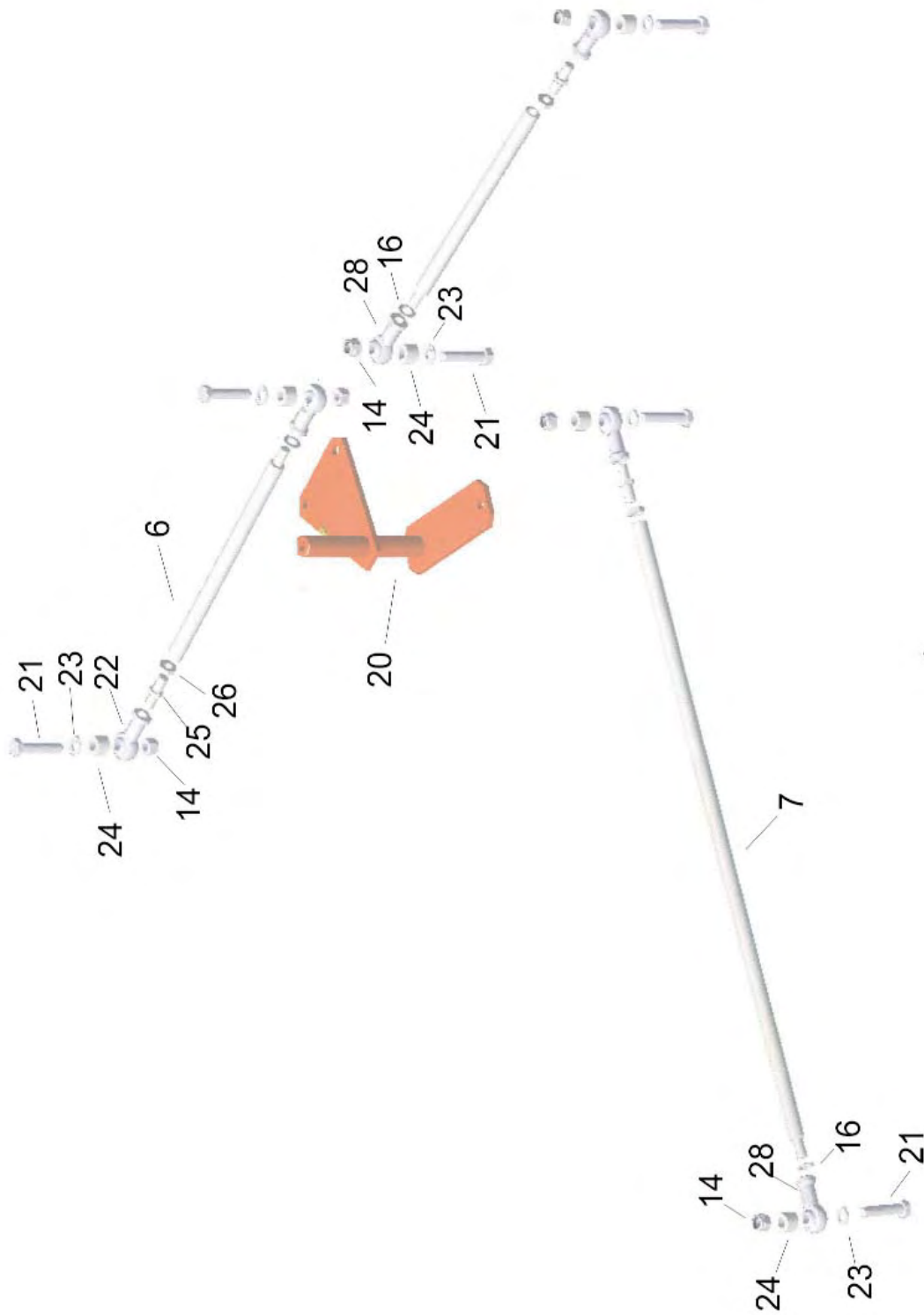
1. Avoid steep slopes and use extreme caution when changing directions.
2. Always stop the mower engine and disengage blades when getting off sulky.
3. Never operate the sulky with defective or damaged parts. Check the tightness of all nuts, bolts, pins, and screws.
4. Do not back up or on a ramp with sulky attached to mower.
5. Do not carry passengers.
6. Before operating sulky look for uneven terrain or items such as stones, sticks, or other foreign objects.
7. Always keep feet on footrest.
8. Never park on hills - only on level ground.
9. Mow only in daylight.

# Frame & Seat Components



## SDS2004 Illustrated Parts List

# Steering Components

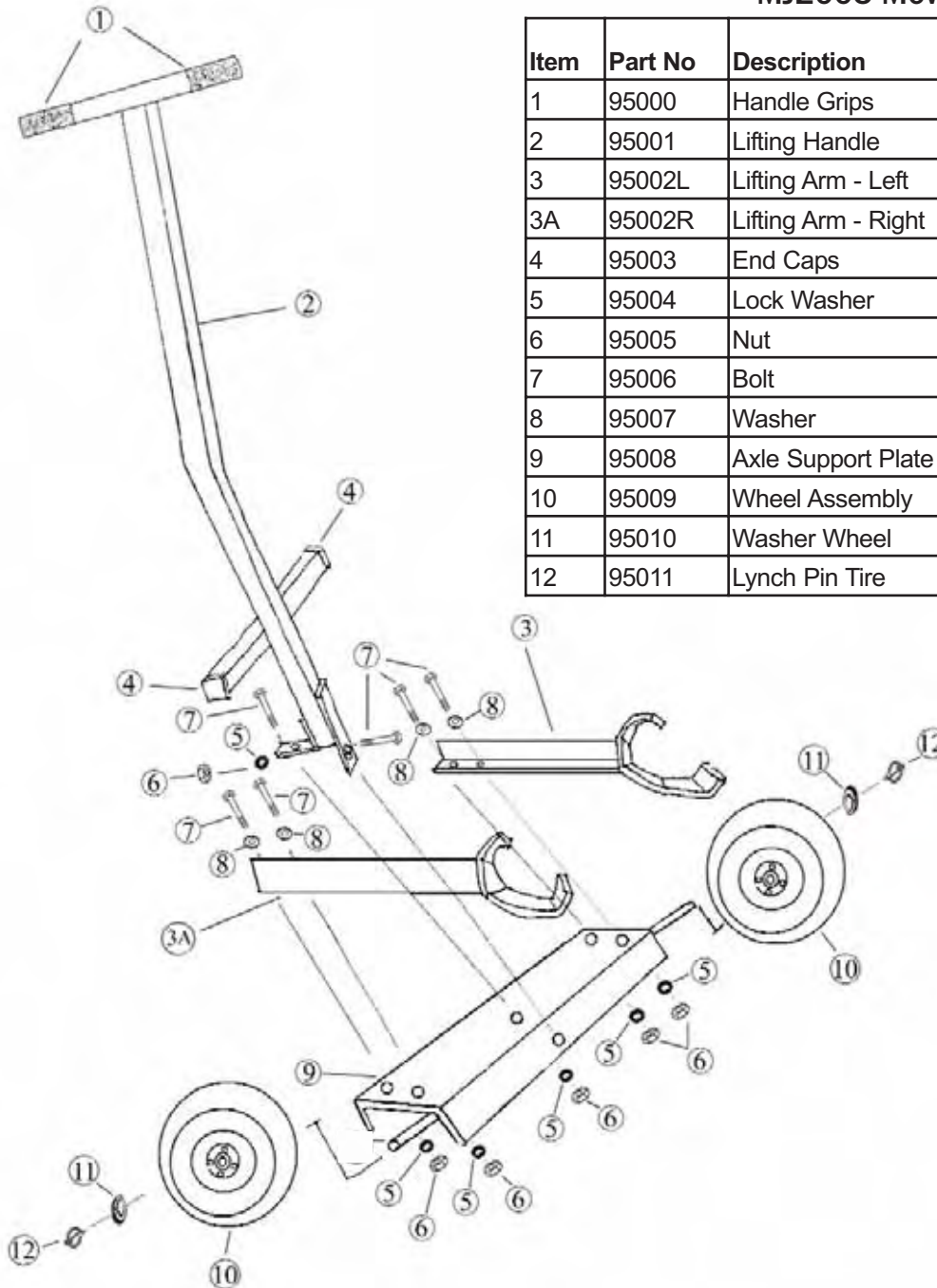


## SDS2004 Illustrated Parts List



# MJ2005 Illustrated Parts List

## MJ2005 Mower Jack



Item	Part No	Description	Qty
1	95000	Handle Grips	2
2	95001	Lifting Handle	1
3	95002L	Lifting Arm - Left	1
3A	95002R	Lifting Arm - Right	1
4	95003	End Caps	2
5	95004	Lock Washer	6
6	95005	Nut	6
7	95006	Bolt	6
8	95007	Washer	4
9	95008	Axle Support Plate	1
10	95009	Wheel Assembly	2
11	95010	Washer Wheel	2
12	95011	Lynch Pin Tire	2

### LIMITED WARRANTY

Havener Enterprises, Inc. warrants that the above product is free from original defect, in workmanship and material for 24 months from date of purchase, which includes a 7 DAY no questions asked return policy. Warranty is void if product has been damaged through causes not arising out of defects in material or in workmanship. This warranty covers parts only. Bent parts of product, fires, tubes, bushings, worn bearing parts, and paint are specifically excluded from this warranty. Havener Enterprises, Inc. disclaims any consequential damages, arising from the breach of any warranty. (Some states do not allow the exclusion of consequential damages, so the above disclaimer may not apply to you.) During the above mentioned warranty period, the product will either be repaired or replaced with a new or reconditioned model of an equal equity (at Havener Enterprises, Inc.'s option) when the product is returned with a copy of the original retail invoice, by UPS (prepaid and insured) to Havener Enterprises, Inc., 368 S Michigan Ave, Bradley, IL 60915 phone: 815.935.8383. Call before returning any product.

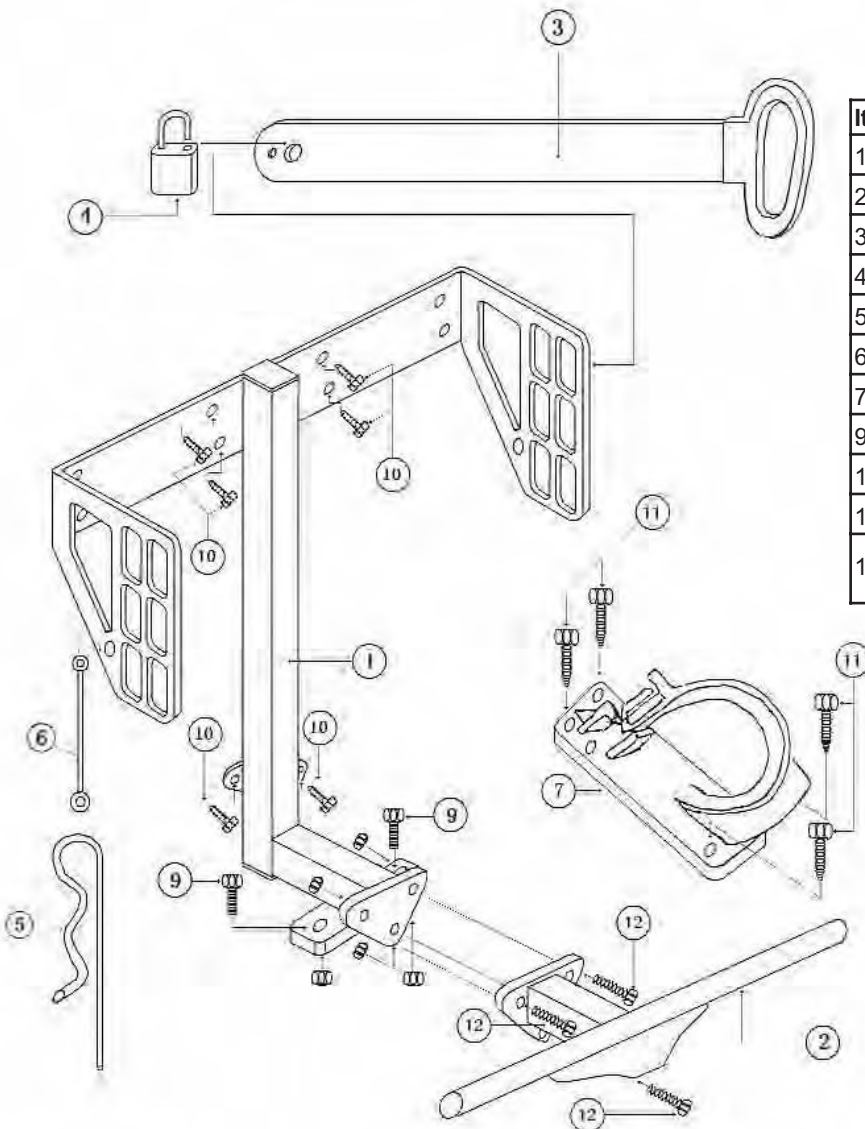
7/2/07

Havener Enterprises, Inc. • 368 S. Michigan Ave • Bradley, IL • 60915 • [www.mowersulky.com](http://www.mowersulky.com)  
 Phone: 815.935.8383 Fax: 815.935.0138



# Equipment Guard II BR3000 Blower Rack

## ILLUSTRATED PARTS LIST



Item	Part No.	Description
1	37011	Frame
2	37012	Connector
3	37013	Safe Bar
4	37014	Lock
5	37008	Hair Pin Cotter
6	37001	Long Strap
7	37015	Blower Tube Holder
9	37017	Bolt -1 Locknut 10x30mm
10	37018	Screw 6x35mm
11	37019	Screw 5x25mm
12	37020	Bolt with 1 Locknut & 2 Washers 6x25mm

**LIMITED WARRANTY:** Havener Enterprises, Inc. warrants that the above product is free from original defect, in workmanship and material for 24 months from date of purchase. Warranty is void if product has been damaged through causes not arising out of defects in material or in workmanship. This warranty covers parts only. Bent parts of product, coating and paint are specifically excluded from this warranty. Havener Enterprises, Inc. disclaims any consequential damages, arising from the breach of any warranty. (Some states do not allow the exclusion of consequential damages, so the above disclaimer may not apply to you.) During the above mentioned warranty period, the product will either be repaired or replaced with a new or reconditioned model of an equal equity (at Havener Enterprises, Inc.'s option) when the product is returned with a copy of the original retail invoice, by UPS (prepaid and insured) to Havener Enterprises, Inc., 368 S Michigan Ave, Bradley, IL 60915 phone: 815.935.8383. Call before returning any product.

7/2/07

Havener Enterprises, Inc. • 368 S. Michigan Ave • Bradley, IL • 60915 • [www.mowersulky.com](http://www.mowersulky.com)  
Phone: 815.935.8383 Fax: 815.935.0138





# Spare Parts List

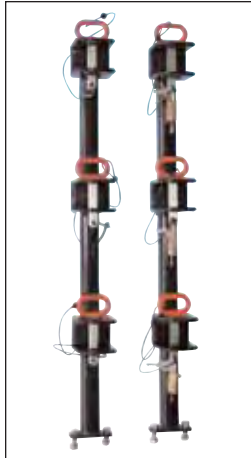
## Equipment Guard II

TG3000

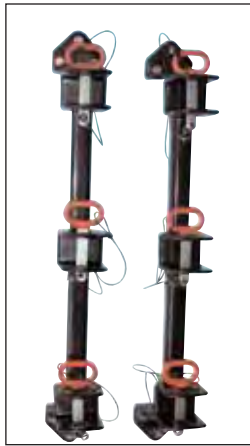
TG3500

TG2002

TG2000



A



B



C



D

Part No.	Description	Unit Pack	Fits
37001	Long Strap For Flat Pin	Pack of 10	A, B
37002	Short strap for locks and lynch pin	Pack of 10	A, B
37003	Flat pins	Pack of 3	A, B
37004	Bolts	Pack of 10	A, B
37005	Nyloc Nut	Pack of 10	A, B
37006	Strap screws	Pack of 10	A, B
37008	Spring Pin	Pack of 10	A, B
37009	Set of three pad locks keyed alike	Set of 3	A, C, D
37010	TG2000 replacement Tips	Set of 6	D

### Additional Equipment Guard II Parts

Part No.	Description	Fits
37021	Strap	WC2000, WC3000
37022	Bungee Cord	MP2000

**LIMITED WARRANTY:** Havener Enterprises, Inc. warrants that the above product is free from original defect, in workmanship and material for 24 months from date of purchase. Warranty is void if product has been damaged through causes not arising out of defects in material or in workmanship. This warranty covers parts only. Bent parts of product, coating and paint are specifically excluded from this warranty. Havener Enterprises, Inc. disclaims any consequential damages, arising from the breach of any warranty. (Some states do not allow the exclusion of consequential damages, so the above disclaimer may not apply to you.) During the above mentioned warranty period, the product will either be repaired or replaced with a new or reconditioned model of an equal equity (at Havener Enterprises, Inc's option) when the product is returned with a copy of the original retail invoice, by UPS (prepaid and insured) to Havener Enterprises, Inc., 368 S Michigan Ave, Bradley, IL 60915 phone: 815.935.8383. Call before returning any product.

7/2/07

Havener Enterprises, Inc. • 368 S. Michigan Ave • Bradley, IL • 60915 • [www.mowersulky.com](http://www.mowersulky.com)  
 Phone: 815.935.8383 Fax: 815.935.0138