



OWNER'S MANUAL & PARTS LIST

Sep. 10th 2023

TABLE OF CONTENTS

About This Manual	3
Warranty Statement	4
Safety Information	5
Read This Manual Carefully and Thoroughly Before Operating Your Mower!	5
Before Using Equipment	5
Operation of Equipment	6
OPERATING THE MOWER	7
Operating Controls	7
Starting The Engine	8
Stopping the Mower	9
Moving the Mower	10
GENERAL MAINTENANCE	11
Maintenance Schedule	11
Fuel	12
Engine Oil	12
Air Filler	12
Tire Pressure	12
Blades	12
Cleaning The Mower	12
Lubrication Points	13
SERVICE ADJUSTMENTS	14
Engine To Blade Belt Adjustment For 36"	14
Engine To Hydro Transmission Belt Adjustment	15
Safety System Adjustment	15
Neutral Adjustment	15
Tracking Adjustment	16
TROUBLE SHOOTING	17-18
36" Briggs & Stratton Rear Deck Assembly	19-20
36" Honda Rear Deck Assembly	21-22
36" Frame Assembly	23
36" Front Deck Assembly	24-27
36" Transmission Drive Assembly	28-30
36" Brake And Wheel Assembly	31-32
36" Handle Control Assembly	33-35
36" Front Caster Assembly	36
36" Fuel tank Assembly	37
Safety and information decals	38
Briggs & Stratton wiring diagram	39
Honda wiring diagram	40
Product Registration	42

ABOUT THIS MANUAL

Congratulations on the purchase of your new Bradley commercial mower. We at Havener Enterprises, Inc. are confident that this mower will provide you with years of excellent performance, durability, and trouble-free service when operated and maintained as directed in this manual.

This owner's manual is considered a permanent part of the mower. It must be available to all of the operators and/or person(s) servicing the mower. Should the mower be resold, this manual must remain with the mower.

All information, illustrations, and specifications contained in this manual were in effect at the time of publication. Havener Enterprises, Inc. reserves the right to change, modify, and/or discontinue specifications and/or design without notice. If there is a change that has been made to your mower which is not shown or reflected in this manual, please see your authorized Bradley dealer before operating and/or servicing the equipment.

Should you ever have any questions regarding the operation, maintenance, or safety of your mower, please contact your authorized Bradley dealer who has been specially trained on operation and service of Bradley Commercial Lawn Mowers.

A space has been provided below to record information about your new Bradley Commercial Lawn Mower. Please take time to record such information for future reference, especially when you contact an Authorized Bradley dealer with questions.

Date Purchased:	_____
Model Number:	_____
Serial Number:	_____
Place of Purchase:	_____

Havener Enterprises, Inc.
368 S. Michigan Ave.
Bradley, IL 60915
815.935.8383
www.havenerent.com
info@havenerent.com

WARRANTY STATEMENT

Bradley Commercial Lawn Mowers are warranted for one (2) year for the original date of purchase against defects in material or workmanship, when operated and maintained in accordance with the Bradley Owner's Manual. Havener Enterprises, Inc. will replace or repair, free of charge, any part of the original equipment returned to us or our authorized servicing representative with transportation or postage prepaid and upon examination deemed defective. The cost of replacing items subject to normal wear, such as but not limited to: air filters, batteries, belts, blades, oil filters, and tires will be borne by the purchaser/owner unless such wear was caused by a defect in material and workmanship. The Pumps and Engines are warranted by their respective manufacturer(s). Please see engine owner's manual for engine warranty.

This warranty does not cover any mower that has been subject to neglect, negligence, misuse, or accident, or that has been operated in any way contrary to the operating instructions as specified in the Bradley Owner's Manual. This warranty does not cover any mower that has been altered or modified changing its performance or durability. In addition, the warranty is not extended to repairs made necessary by the use of parts or accessories which, in the reasonable judgment of Havener Enterprises, Inc. are incompatible with the mower or adversely affect its operation, performance, or durability.

Havener Enterprises, Inc. assumes no responsibility or incidental, consequential, or other damages including, but not limited to, expense for gasoline, expense of delivering the mower to a Bradley authorized dealer and expense of returning it to the owner, mechanic's travel time, telephone or communication charges, rental of a like product during the time warranty repairs are being performed, travel, loss or damage to personal property, loss of revenue, loss of the use of the time or inconvenience. There are no other expressed or implied warranties and liability for consequential damages under this warranty and are excluded to the extent exclusions are permitted by law.

No warranty service will be authorized until your product registration has been received by Havener Enterprises, Inc.

SAFETY INFORMATION

Read This Manual Carefully and Thoroughly Before Operating Your Mower!

1. Carefully and thoroughly read the owner's manual. Allow adequate time to fully understand the controls and operation of the equipment. Never allow anyone to operate the mower that has not read and fully understood the owner's manual.
2. Never allow anyone to operate the mower who is not old enough, large enough, and strong enough to safely handle the machine.
3. Do not carry passengers. Avoid mowing while people, especially children, and pets, are nearby since rotating blades can throw rocks and other items with enough force to cause serious injury.

BEFORE USING EQUIPMENT

OPERATOR

Wear protective clothing while mowing. Long trousers and safety glasses will help reduce the risk of injury from thrown objects. It is recommended that steel toe shoes with aggressive soles or some other type of substantial footwear be worn to help protect your feet and maintain traction on slopes or uneven ground.

MOWING AREA

Thoroughly inspect the area where the equipment is to be used. Look for items such as stones, sticks, bones, wire, and other foreign objects. When struck by the mower, these and other objects may become projectiles that could lead to serious injury and/or death.



MOWER

For your safety and the long life of your mower, always inspect the mower before each use. Before inspection, make sure the mower is on a flat and level surface, the blades are disengaged, the ignition switch off with the key removed, and the spark plug wire is off of the spark plug(s) and hidden so that accidental contact cannot be made.

GENERAL CONDITION

1. Walk around the mower looking for any fluid spills or leaks on or underneath the mower. Remove any and all excessive debris, dirt, and/or fluids.
2. Look for signs of damage or excessive wear. Check the tightness of all nuts, bolts, pins, and screws. Tighten any that may be loose and replace any that may have been lost during use.
3. Be sure the safety interlock controls are operating properly so that the engine cannot be started unless the ground speed control lever is in neutral and the blades disengaged.
4. Check the mower blades for any damage or abnormal wear and replace in sets so that they are balanced.
5. Check the tire pressure on all four (4) tires. See page 12 for details.
6. Check all belts for proper wear and correct tension. See pages 14-16 for details.
7. Check engine oil and air filter as recommended in the engine manufacturer's operators manual.

OPERATION OF EQUIPMENT

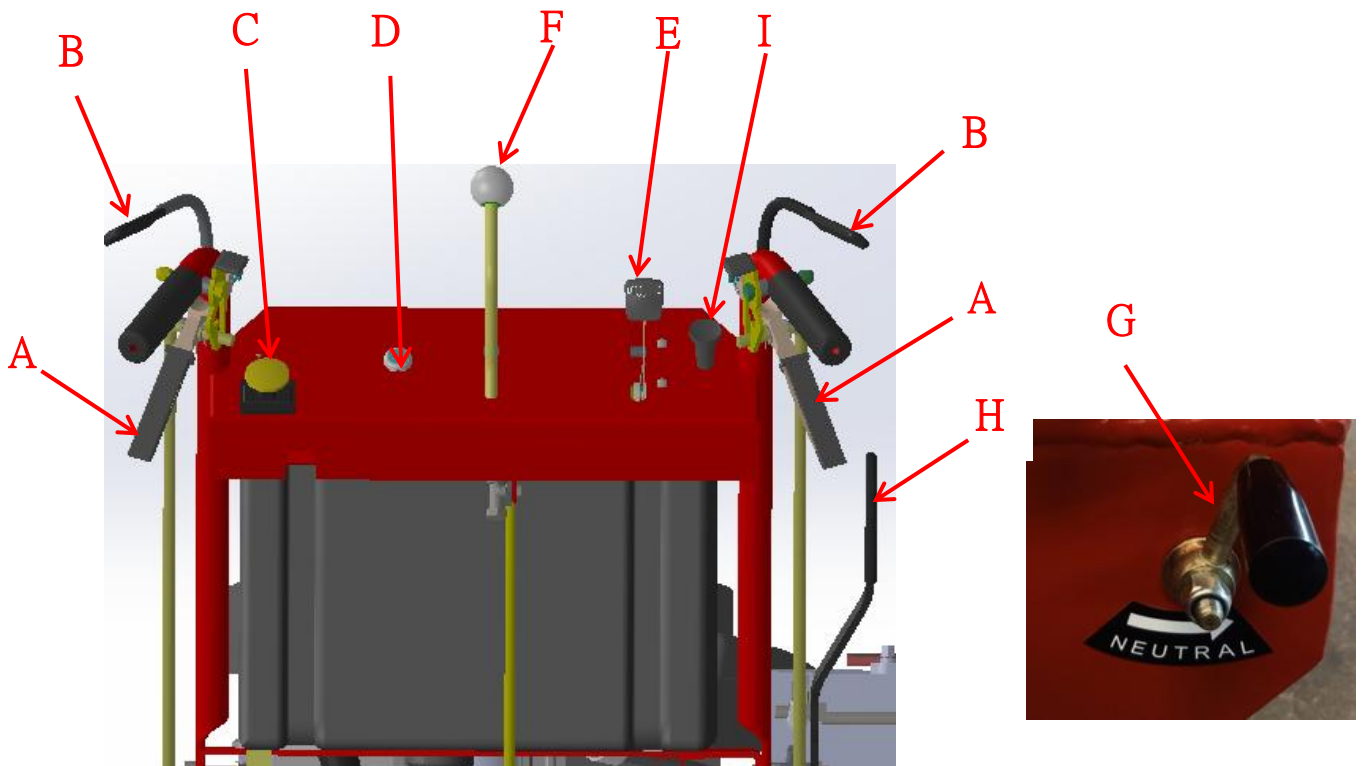
8.  **DANGER: GASOLINE IS HIGHLY FLAMMABLE AND EXPLOSIVE. DO NOT ADD FUEL WHILE THE ENGINE IS RUNNING OR IS HOT. KEEP OPEN FLAMES, SPARKS, AND HEAT AWAY FROM THE FUEL AND STORE FUEL IN CONTAINERS SPECIFICALLY DESIGNED FOR THAT PURPOSE. ADD FUEL OUTDOORS ONLY AND IF THE FUEL IS SPILLED, DO NOT START THE ENGINE. MANUALLY PUSH THE MOWER AWAY FROM THE SPILL AND IMMEDIATELY WIPE UP.**
9.  **DANGER: GASES EMITTED BY A CHARGING BATTERY ARE EXPLOSIVE. KEEP HEAT, SPARKS AND OPEN FLAMES AWAY FROM A CHARGING BATTERY.**
10. Do not operate the engine in a confined space where dangerous carbon monoxide fumes can collect. Carbon monoxide is odorless, tasteless, and can be fatal.
11. Mow only in daylight.
12. Make sure the mower is in neutral and the blades are disengaged before attempting to start the engine.
13. Do not stop or start suddenly when going uphill. Never use riding attachments on slopes since there is an increased risk that they might roll over.
14. Avoid steep slopes and use extreme caution when changing directions or speed when operating on a slope.
15. Be extremely careful when operating on a slope or when the grass is damp or wet. Reduced traction could cause sliding. Never mow by pulling the mower back towards you as you might slip.
16. Watch for traffic when crossing surfaces other than grass (i.e. transporting), loading a trailer or vehicle, or when the mower is not in use.
17. Never operate the mower with defective guards, shields, or without the safety devices securely mounted in place.
18. Never direct discharge of material toward bystanders or allow anyone near the mower while in operation.
19. Do not change the engine governor settings or over-speed the engine.
20. Always stop the engine whenever you leave the mower, even for a moment.
21. To help reduce the risk of a fire hazard, keep the engine and the area around the engine free of grass, leaves, or any other type of foreign material.
22. Beware of cutting edges. Always wear gloves for safety when performing blade maintenance activities. Beware on multiple blade units since the rotation of one blade may cause the rotation of the other blades.
23. Keep body and hands away from pin holes or nozzles that eject hydraulic fluid since fluid escaping under pressure may have sufficient force to penetrate skin and cause serious injury. If foreign fluid is injected into the skin, it must be surgically removed within a few hours by a doctor familiar with this form of injury. Always use paper or cardboard and not hands to search for leaks.

OPERATING THE MOWER

It is recommended that before you operate the mower, you allow adequate time to fully understand the controls and operation of the equipment. When reading this manual, it is recommended that you do so with the equipment nearby for quick orientation, to reference the controls, and understand maintenance adjustments.

Operating Controls

Before continuing to read the manual, it is recommended that you take adequate time to identify the controls of the mower.



- | | | | |
|----------|----------------------------|----------|---------------------|
| A | Traction Controls | F | Speed Control Lever |
| B | Operator Presence Controls | G | Neutral Lever |
| C | PTO Switch | H | Parking Brake Lever |
| D | Ignition | I | Choke |
| E | Throttle | | |

Starting the Engine



DANGER : DO NOT OPERATE THE ENGINE IN A CONFINED SPACE WHERE DANGEROUS CARBON MONOXIDE FUMES CAN COLLECT. CARBON DIOXIDE IS ODORLESS, TASTELESS, AND CAN BE FATAL

After going through the steps as discussed on pages (6) and (7), you are now ready to start the engine. **NOTE: THIS UNIT WAS SHIPPED WITHOUT**

THE GAS, BE SURE TO ADD FRESH GAS AND TO DOUBLE CHECK THE OIL IN THE ENGINE BEFORE ATTEMPTING TO START THE MOWER.

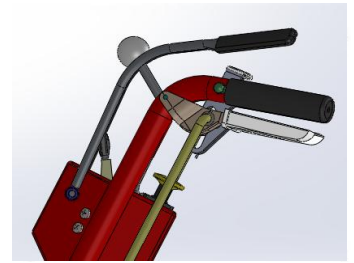


Figure 1

1. Make sure that the traction control lever are in the neutral position (figure 1)
2. Make sure that the parking brake lever is in "ON" position. (figure 2)
3. Make sure that the neutral lever is in position. (figure 3)
4. Make sure that the speed control lever is in the position and the blade control lever is in the "OFF" position. NOTE: The safety interlock system will prevent the engine from being started if the speed control is not in the position and the blade control lever is not in the "OFF" position.
5. Slide the engine control to the position, or to "CHOKE" if the engine is cold.
6. Turn the key clockwise to the "RUN" position.

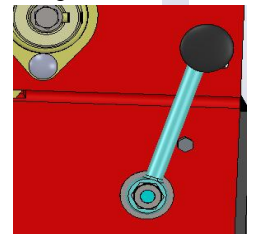


Figure 2

Going Forward:

CAUTION: Become totally familiar with the operation and characteristics of the mower before attempting to actually mow with it.

1. Making sure that the traction control levers are in the neutral position, push down and hold the operator presence control lever "A" on the handle grips with one hand (figure 4).
2. With the other hand, move the gear shift lever to the desired speed. Near the position is slow and near position is for transporting the mower between mowing areas. (figure 5)

It is recommended that you start out in and then increase your ground speed to match the mowing conditions.

3. Release the traction control lever locks by squeezing up both traction control levers "C" only as much as needed while at the same time applying forward pressure in the traction control lever locks "B" with your thumbs.
4. Slowly and evenly, let both traction control levers down simultaneously and the mower will start to go forward. NOTE: If the operator lets go of both operator presence control levers while either the blade control lever is in "ON", and/or the gear shift control lever is out of the neutral position the safety interlock system will stop the engine. To restart the mower, reset all controls to the "OFF" position and neutral "N" positions.



Figure 3

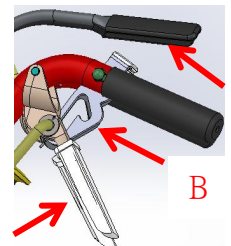


Figure 4

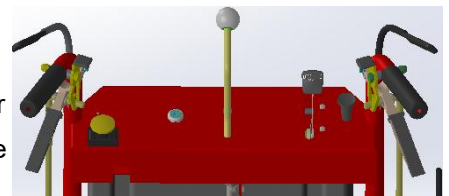



Figure 5

NOTE: Top speed is suggested only for transport!

Turning the Mower


To turn the mower in the direction you want to go, gently squeeze the side's traction control lever (i.e. to go right, squeeze the right traction control lever; to go left, squeeze the left traction control lever). The more a particular traction control lever is squeezed, the sharper a turn the mower will make.

Stopping the Mower


To stop the mower, gently and evenly squeeze up on both of the traction control levers until the mower comes to a complete stop. Then with your thumbs, push down on the traction lever locks until Locked in the levers are securely locked in the neutral position. While still holding down with one hand the operator presence controls, move the gear shift lever to the  position with the other hand. If the operator is leaving the operator's position behind the mower for any reason, disengage the blades, shut the engine off, and remove the key.

If you are leaving the operator's position, try to park the mower on level ground. If it is not possible to do such, be sure to block the wheels to prevent the mower from raling away.

Using the Reverse


1. Slowly and evenly squeeze up on both control levers until the mower comes to a complete stop and then with your thumbs, push down on the traction lever locks until the levers are securely locked in the neutral position.
2. While still holding down the operator presence control with one hand, use the other and pull the blade control lever to the "OFF" position.
3. Move the travel control lever to the  position.
4. Slowly and evenly, squeeze up on both control levers only as much as needed, while at the same time the mower go backwards. The farther both control levers are squeezed, the faster the mower will go in reverse, NOTE: When going in reverse you should look down and behind.
5. To stop the mower, slowly and evenly let both traction control levers down simultaneously until the mower comes to a complete stop.

Mowing

 **DANGER: THOROUGHLY INSPECT THE AREA WHERE THE EQUIPMENT IS TO BE USED. LOOK FOR ITEMS SUCH AS STONES, STICKS, WIRE, AND OTHER FOREIGN OBJECTS. WHEN STRUCK BY THE MOWER, THESE AND OTHER OBJECTS MAY BECOME PROJECTILES THAT COULD LEAD TO SERIOUS INJURY AND OR DEATH. CLEAR AREA OF ALL DEBRIS AND KEEP PEOPLE AND PETS AWAY.**

 **DANGER: DO NOT OPERATE THE MOWER WITH DEFECTIVE GUARDS, SHIELDS, OR WITHOUT THE SAFETY DEVICES SECURELY IN PLACE.**

For the highest quality of cut and performance, always mow with the engine at High throttle. Quality of cut may be determined by the ground speed and speed of the mower. Generally, the slower the mower travels across the terrain, the better the cut.

1. With the mower at the beginning of the area to be mowed and traction control levers in the neutral position, hold down with one hand the operator presence control.
2. With the other hand, slowly pull the PTO switch up.
3. Move the speed control lever to the desired speed. Always begin at a slow ground speed and increase only as the condition of the terrain warrants.
4. Slowly and evenly, engage the traction control levers and begin mowing.
5. To stop mowing, slowly and evenly squeeze up on both traction control levers until the mower comes to a complete stop and then with your thumbs, push on the traction lever locks until the levers are securely locked in the neutral position. Return the speed control lever to the  position.
6. Pull the blade control lever back to the "OFF" position.

Moving the Mower

Moving the Mower without Using the Engine

1. Push the parking lever to the "ON" position.
2. Move the neutral lever to the position (figure 6)
3. Push the parking lever to the "OFF" position. You can now move the mower.



Figure 6

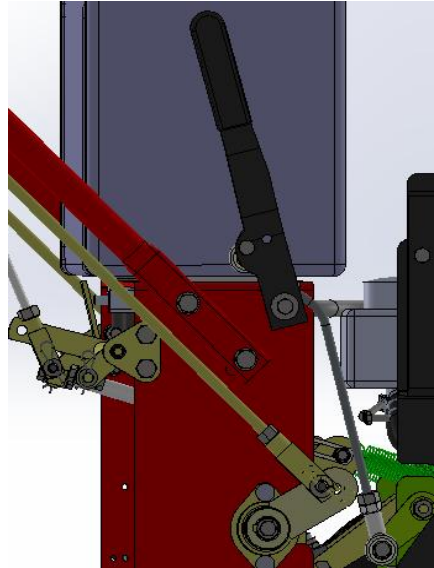


Figure 7

Parking the Mower

Push the parking lever top the "ON" position. (figure 7)

CAUTION: Gently engage the breaking mechanism; Excessive force may cause damage.

WARNING: IF YOU ARE NOT FAMILIAR WITH THE OPERATION OF THE HYDRO DRIVE AND ZERO TURN FEATURE, PRACTICE TURNING AND MANEUVERING WITH THE HAND CONTROLS BEFORE ENGAGING THE BLADE.

GENERAL MAINTENANCE

Proper maintenance and adjustment of your Bradley mower is necessary to keep the mower in good and safe condition. The maintenance of the mower is the responsibility of the owner/operator and must be performed at regular intervals. When replacing any parts of servicing your mower, be sure to use only genuine Bradley mower replacement parts to assure quality and performance of your mower.

DANGER: BEFORE MAKING ANY ADJUSTMENTS AND/OR SERVICING YOUR MOWER, MAKE SURE THE MOWER IS ON LEVEL GROUND, BLADES DISENGAGED, KEY REMOVED, AND THE ENGINE OFF WITH THE SPARK PLUG WIRE(S) REMOVED FROM THE SPARK PLUG(S) TO PREVENT ACCIDENTAL CONTACT. IF ADJUSTMENT OR MAINTENANCE IS BEING PERFORMED AFTER OPERATION OF THE MOWER ALLOW THE UNIT TO COOL SINCE HEAT BUILD UP COULD CAUSE SEVERE BURNS.

Maintenance Schedule

Item	Procedure	Time Interval				
		Break-in (first 5 hrs)	Every 8 hours (Daily)	Every 40 hours (Weekly)	Every 100 hours (Bi-weekly)	Every 200 hours (Monthly)
Belts	Inspect (adjust if needed)	•	•			
Blades	Inspect and Sharpen		•			
Engine Air Filter	Inspect (See Engine Owner's Manual)		•			
Engine Cooling Areas	Clean (See Engine Owner's Manual)				•	
Engine Oil	Check (See Engine Owner's Manual)		•			
	Change (See Engine Owner's Manual)	•			•	
Engine Oil Filter	Change (See Engine Owner's Manual)	•				•
Engine Spark Plug (s)	Inspect (See Engine Owner's Manual)					•
Fuel Filter	Replace				•	
Fuel Line	Check				•	
	Replace	Every 2 years				
Grease Fitting	Refer to Page 13					
Hardware	Check proper tightness	•		•		
Mower Main Frame	Remove debris from under belt cover		•			
	Power Wash Engine Mower			•		
Safety Interlock System	Check Operation and Switches		•			
Tires	Check Air Pressure		•			

Fuel



DANGER: GASOLINE IS HIGHLY FLAMMABLE AND EXPLOSIVE. DO NOT ADD FUEL WHILE THE ENGINE IS RUNNING OR IS HOT KEEP OPEN FLAMES, SPARKS, AND HEAT AWAY FROM THE FUEL AND STORE FUEL IN CONTAINERS SPECIFICALLY DESIGNED FOR THAT PURPOSE. ADD FUEL OUTDOORS ONLY AND IF THE FUEL IS SPILLED, DO NOT START THE ENGINE. MANUALLY PUSH THE MOWER AWAY FROM THE SPILL AND IMMEDIATELY WIPE UP.

Refer to the Engine Owner's Manual for the type of fuel to use.

Engine Oil

CHECK THE ENGINE OIL BEFORE EACH USE. Refer to the Engine Owner's Manual for the type of oil, oil change intervals, and the proper procedures to check and change oil.

Air Filler

Refer to the Engine Owner's Manual for the recommended maintenance.

Tire Pressure

The recommended tire pressure for the two drive wheels is 28 P.S.I. The recommended tire pressure for the two front wheels is 50 P.S.I. Incorrect tire pressure may cause the mower to pull to one side and/or an uneven cut Always use caution when filling the tire and never exceed the recommended tire pressure.

Blades



DANGER: BEFORE WORKING ON THE BLADES, MAKE SURE THE ENGINE IS OFF, KEY REMOVED, AND THE SPARK PLUG(S) WIRES REMOVED FROM THE SPARK PLUG(S) TO PREVENT ACCIDENTAL CONTACT.

CAUTION: Beware of the cutting edges on the blades. Always wear work gloves when performing blade maintenance.

Blades should be inspected on a daily basis for nicks, bends, and or excessive wear. If the blades are worn, cracked bent, or damaged, replace with a new blade immediately before using the mower. Use only genuine Bradley replacement blades since substitute blades may not meet Bradley mowers specifications and may be dangerous.

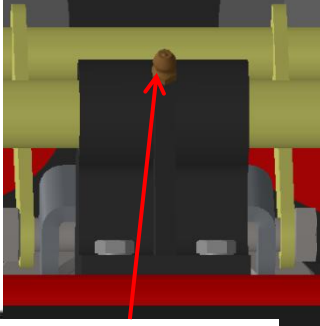
When sharpening the blades, sharpen only the cutting edges and try to maintain the original angle of the blade. Do not make the cutting edge 'razor sharp' and remove the same amount from each side of the blade so that balance is maintained.

Cleaning the Mower

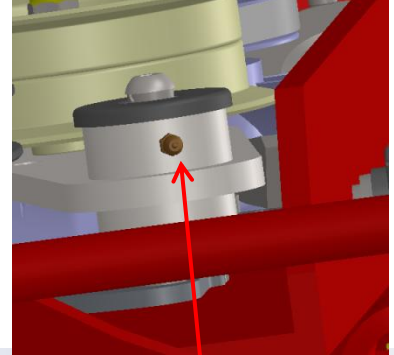
It is recommended that the mower be cleaned in a daily basis. Excessive accumulation of dirt, debris, oil, etc. causes premature wear on the components and may present a potential safety hazard.

Lubrication Points

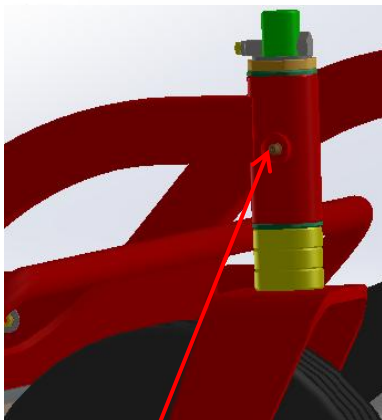
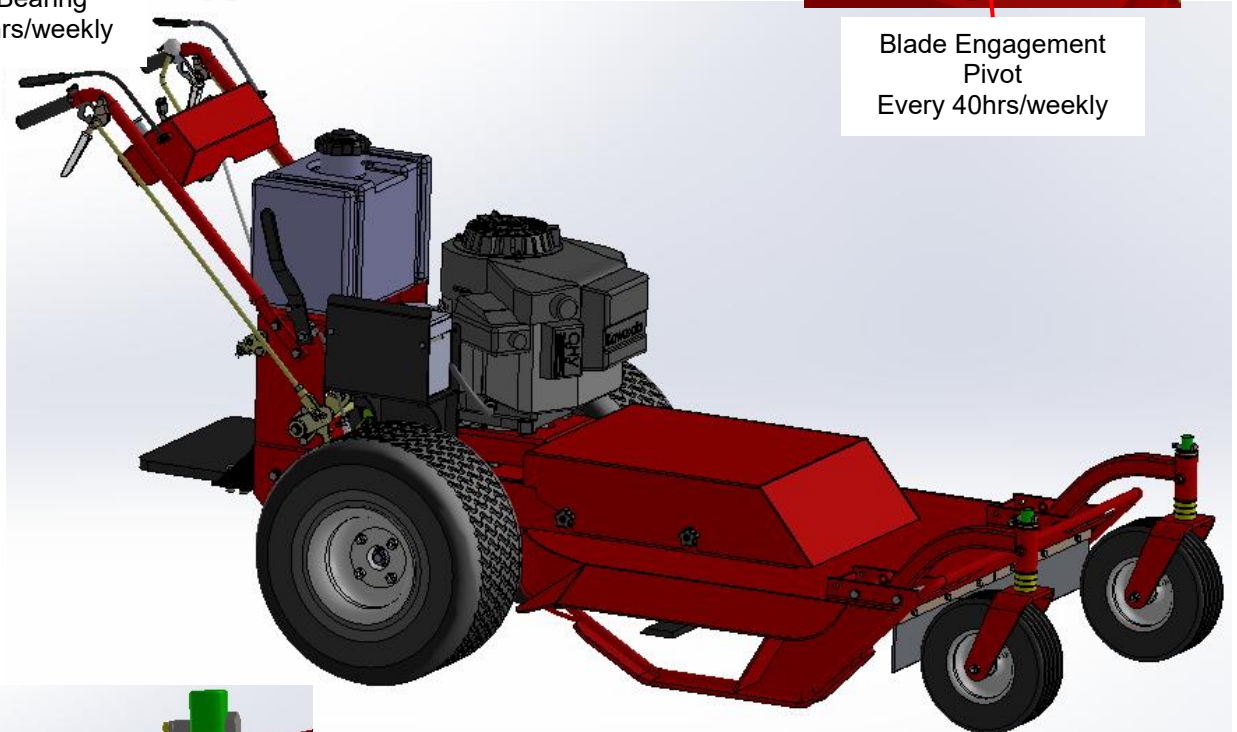
To assure proper lubrication on moving parts, it is recommended that you lubricate the following components with a high-quality EP2 high temperature based grease or equivalent. Should the conditions of operation be more severe than normal the lubrication interval may be shorter than recommended lubricant.



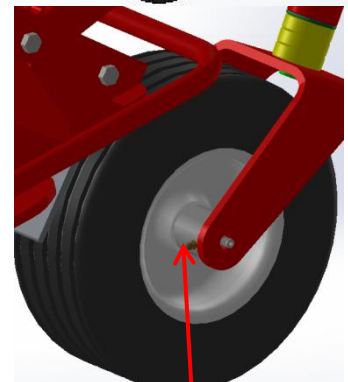
Carrier Bearing
Every 40hrs/weekly



Blade Engagement
Pivot
Every 40hrs/weekly



Front Caster
Support Left &
Right Side
Every
40hrs/weekly



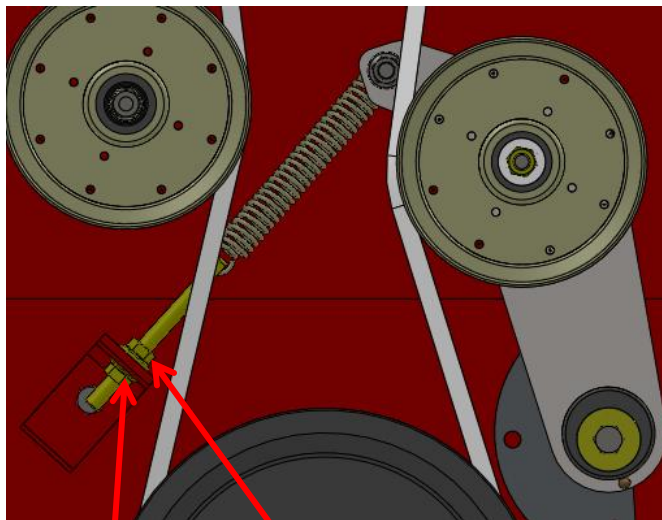
Front Caster
Wheel Left &
Right Side
Every
40hrs/weekly

SERVICE ADJUSTMENTS

⚠ DANGER: BEFORE MAKING ANY ADJUSTMENTS AND/OR SERVICING YOUR MOWER, MAKE SURE THE MOWER IS ON LEVEL GROUND, BLADES DISENGAGED, KEY REMOVED, AND THE ENGINE OFF WITH THE SPARK PLUG WIRE(S) REMOVED FROM THE SPARK PLUG(S) TO PREVENT ACCIDENTAL CONTACT. IF ADJUSTMENTS OR MAINTENANCE IS BEING PERFORMED AFTER OPERATION OF THE MOWER, ALLOW THE UNIT TO COOL SINCE HEAT BUILD UP COULD CAUSE SEVERE BURNS.

Engine to Blade Belt Adjustment For 36" (Refer to Figure 8)

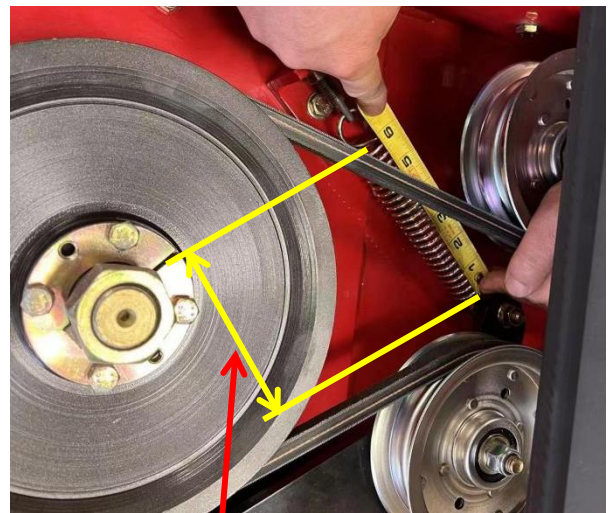
1. Remove center belt guards.
2. Set the cutterdeck in a middle height-of-cut position.
3. Loosen nut **W** and nut **Q** to back tensioning idler off to remove belt from idler. Remove belt from cutterdeck pulleys.
4. Remove belt from clutch pulley.
5. Install the new belt by performing these steps in reverse order.
6. Cutterdeck spring will require tension adjustment after belt installation. Adjust nut **W** and nut **Q** to gain the appropriate tension, the length of the extended spring will be around $5\text{-}3/4 \pm 1/8$ ".



Q

W

Figure 8



Spring extension $5\text{-}3/4 \pm 1/8$ "

Engine To Hydro Transmission Belt Adjustment (Refer to figure 9)

1. The engine to transmission belt, located underneath the rear deck* should move 1/8" with 5 lbs. of pressure applied midway on the belt between the transmission pulley and the engine output shaft pulley.
2. To adjust the belt, loosen nut "A" and turn nut "B" 2 to 3 turns and tighter the nuts
3. Repeat steps 1-2 until the proper amount is achieved.

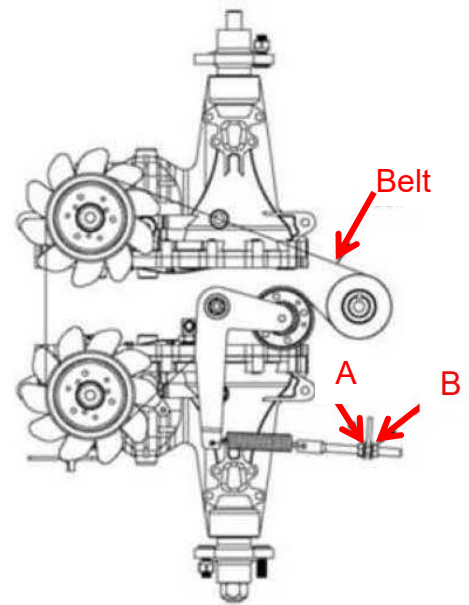


Figure 9


Safety System Adjustment

DANGER: DO NOT BYPASS, MODIFY, ALTER, OR DISCONNECT THE SAFETY SYSTEM. MAKE SURE THAT THE SAFETY INTERLOCK SYSTEM IS FULLY OPERATIONAL EACH TIME BEFORE MOWING, FAILURE TO DO SO COULD PRESENT DANGER TO YOU AND OTHERS AROUND YOU.

1. Move the PTO switch to "OFF".
2. Pull the blade rod from the idler arm.
3. Loosen nut "D" and turn the blade rod 1 to 3 turns reinsert blade rod back into idler arm and secure with the flat washer and hair pin cotter.
4. Check that safety switch "C" is firmly against blade bell crank, if not, repeat steps 2 and 3 until safety switch "C" is firmly against blade bell crank .

Neutral Adjustment

Note: Neutral has been set by your Bradley Mower Dealer at the time of set up and normally does not need to be adjusted, if, however, you find that the neutral has come out of adjustment follow the procedure below.

1. Raise the drive wheels off the ground and block the caster wheels,
2. Make sure the speed control lever is in  position, remove hair pin cotter and the flat washer from swivel each side. Remove swivel from traction idler arm (figure 10),
3. Make sure the PTO is "OFF". Start the engine and note if the tires are rotating.
4. Loosen tracking adjustment nut "A" and "B" on the left side of the machine until the LH wheels starts to creep forward. Make a note of the position of the adjustment nut "A" (figure 11).

1. Turn adjustment nut "A" just until the wheel turns rearward. Make a note of the position of the adjustment nut. To adjust to neutral, split the difference between the two noted positions of the adjustment nut- Tighten the nuts.
2. NOTE: Make sure that the safety switch is engaged.
3. For the right side, repeat step 5. (See figure 11)
4. Make sure that the traction control levers are in the neutral position (Figure 5). Rotate swivels and insert them back into traction idler arm secured with the washer and hair pin cotter

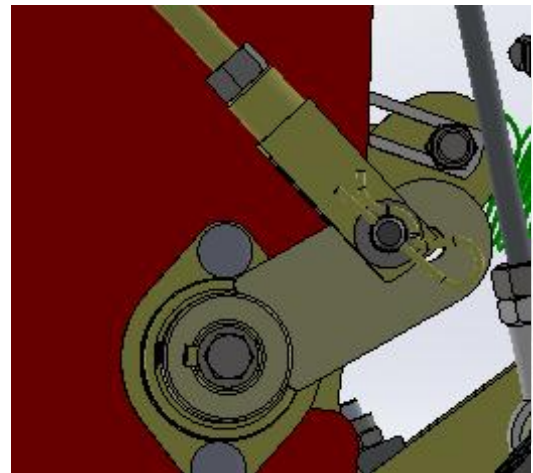


Figure 10

Tracking Adjustment

Only adjust the tracking if the machine is pulling to one side.

1. With the machine on a flat surface, start the engine and place the speed control lever on the speed that will most often be used.
2. Squeeze the control lever and release the tracking lever lock. Slowly release the control levers, allowing the machine to move forward.
3. If the machine pulls to the right side, stop the mower by placing the tracking control levers in the neutral position. Turn the adjustment knob nut counter-clockwise until the machine tracks straight. If the machine pulls to the left side, turn the tracking adjustment knob nut clockwise until the machine tracks straight. (See figure 12).

CAUTION: Before proceeding with this adjustment, be sure that the tire pressure is correct.

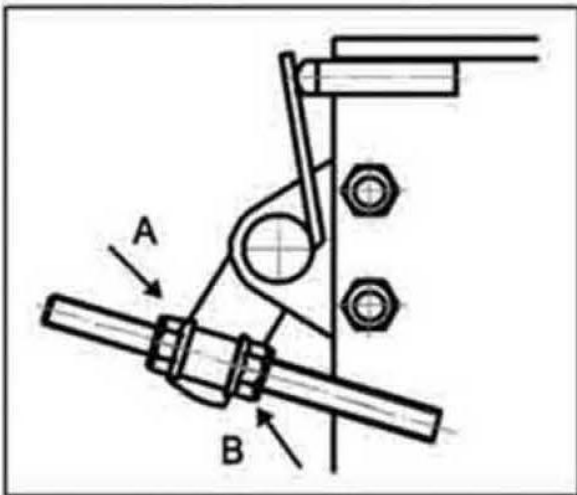


Figure 11

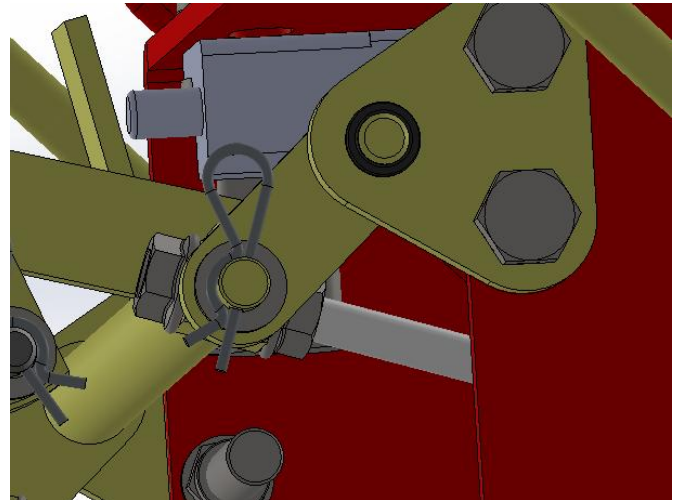


Figure 12

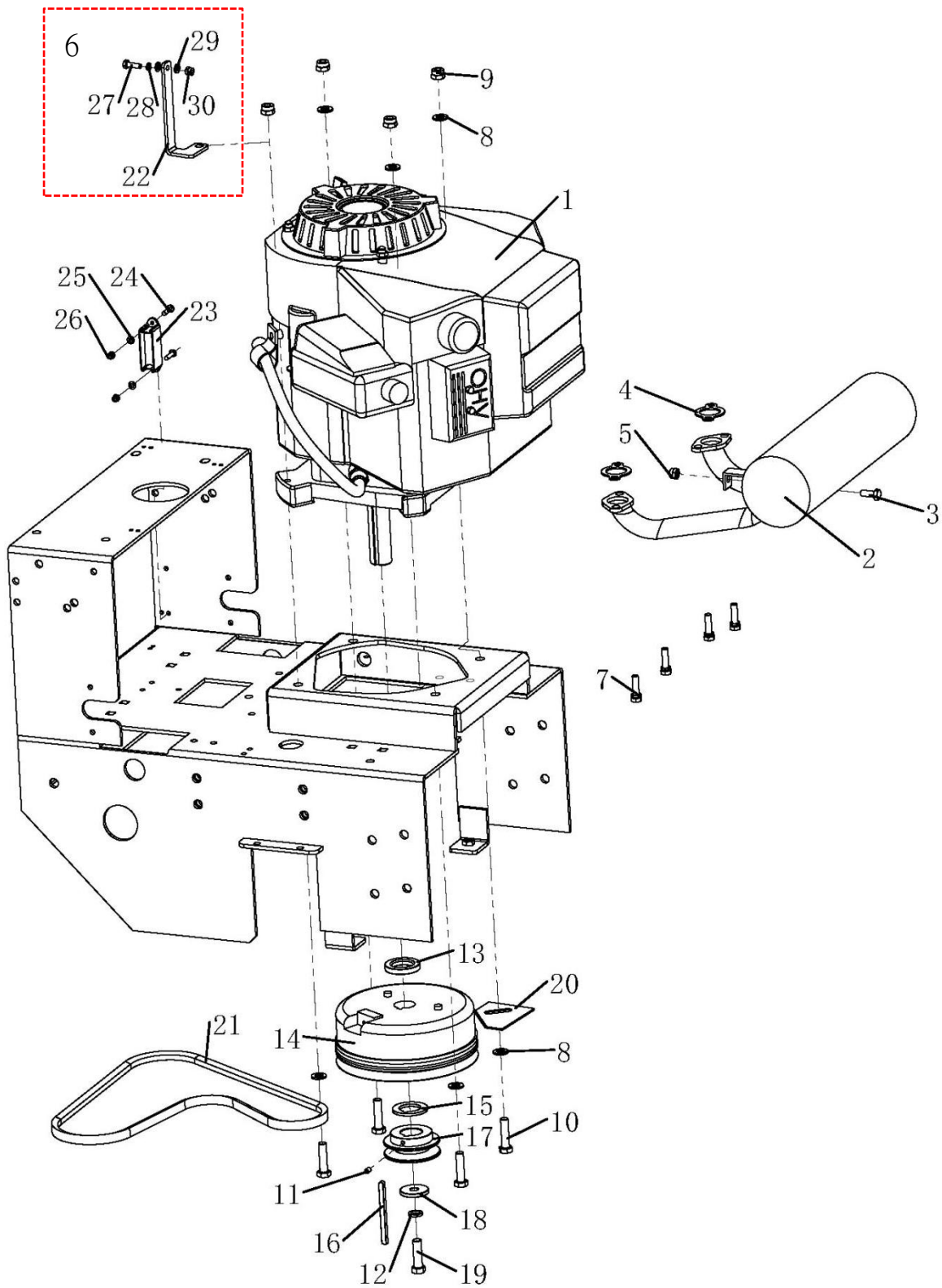
TROUBLE SHOOTING

Problem	Possible Cause	Solution
Engine Does Not Start	Key in the OFF position	Turn key to ON
	Speed control lever not in the neutral position	Move lever in the neutral (page8)
	Blade control not in the OFF position	Move blade control to OFF
	Fuel tank empty	Fill fuel tank
	Safety interlock switch out of adjustment	Adjust switches (page8)
	Spark plug loose or disconnected	Connect spark plug wire
	Bad spark plug	Replace
	Dirty air filter	Replace
	Clogged fuel filter	Replace
Engine Starts Hard Or Loose Power	Bad fuel	Drain and refill with fresh fuel
	Dirt or water in the fuel tank	Drain and clean fuel tank
	Clogged or dirty fuel filter	Replace
	Air filter dirty	Replace
	Faulty spark plug	Replace
Engine Overheats	Incorrect oil level	Check and adjust
	Dirt in fuel line	Clean and replace
	Dirty grass screen	Clean
	Incorrect oil level	Check and adjust
	Dirty air filter	Check and adjust
Engine Overheats	Faulty spark plug	Replace

TROUBLE SHOOTING (CONTINUED)

Problem	Possible Cause	Solution
Mower Does Not Move When Traction Levers are released	Transmission is in neutral	Move transmission lever(page8)
	Engine to transmission belt loose	Check and adjust(page15)
	Incorrect engine to transmission belt adjustment	Check and adjust(page15)
	Engine to transmission belt worn or damaged	Check and replace if necessary
	Speed control lever in neutral position	Move speed control lever
Mower Pulls To One Side	Incorrect tracking adjustment	Check and adjust(page12)
Uneven Cut	Tire pressure not the same in both drive wheels	Check and adjust(page15)
Blades Do Not Turn	Blade belt broken or slipping	Replace or adjust
	Excessive build-up underneath mowing deck	Check and dean
Rough Cut	Unequal space configuration on blades or front casters	Check and adjust
	Ground speed too fast for mowing conditions	Reduce travel speed
	Blades bent	Check and replace(page12)
	Tire pressure in wheels not equal	Check and adjust(page12)
	Unequal spacer configuration on blades or front casters	Check and adjust
	Blades dull	Sharpen or replace(page12)
	Engine not running 3600 r.p.m.	Move throttle to fast
	Blades installed upside down	Remove and replace right side up(page12)
	Excessive build-up underneath	Check and clean mowing deck

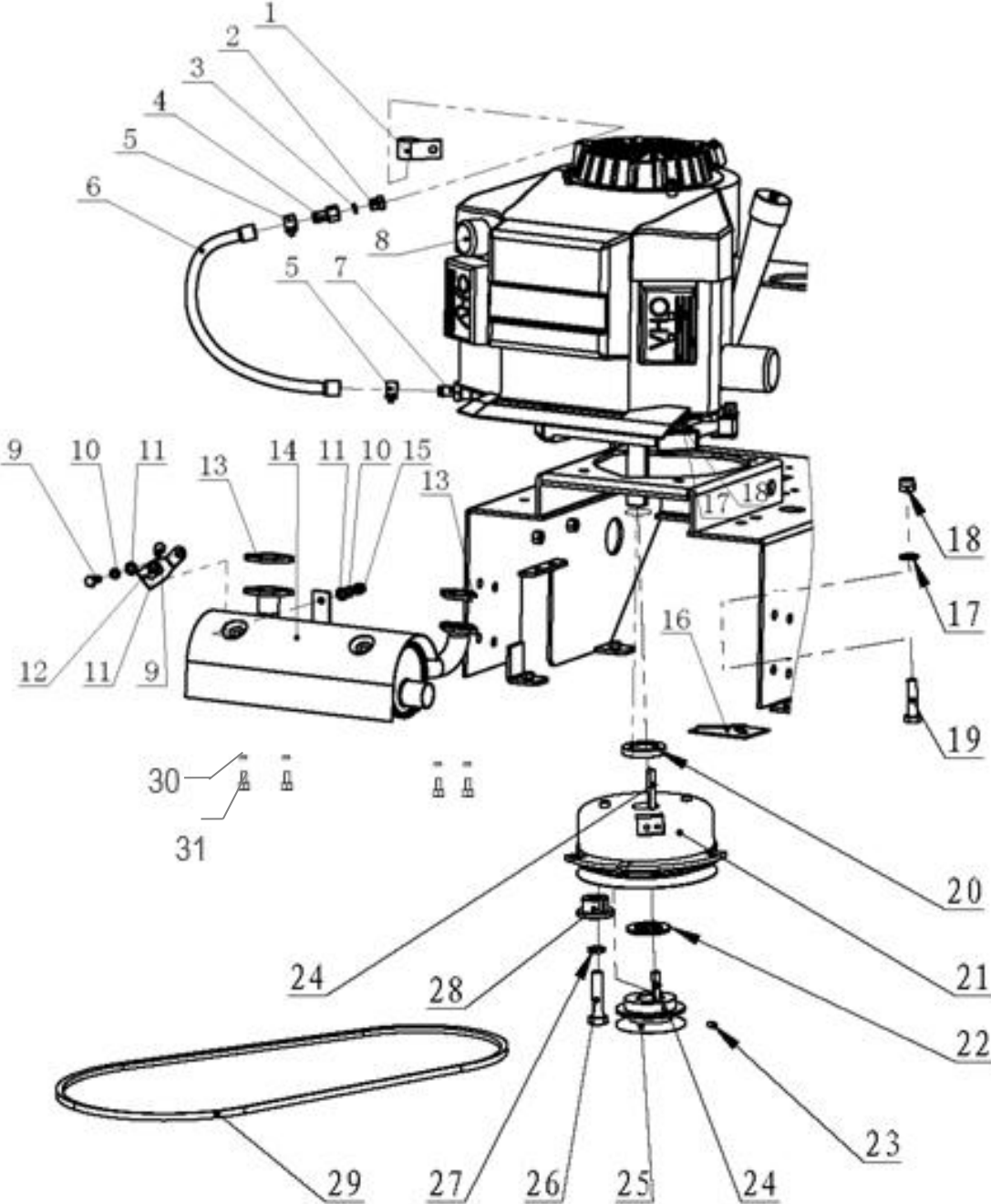
36" BRIGGS & STRATTON Rear Deck Assembly



36" BRIGGS & STRATTON Rear Deck Assembly

Item NO.	Part Number	Description	Qty
1	601-298	B&S ENGINE 25HP-CT	1
2	336-240	Muffler-engine	1
3	600-002-0816	Hexagon Bolt M8-1.25x16	1
4	601-208	Gasket	1
5	600-201-0008	Nylon Nut M8 GB889-86	1
6	601-302	Negative line mounting plate assembly	1
7	200-037	Hexagon Bolt 5/16-18	4
8	200-010	Plain Washer 10 GB95-85	7
9	200-006	Nylon Nut M10 GB889-86	4
10	200-052	Hexagon Bolt M10-1.5x45 GB5782-86	4
11	200-315	Screws M6-1x10GB77	1
12	200-343	Lock Washer 7/16	1
13	WM2836-064	Spacer I	1
14	WM2836-097	Electromagnetic Ogura clutch	1
15	WM2836-065	Spacer II	1
16	WM2836-066	Key 6.35x6x88	1
17	WM2836-020	Pulley, Input	1
18	WM2836-067	Spacer	1
19	200-050	Bolt 7/16-20,Engine	1
20	WM2836-021b	Clutch Stop Bracket	1
21	WM2836-063	Transmission Belt	1
22	601-295	Negative line mounting plate	1
23	WM2836-096	Soft starter	1
24	600-101-0516	Bolt M5-0.8x16 GB818-85	2
25	200-138	Plain Washer 5 GB95	2
26	200-013	Nylon Nut M5 GB889-86	2
27	600-002-0620	Hexagon Bolt M6-1X20 GB5783	1
28	600-305-0006	Spring Washer 6 GB93	1
29	600-301-0006	Plain Washer 6 GB95	2
30	600-201-0006	Nut M6 GB889	1

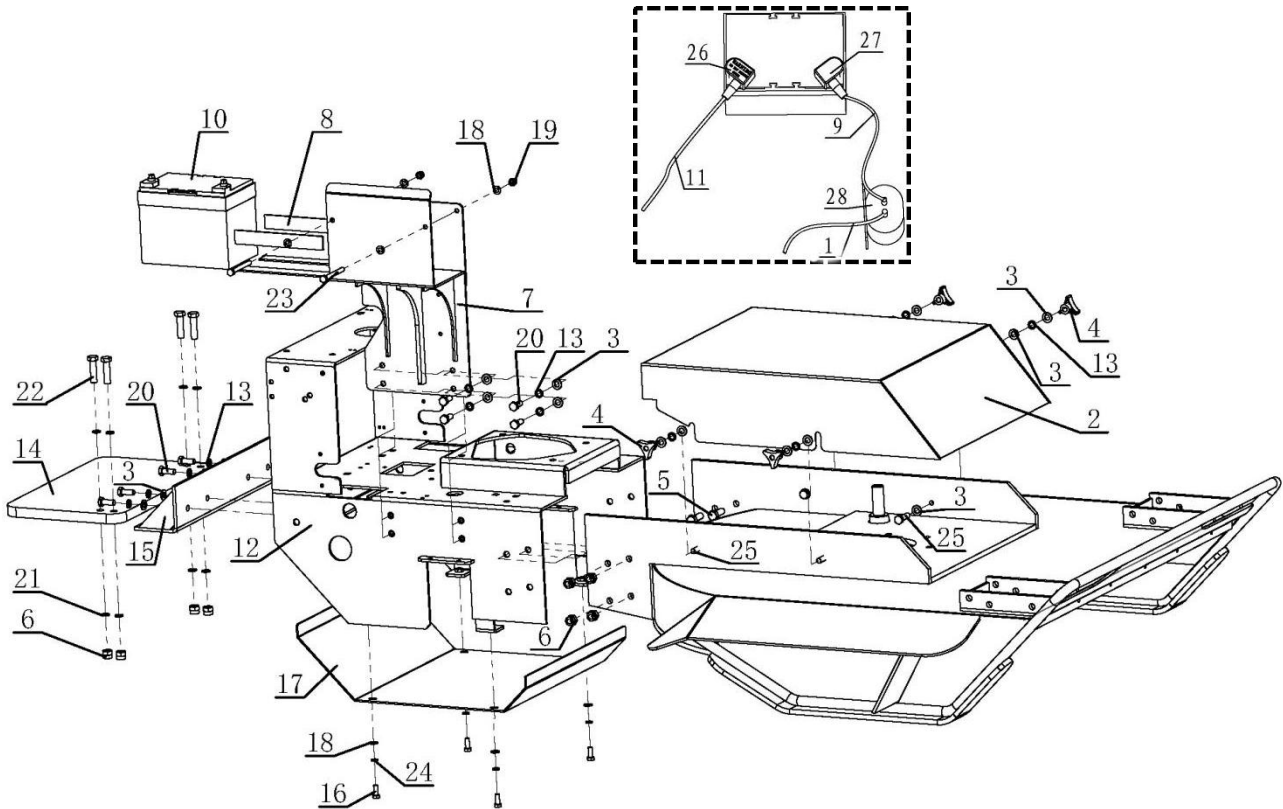
36" HONDA Rear Deck Assembly Discontinued



36" HONDA Rear Deck Assembly

Item NO.	Part Number	Description	Qty
1	601-200	Clamp	1
2	601-201	Plug	1
3	601-202	Nylon cushion	1
4	601-203	Plug connector	1
5	601-204	Oil drain clip	2
6	601-205	Drain tube	1
7	601-206	Oil drain fitting	1
8	601-004	HONDA engine	1
9	600-002-0820	Hexagon bolt M8-1.25x20	2
10	600-305-0008	Lock washer 8	2
11	600-301-0008	Plain washer 8	2
12	601-207	Bracket	1
13	601-208	Gasket	2
14	WM2836-090	Muffler-engine	1
15	600-201-0008	Nylon nut M8	1
16	WM2836-021b	Electromagnetic clutch damper	1
17	200-010	Plain washer 10 GB95-85	4
18	200-006	Nylon nut M10 GB889-86	4
19	200-052	Hexagon bolt M10-1.5x45 GB5782-86	4
20	WM2836-086	Spacer I	1
21	336-282	Electric clutch	1
22	WM2836-065	Spacer II	1
23	200-315	Screws M6-1x10GB77	1
24	WM2836-093	Key 6.35x6x45	2
25	WM2836-020	Pulley, input	1
26	200-335	Bolt 7/16-20 , Engine	1
27	200-343	Lock washer 7/16	1
28	WM2836-067a	Hydraulic brake pulley positioning sleeve	1
29	WM2836-063	Transmission belt	1
30	200-024	Lock washer 8 GB 93-87	4
31	200-037	Hexagon bolt 5/16-18	4

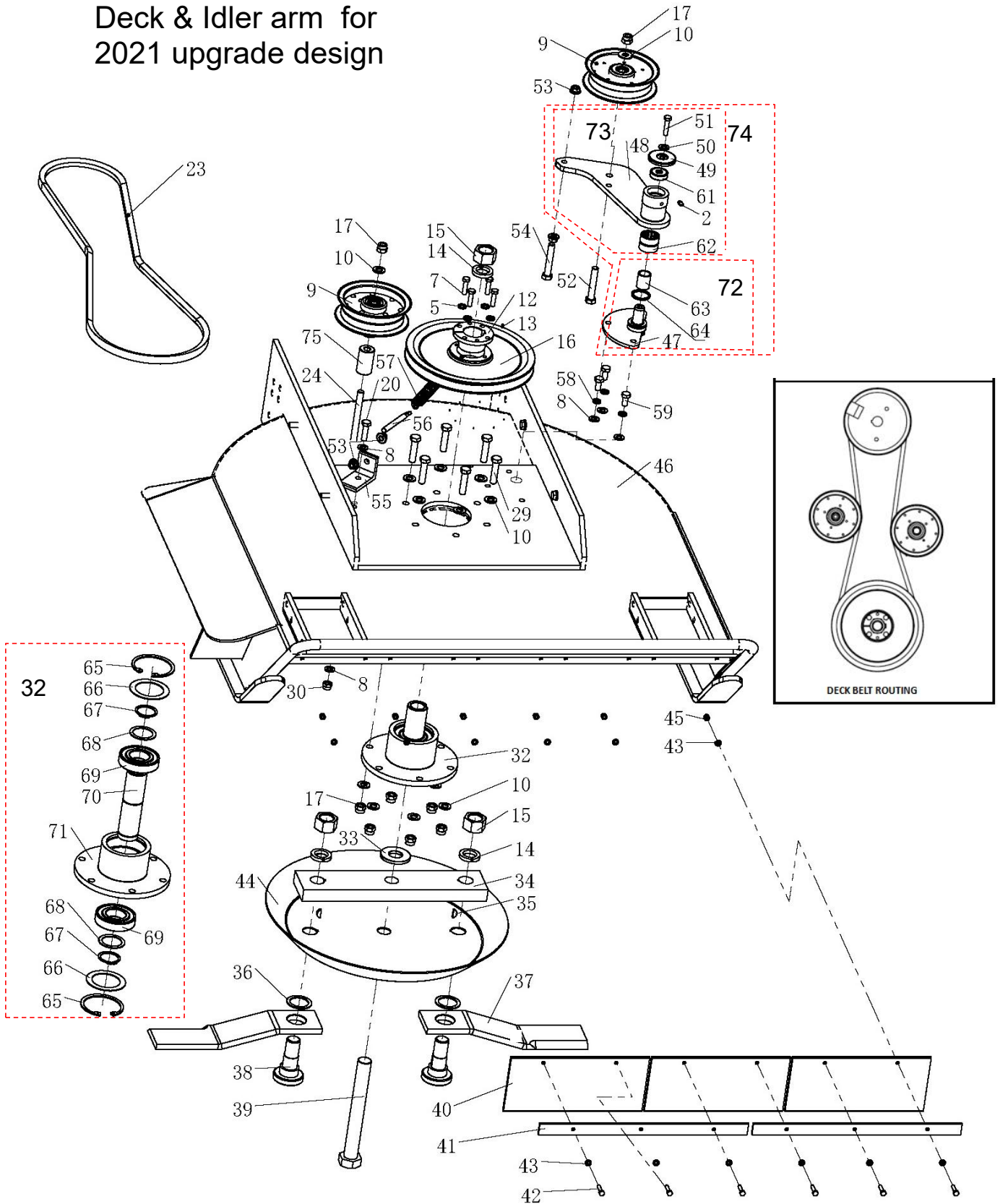
36" Frame Assembly



Item NO.	Part Number	Description	Qty
1	WM2836-074	Contacting wiring harness	1
2	WM2836-002	Hood 36"	1
3	200-010	Plain washer 10 GB95-85	20
4	601-080	Knob nut	4
5	WM2836-003	Hexagon bolt M12x30	8
6	200-007	Nylon Nut M12 GB889-86	12
7	WM2836-068A	Battery box	1
8	WM2836-080	Battery protection rubber pad	4
9	WM2836-077A	Red Battery Cable	1
10	601-119	Battery SP-30R(Please purchase from local Interstate Battery)	1
11	WM2836-078A	Black Battery Cable	1
12	WM2836-004	Rear deck weldment 36"	1
13	200-031	Lock washer 10 GB93-87	12
14	WM2836-069	Rear counterweight plate	1
15	WM2836-070	Seat of hardware for rear plate	1
16	200-119	Hexagon bolt M8-1.25x25 GB 5783	4
17	WM2836-005A	Hydraulic motor guard	1
18	200-021	Plain washer 8 GB95-85	8
19	200-030	Nylon nut M8 GB889-86	2
20	200-103	Hexagon bolt M10-1.5x30 GB5783	8
21	200-071	Plain washer 12 GB95-85	12
22	200-162	Hexagon bolt M12-1.75x45 GB5783	4
23	600-001-08155	Bolt M8-1.25X155 GB5782	2
24	200-024	Lock washer 8 GB 93-87	4
25	200-018	Hexagon bolt M10-1X35	4
26	601-222	Black terminal protector	1
27	601-223	Red terminal protector	1
28	601-021	Solenoid	1

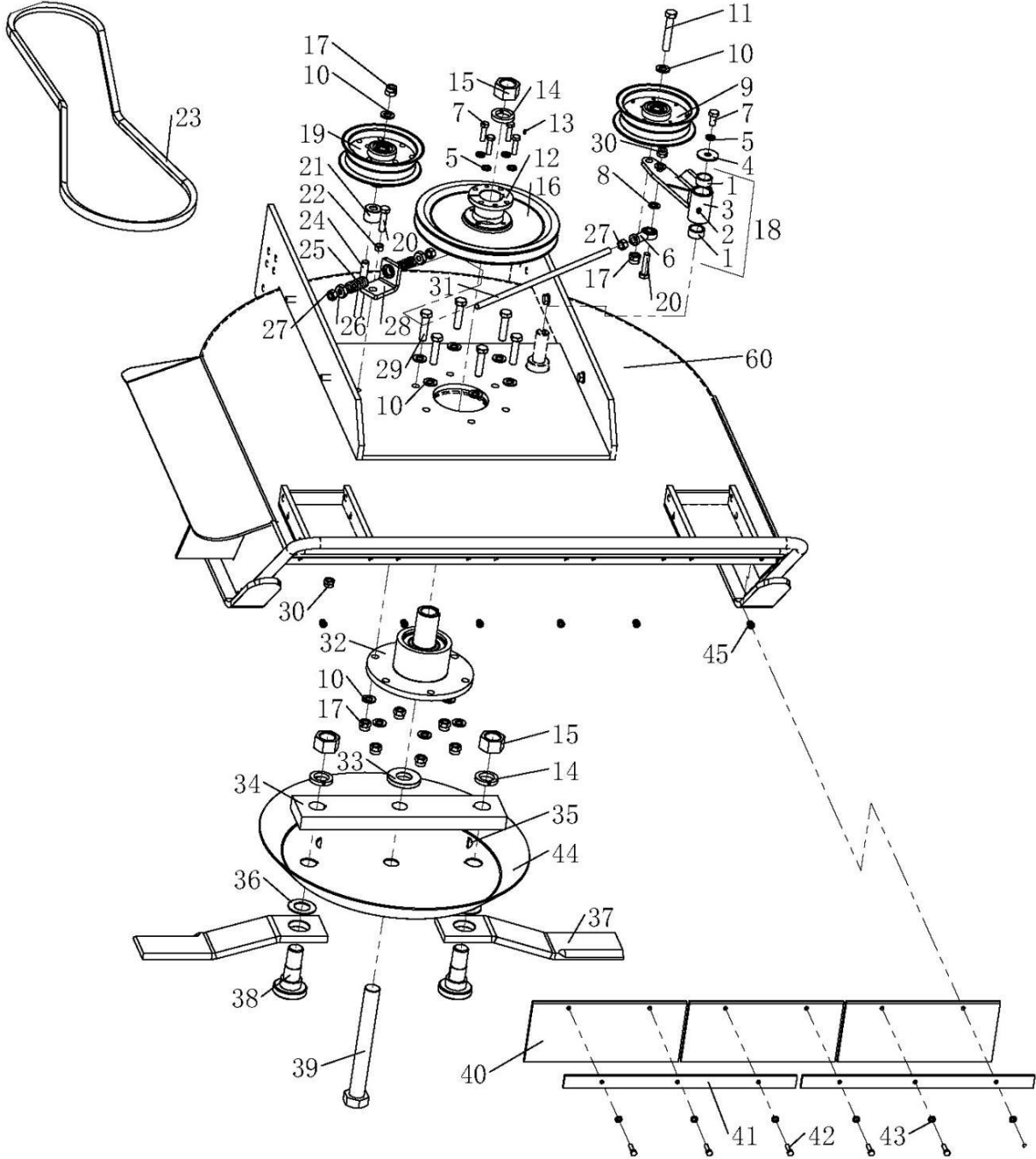
36" Front Deck Assembly

Deck & Idler arm for
2021 upgrade design



36" Front Deck Assembly

Deck & Idler arm
for 2020 or earlier
(Discontinued)



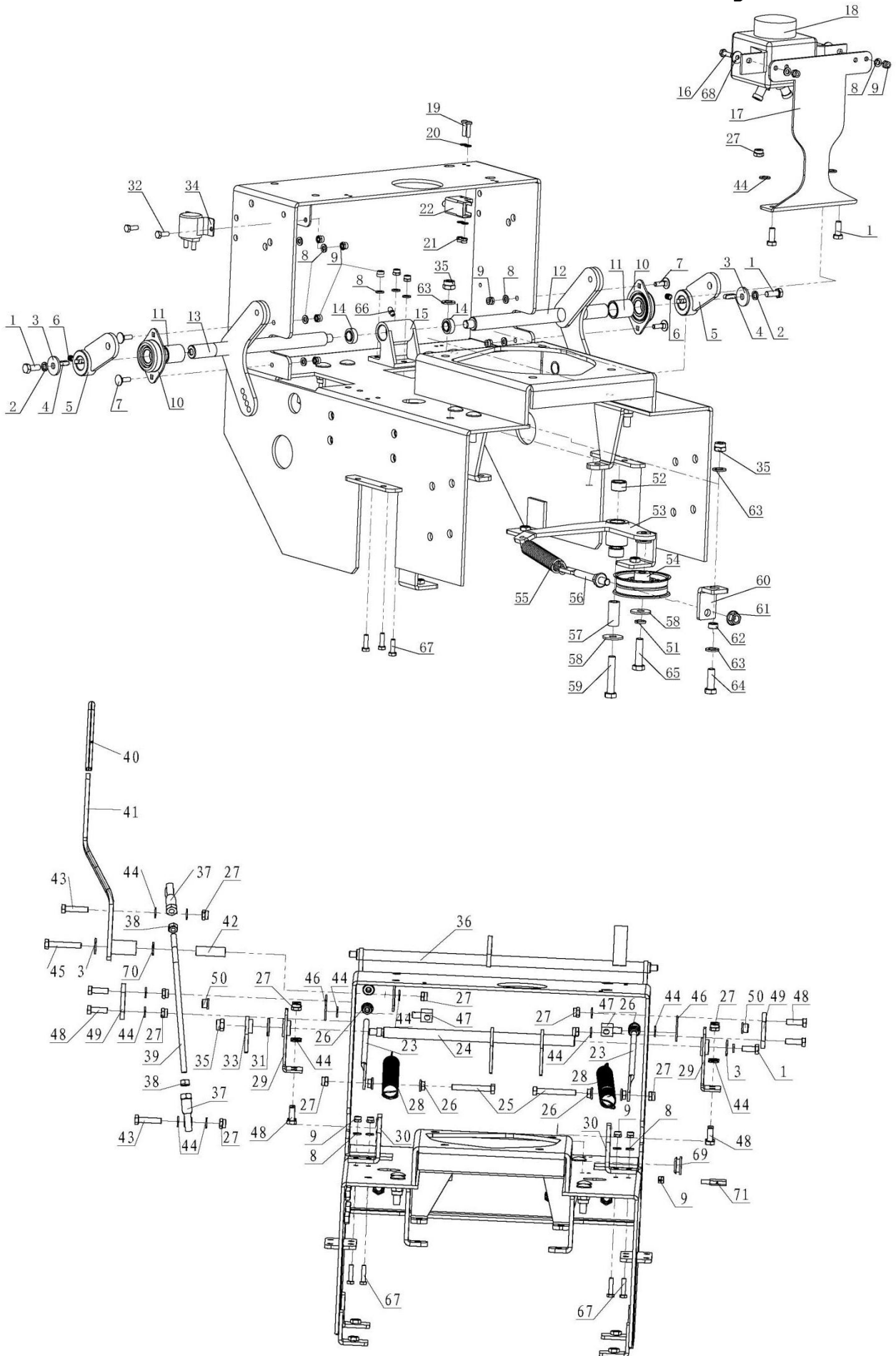
36" Front Deck Assembly

Item NO.	Part Number	Description	Qty
1	WM2836-035	Copper Sleeve	2
2	200-026	Grease Fitting M6 GB1152-89	1
3	WM2836-008	Deck Idler Arm Weldment	1
4	WM2836-036	Washer 2.5x10.5idx30od	1
5	200-024	Lock Washer 8 GB 93-87	4
6	600-903-0010	Rod End RH10	1
7	200-025	Hexagon Bolt M8-1.25x30 GB5783-86	4
8	200-010	Plain washer 10 GB95	4
9	601-048	Idler Pulley	2
10	200-303	Plain Washer 12 GB95	14
11	200-311	Hexagon Bolt M12-1.75x70 GB5782-86	1
12	WM2836-009	H-Bushing	1
13	200-214	Key 12x8x45	1
14	200-213	Lock Washer 27 GB93-87	3
15	200-212	Hexagon Nut M27x2 GB41	3
16	WM2836-010	Pulley	1
17	200-007	Nylon Nut M12 GB889-86	8
18	WM2836-008A	Deck Idler Arm Assembly (1#.2#.3#)	1
19	WM2836-037	Idler Pulley	1
20	600-002-1035	Hexagon Bolt M10-1.5x35 GB5783-86	1
21	WM2836-038	Space 24	1
22	WM2836-039	Link Bushing 9x10.5 idx14 od	1
23	WM2836-019	Cutterdeck Belt B69	1
24	200-309	Hexagon Bolt M12-1.75x125 GB5782-86	1
25	WM2836-040a	Spring I	2
26	WM2836-041	Regulate Nut	2
27	200-201	Nut M10 GB6170	3
28	WM2836-042a	Back Overhang Plate	1
29	200-210	Hexagon Bolt M12-1.75x50GB5783	6
30	200-006	Nylon Nut M10 GB889-86	1
31	WM2836-044b	Rod Belt Tension Hook	1
32	WM2836-012	Cutting Housing Assembly	1
33	WM2836-045	Plain Washer 6x27 id x60 od	1
34	WM2836-013	Inertia Plate	1
35	200-217	Key 5x7.5x19	2
36	WM2836-046	Plain Washer 2x38 id x50 od	2
37	WM2836-014	Blade	2
38	WM2836-015	Fix Blade Bolt	2
39	WM2836-017	Bolt M27-2x220	1
40	WM2836-047a	Grass Board	3
41	WM2836-048a	Grass Board Strip	2
42	200-334	Hexagon Bolt M6-1x25 GB5783	6
43	200-042	Plain Washer 6 GB95-85	12
44	WM2836-016	Fix Blade Plate	1
45	200-009	Nylon Nut M6 GB889-86	6
46	WM2836-001a	Deck Weldment 36"	1
47	601-045	Mounting Plate Weldment	1
48	WM2836-094	Deck Idler Arm Weldment	1
49	604-025	Dustproof cap of bearing	1
50	600-902-0010	Butterfly Washer 10 DIN6796	1

36" Front Deck Assembly

51	600-002-1035	Hexagon Bolt M10-1.5x35 GB5783-86	1
52	200-306	Hexagon bolt M12-1.75x75 GB5782	1
53	600-202-0010	Nut Flange M10 QC864	4
54	600-001-1045	Hexagon Bolt M10-1.5x45GB5782-86	1
55	601-249	Tension spring bracket	1
56	601-100	Rod Thread	1
57	WM2836-095	Diamond bracket tension spring	1
58	600-305-0010	Lock Washer 10 GB93	3
59	600-002-1020	Hexagon Bolt M10-1.5x20 GB5783	3
60	WM2836-001	Deck Weldment 36"	1
61	600-501-6300	Deep groove ball bearing 6300 GB276	1
62	600-504-6904	Needle bearing RNA6904	1
63	604-026	Lining of needle bearing RNA6904	1
64	600-601-3003	O shape ring 30*3 GB/T3452.1	1
65	600-306-0080	Snap ring for hole 80	2
66	WM2836-100	Spindle washer	2
67	600-307-0040	Snap ring for shaft 40	2
68	WM2836-101	Spindle washer	2
69	600-501-6208	Bearings 6208-2RS GB276	2
70	WM2836-102	Spindle shaft	1
71	WM2836-103	Spindle	1
72	601-045a	Pivot post assembly	1
73	WM2836-104	Idler arm	1
74	WM2836-105	Idler arm assembly	1
75	WM2836-109	Space 52	1

36"Transmission Drive Assembly



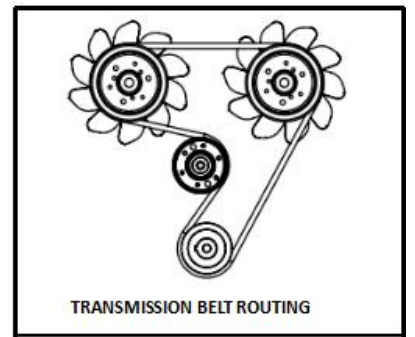
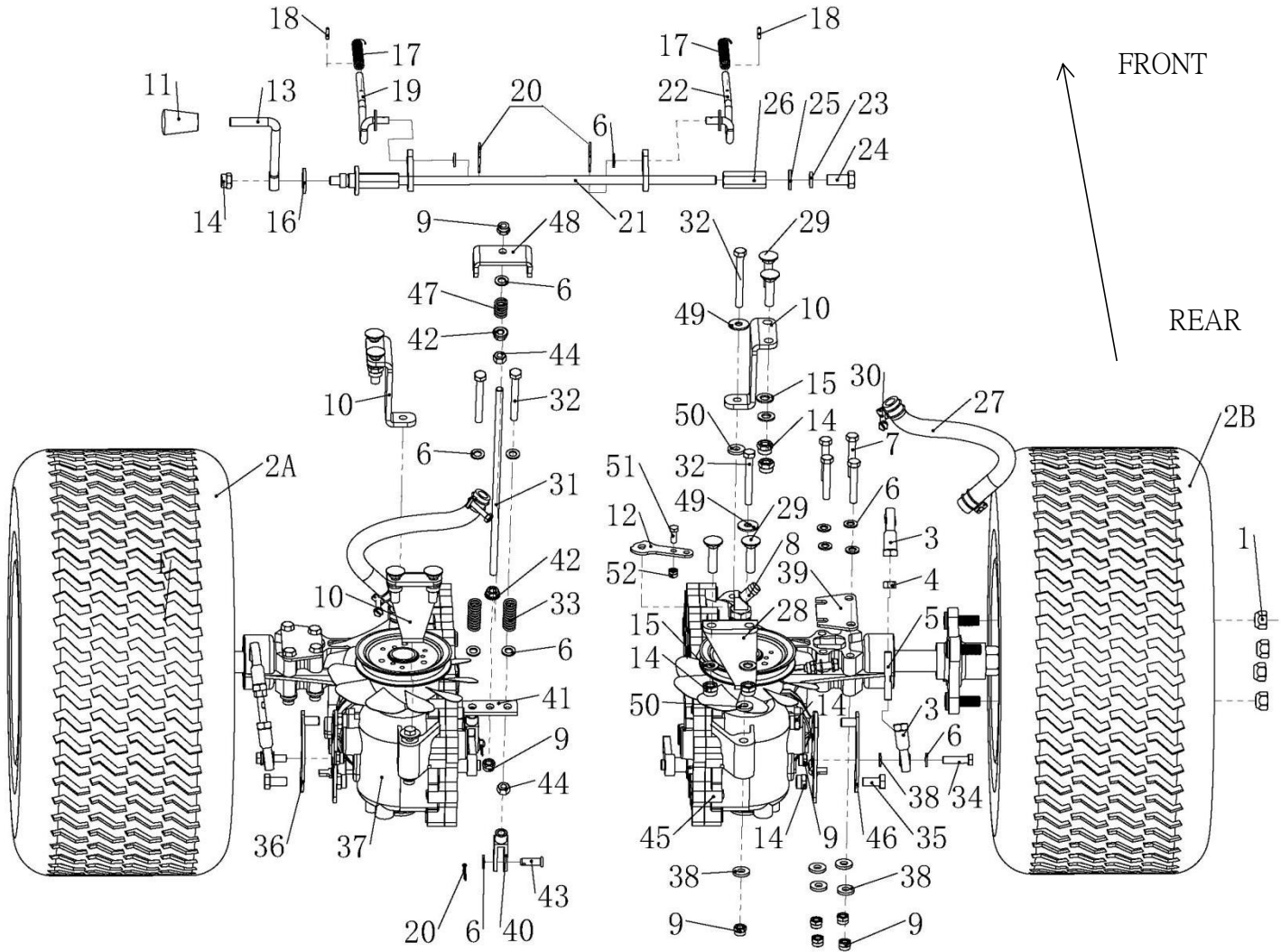
36"Transmission Drive Assembly

Item NO.	Part Number	Description	Qty
1	200-099	Hexagon Bolt M8-1.25x20 GB5783	7
2	200-024	Lock Washer 8 GB93-87	3
3	200-139	Plain Washer 8 GB5287	3
4	200-086	Key 6x6x20	2
5	300-043	Link Arm	2
6	200-116	Bolt Screws M8-1.25x8 GB77	2
7	200-011a	Bolt M6-1x20 GB/T801	4
8	200-042	Plain Washer 6 GB95-85	15
9	200-009	Nylon Nut M6 GB889-86	15
10	300-042	Flange Bearing	2
11	300-092	Tube	2
12	336-132	Control Rod Weldment LH	1
13	336-131	Control Rod Weldment RH	1
14	200-081	Spherical Plain Bearing	2
15	300-040	Link Seat	1
16	200-036	Hexagon Bolt M6-1x20 GB5783-86	2
17	WM2836-026	Hydraulic Oil Oiler Bracket	1
18	WM2836-025	Hydro Reservoir	1
19	200-200	Screws M5-0.8X20 GB818	2
20	200-138	Plain Washer 5GB95	2
21	200-013	Nylon Nut M5 GB889-86	2
22	336-130	Switch	1
23	300-057	Rod	2
24	WM2836-091	Parking Axis	1
25	200-084	Hexagon Bolt M8-1.25x60 GB5783	2
26	600-202-0008	Nut Flange M8 QC864	8
27	200-030	Nylon Nut M8 GB889-86	15
28	300-039	Spring	2
29	336-127	Parking Stand I	2
30	WM2836-050	Spring Fitting	2
31	WM2836-051	Washer 4x16idx30od	1
32	200-120	Hexagon Bolt M6-16x16GB5783	2
33	336-122a	Parking Drawing Board	1
34	601-021	Solenoid	1
35	200-006	Nylon Nut M10 GB889-86	2
36	WM2836-049	Shift Speed Weldment	1
37	600-903-0008	Rod End Rh8	2
38	600-203-0008	Hexagon Nut M8 GB6170	2
39	336-217	Parking Lever	1
40	100-045	Flat Drip	1
41	336-120a	Handle Parking	1
42	336-186	Parking Lever Support Sleeve	1
43	200-049	Hexagon Bolt M8-1.25x35 GB5783-86	2
44	200-021	Plain Washer 8 GB95-85	10

36"Transmission Drive Assembly

45	200-075	Hexagon Bolt M8-1.25x65 GB5782-86	1
46	200-069	Hair Pin Cotter	2
47	300-050	Rectangle Swivel	2
48	200-119	Hexagon Bolt M8-1.25x25 GB5783	8
49	300-044	Plug In Board	2
50	300-045	Nylon Flange Pivot	2
51	200-031	Lock Washer 10 GB93-87	1
52	300-033	Bushing, Straight Pivot	2
53	336-135	Revolved Arm Weldment	1
54	WM2836-052	Idle Pulley	1
55	100-057	Traction Spring	1
56	300-037	Rod Thread	1
57	300-032	Pivot Hub	1
58	200-010	Plain Washer 10 GB96-85	2
59	200-038	Hexagon Bolt M10-1.5x60 GB5782-86	1
60	336-134	Back Overhang Plate	1
61	200-016	Nut Flange M10 GB6187-86	2
62	100-032	Link Bushing 7x10.5 idx14 od	1
63	200-010	Plain Washer 10 GB95-85	1
64	200-103	Hexagon Bolt M10-1.5x30GB5783	1
65	200-207	Hexagon Bolt M10-1.5x40GB5783	1
66	600-901-0006	Grease fitting M6*1 GB1152	1
67	600-002-0625	Hexagon Bolt M6-1x25 GB5783-86	7
68	600-302-0006	Plain Washer 6 GB96-85	2
69	336-232	Rubber wire harness retainer	1
70	336-239	Plain Washer 3x8.5 id x20 od	1
71	336-108	Limit Pin	1

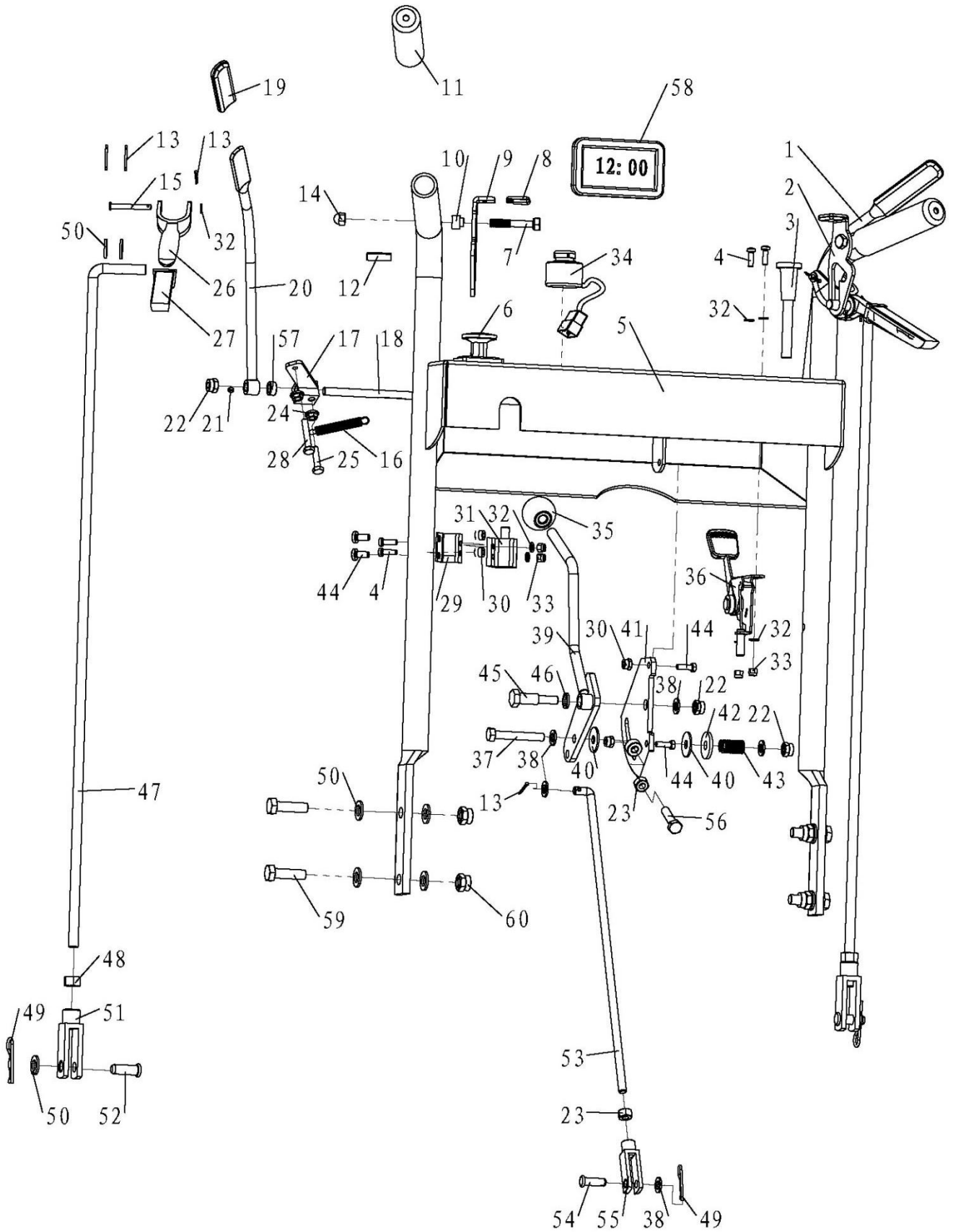
36" Brake and Wheel Assembly



36" Brake and Wheel Assembly

Item NO.	Part Number	Description	Qty
1	200-076	Nut 1/2-20	8
2A	WM2836-027L	Tire and Wheel Assembly	1
2B	WM2836-027R	Tire and Wheel Assembly	1
3	600-903-0008	Rod End RH8	4
4	200-349	Hexagon Nut M8 GB41	2
5	336-115	Speed Control lever	2
6	200-021	Plain Washer 8 GB95-85	24
7	200-188	Hexagon Bolt M8-1.25x75 GB5782-86	8
8	336-220a	The Pipe Joint	2
9	200-030	Nylon Nut M8 GB889-86	16
10	336-109	Hydraulic Motor Support Plate	3
11	300-024	Shifter Knob	1
12	WM2836-108	Transmission neutral plate	1
13	336-107	Neutral Handle	1
14	200-006	Nylon Nut M10 GB889-86	11
15	600-302-0010	Plain Washer 10 GB96	8
16	336-264	Adjusting Washer	1
17	300-012	Neutral Spring	2
18	336-111	Flexible Cylindrical Pin 3x16	2
19	WM2836-032	Right Back To The Oil Lever	1
20	600-403-0220	Cotter Pin 2*20	4
21	336-114	Neutral Lever Weldment	1
22	WM2836-033	Left Back to The Oil Lever	1
23	200-078	Lock Washer 12 GB93-87	1
24	200-329	Hexagon Bolt M12-1.75x20 GB5783	1
25	200-071	Plain Washer 12 GB95-85	1
26	300-009	Tube with Thread	1
27	WM2836-084	Hydraulic tubing	2
28	WM2836-031	Hydraulic Motor Support Plate II	1
29	200-166	Square neck bolt M10x30 GB801	8
30	336-222	Tubing Card	4
31	WM2836-030	Reverse Link	1
32	200-075	Hexagon Bolt M8-1.25x65 GB5782-86	4
33	336-183	Parking Spring I	2
34	200-025	Hexagon Bolt M8-1.25x30 GB5783-86	2
35	200-190	Hexagon Bolt M10-1.5x20GB5783	2
36	336-117b	Welding Parts Left Hydraulic Motor Control board	1
37	WM2836-098	36BB left transmission	1
38	336-239	Plain Washer 3x8.5 id x20 od	14
39	336-223	Adjusting plate	2
40	300-007	Free Bar M8	2
41	336-182	Gear Parking Plate II	1
42	200-029	Nut Flange M8 GB6187-86	2
43	300-003	Clevis Pin	2
44	200-208	Nut M8 GB6170	3
45	WM2836-099	36BB Right transmission	1
46	336-117a	Welding Parts right Hydraulic Motor control board	1
47	336-184	Parking Spring II	1
48	336-181	Gear Parking Plate I	1
49	600-302-0008	Plain Washer 8 GB96	4
50	336-237	Hydraulic motor adjustment pad	4
51	600-002-0616	Hexagon Bolt M6-1x16 GB5783	1
52	600-201-0006	Nylon Nut M6 GB889-86	1

36" Handle Control Assembly



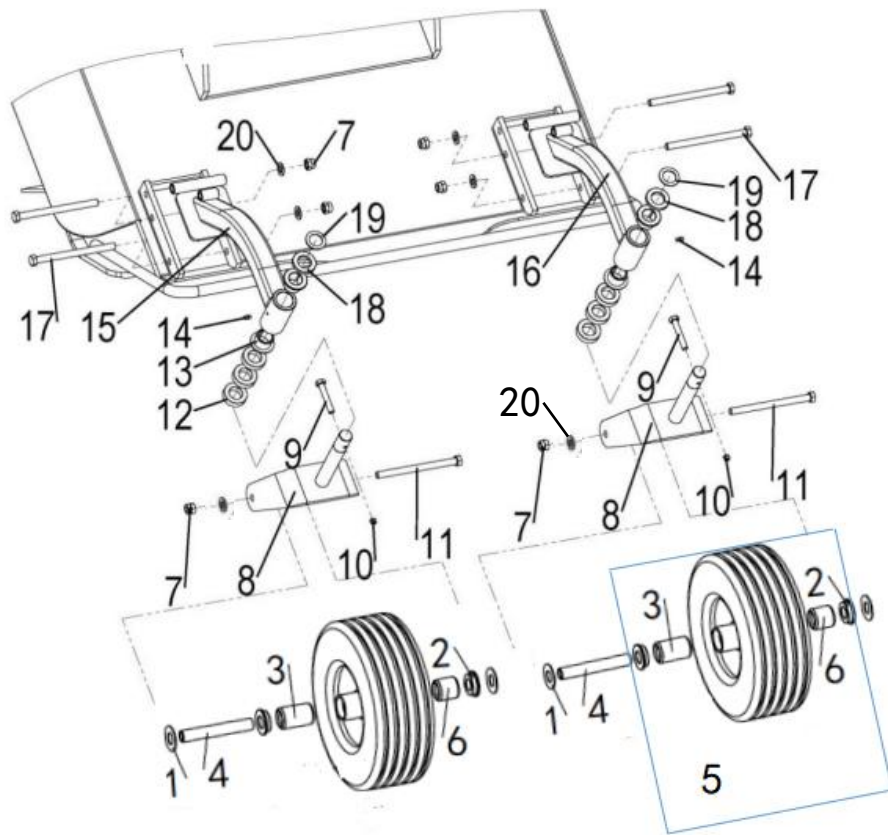
36"Handle Control Assembly

Item NO.	Part Number	Description	Qty
1	336-165	Opc Lever RH	1
2	336-148	Traction lock wish Grip RH	1
3	336-149	Throttle Cable	1
4	600-101-0516	Bolt M5-0.8x16 GB818-85	4
5	336-152	Top Handle Weldment	1
6	700-142A	Blade Switch	1
7	200-327	Hexagon Bolt M6-1x45 GB5782-86	2
8	336-150	Rubber Sleeve	2
9	336-147	Traction Lock Grip LH	1
10	WM2836-054	Lock Cover	2
11	100-072	Handle Grip	2
12	100-076	Roll Pin	2
13	200-014	Cotter Pin 2x20 GB91-86	7
14	200-051	Nut M6 GB923-88	2
15	100-075	Clevis Pin Traction Control Lever	2
16	336-167	Return Spring	1
17	WM2836-055	Micro Switch Welding Pieces	1
18	336-163	Safety Lever Shaft	1
19	300-089	Brake control lever grip	2
20	336-164	Opc Lever LH	1
21	200-333	Screws M5-0.8x6 GB78	2
22	200-030	Nylon Nut M8 GB889-86	4
23	200-349	Hexagon Nut M8 GB41	5
24	200-203	Nut Flange M6 GB6187-86	1
25	200-313	Hexagon Bolt M6-1x25 GB5783-86	1
26	100-073	Traction Control Lever	2
27	WM2836-056	Traction Control Lever Grip	2
28	600-002-0635	Hexagon Bolt M6-1x35 GB5783-8	1
29	WM2836-057	Switch Mounting Plat	1
30	200-009	Nylon Nut M6 GB889-86	4
31	336-130a	Switch	1
32	200-138	Plain Washer 5GB95	8
33	200-013	Nylon Nut M5 GB889-86	4
34	700-137b	Ignition Switch	1
35	300-073	Ball Handle	1
36	336-166	Throttle Control	1
37	200-108	Hexagon bolt M8-1.25x60 GB5782-86	1
38	200-021	Plain Washer 8 GB95-85	4
39	WM2836-058	Speed Rod	1
40	300-072	Nylon Washer	2
41	WM2836-059	Lead Board	1
42	200-139	Plain Washer 8 GB5287	1
43	300-070	Compression Spring	1
44	200-120	Hexagon Bolt M6-1x16 GB5783	4

36"Handle Control Assembly

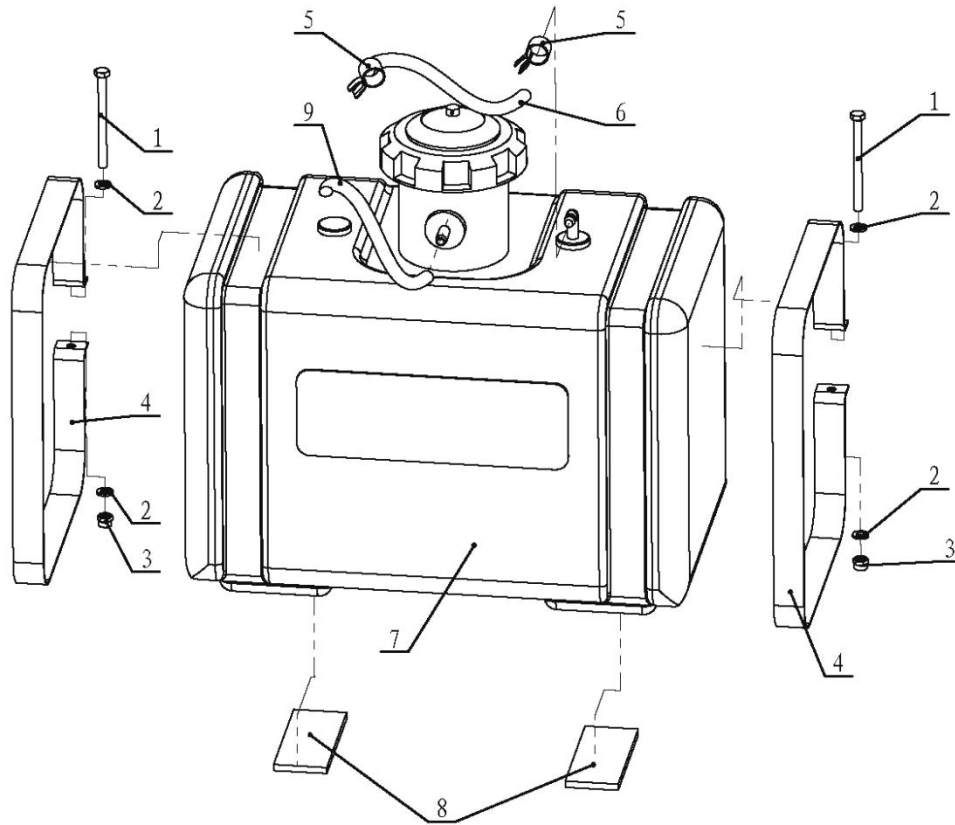
45	WM2836-060	Speed Control Lever Shaft	1
46	WM2836-061	Adjusting Pad	1
47	300-068	Traction Rod	2
48	200-021	Nut Thin M10 GB6170	2
49	200-069	Hair Pin Cotter	3
50	200-010	Plain Washer 10 GB95	14
51	336-161	Free Bar	2
52	336-160	Clevis Pin	2
53	WM2836-092	Blade Rod	1
54	300-003	Clevis Pin	1
55	300-007	Free Bar	1
56	600-002-0835	Bolt M8-1.25x35 GB5783	1
57	WM2836-085	Safety Handle Rotating Shaft Sleeve	2
	200-208	Nut M8	2
58	N110-0100-0071	Hour meter	1
59	600-002-1030	Hexagon Bolt M10-1x30 GB5783-86	4
60	600-201-0010	Nylon Nut M10 GB889-86	4

36" Front Caster Assembly



Item NO.	Part Number	Description	Qty
1	336-139	Adjust the Pad	4
2	700-158	Front Wheel Washer	4
3	336-141	Needle Roller Bearings	2
4	700-157	Pivot Tube Castor	2
5	700-156	Front tire assembly	2
6	336-142	Needle Roller Bearings	2
7	200-007	Nylon Nut M12 GB889-86	6
8	336-140	Castor Yoke	2
9	200-058	Hexagon Bolt M6-1x50GB5782	2
10	200-009	Nylon Nut M6 GB889-86	2
11	200-133	Hexagon Bolt M12-1.75x160 GB5782-86	2
12	100-098	Spacer 13	6
13	100-100	Bushing, Castor	4
14	200-026	Grease fitting M6	2
15	WM2836-023A	Castor Support (right)	1
	WM2836-023C	Right castor Support Assembly (13#.14#.15#)	1
16	WM2836-023	Castor Support (left)	1
	WM2836-023B	Left castor Support Assembly (13#.14#.16#)	1
17	200-336	Hexagon Bolt M12-1.75x145 GB5782-86	4
18	100-099	Spacer 6.5	2
19	336-236	Washer	2
20	200-071	Plain Washer 12 GB95-85	6
optional			
5	700-156FF	Flat free tire assembly	2

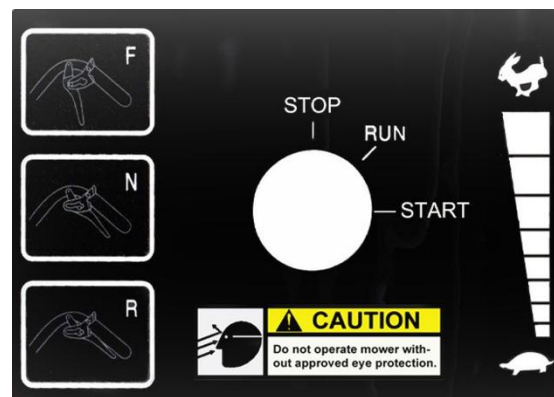
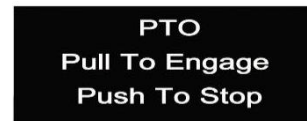
36" Fuel tank Assembly



Item NO.	Part Number	Description	Qty
1	600-001-0670	Bolt M6-1×70 GB5782	2
2	200-301	Washer 6	4
3	200-009	Nut M6	2
4	336-143	Fuel tank strap	2
5	200-059	Gasoline tubing clamp	2
6	100-106	Gasoline pipe	1
7	WM2836-089	Fuel tank	1
8	100-107	Tank pad	2
9	336-234	Air tube	1

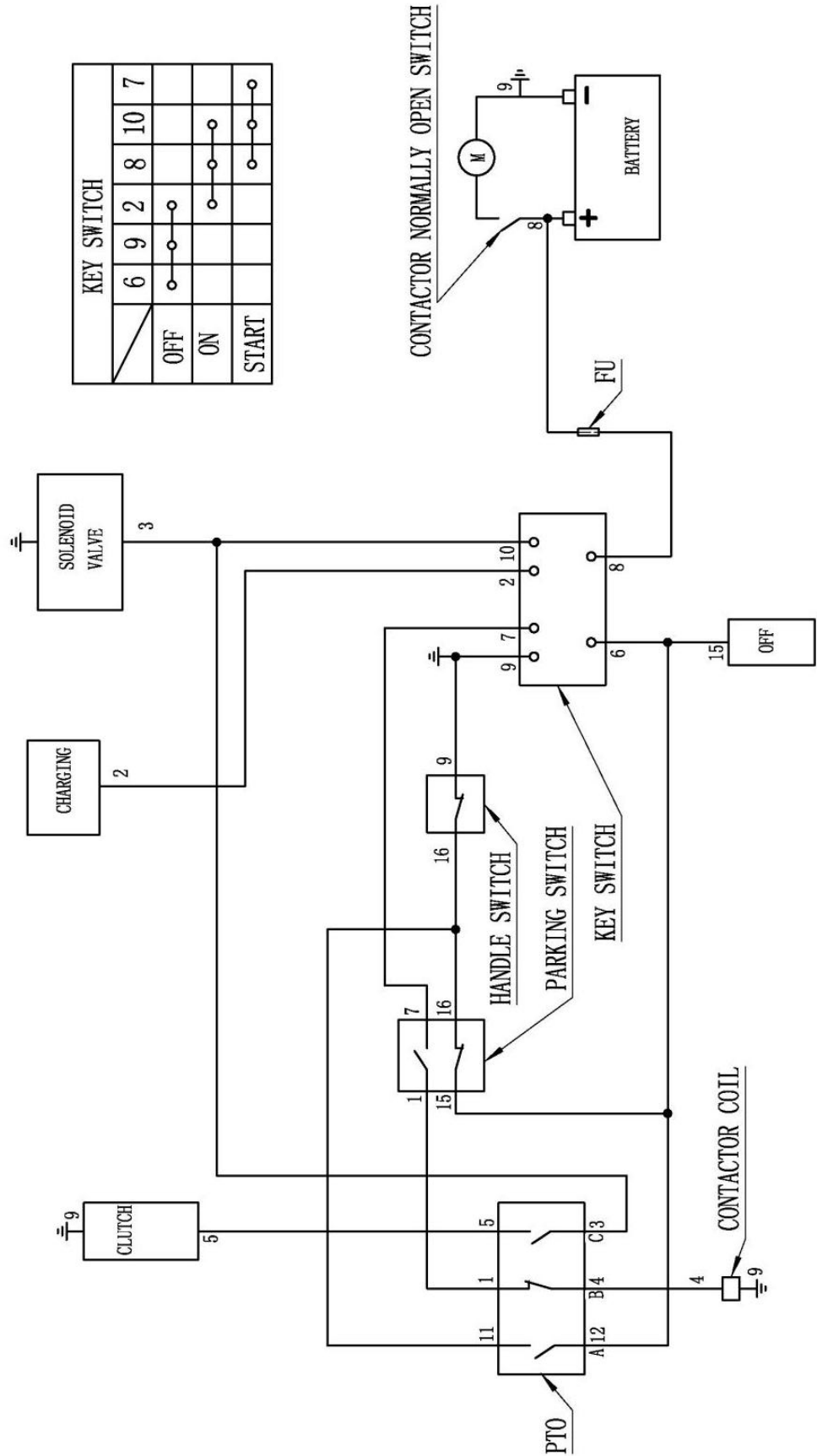
36BB SAFETY AND INFORMATION DECALS

Item NO.	Part Number	Description	Qty
	WM2836-075	36BB decal	1



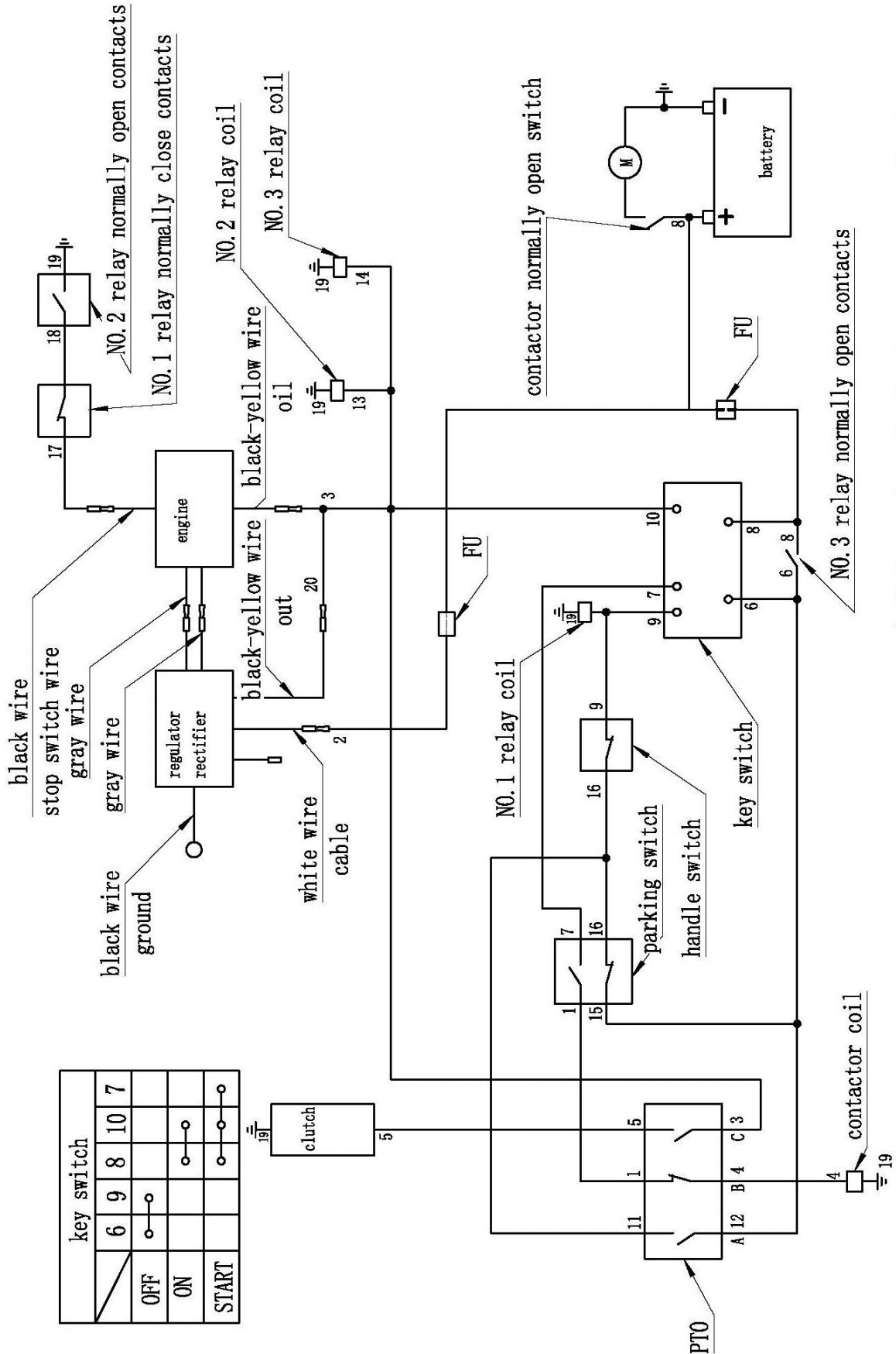
BRIGGS & STRATTON WIRING DIAGRAM

Item NO.	Part Number	Description	Qty
	WM2836-073	Wire Harness	1



HONDA WIRING DIAGRAM

Item NO.	Part Number	Description	Qty
	601-172A	Honda wire harness	1



This page intentionally left blank.



BRADLEY MOWERS PRODUCT REGISTRATION

CUSTOMER INFORMATION

Name: _____

Business Name: _____

Address: _____

City: _____ State: _____ Zip: _____

Phone Number: _____ Fax Number: _____

Email Address: _____

DEALER INFORMATION(place of purchase) *required

Dealer's Name: _____

Dealer's Address: _____

City: _____ State: _____ Zip: _____

Phone Number: _____

(The remaining dealer information will help you get warranty service faster should you need it.)

PRODUCT INFORMATION

Product Name and Model Number: _____

Serial Number : _____

Engine/Motor Brand and Size: _____

Engine Serial Number: _____

Engines hydraulic pumps, and batteries are warranted through their respective manufacturers. Please contact the manufacturer for more details.

Signature _____ Date of Purchase: _____

KEEP YOUR RECEIPT WITH A COPY OF THIS REGISTRATION FORM

Mail your completed form to: Havener Enterprises, Inc.
368 S. Michigan Ave.
Bradley, IL 60915

Email your completed form to: info@bradleymowers.com

Fax your completed form to: 888.785.1348

Complete your registration form online at www.bradleymowers.com

Warranties should be performed by an authorized Bradley Mowers dealer. All other warranty service requires prior approval.

Your product warranty is only valid if this file is completed signed, and returned to Havener Enterprises, Inc. within two weeks of product purchase. See the warranty statement for more details.

Your information may be collected but never shared outside of Havener Enterprises, Inc. and its subsidiaries