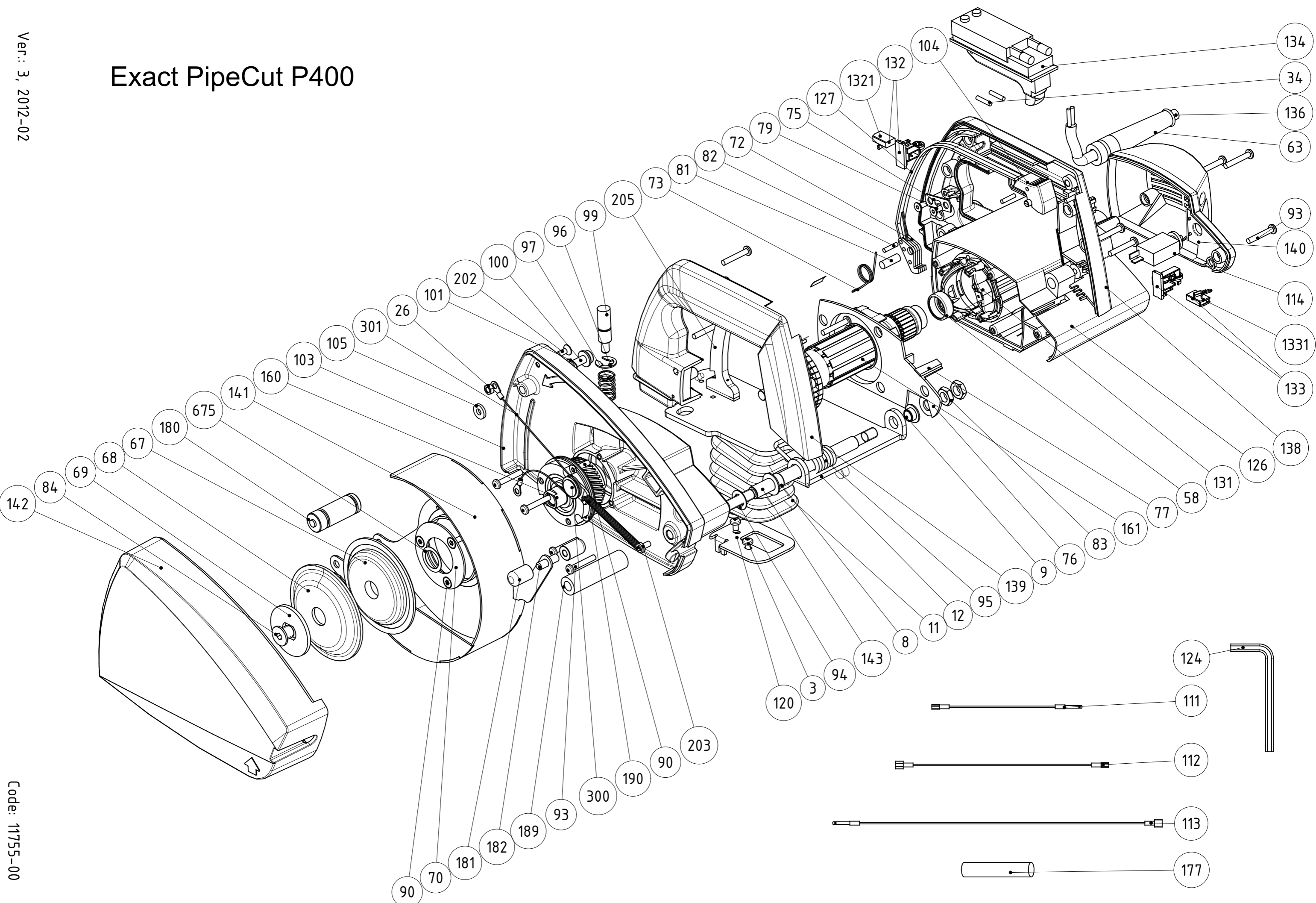
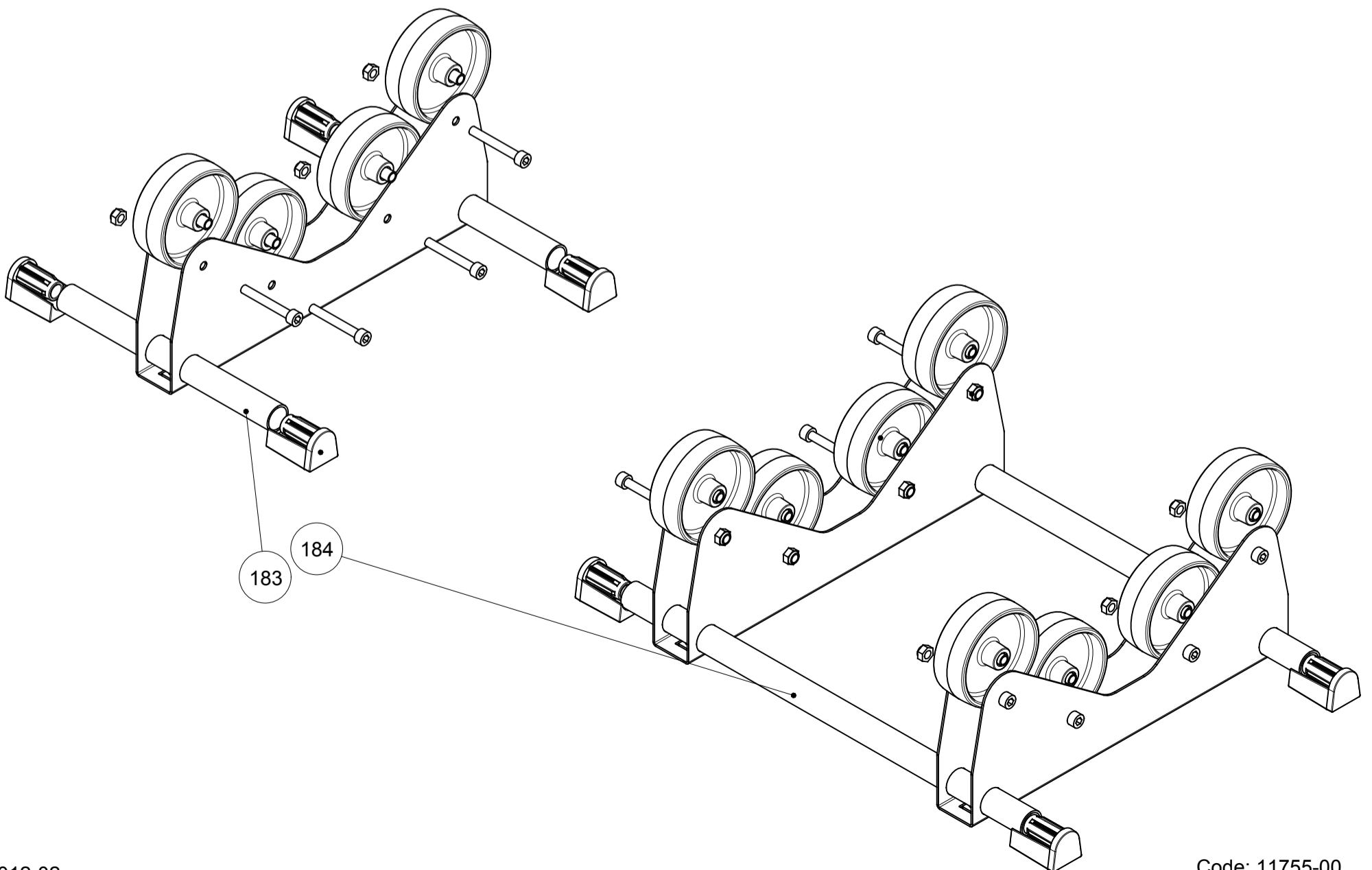
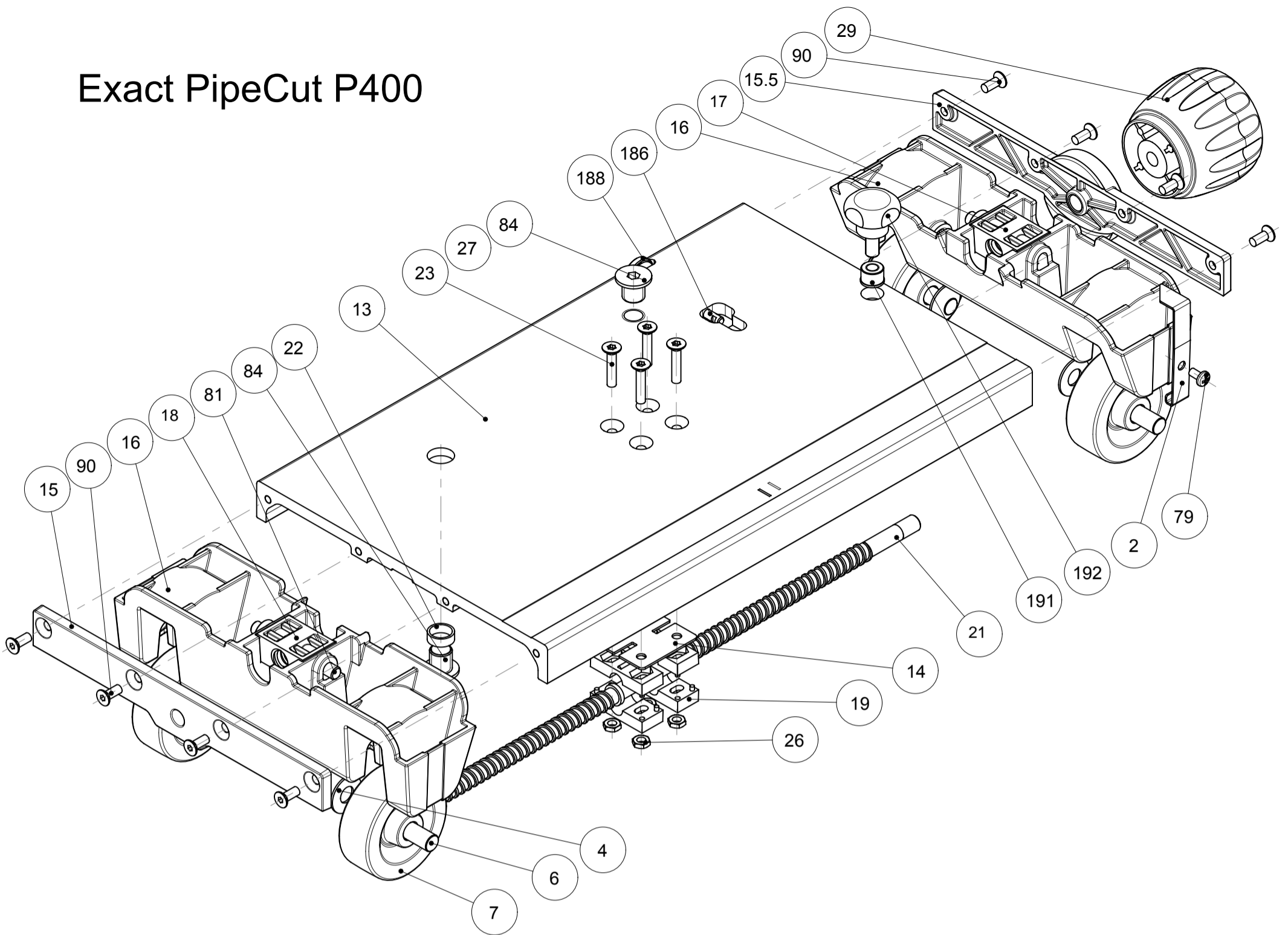


Exact PipeCut P400



Exact PipeCut P400



Exact PipeCut P400

Pos.	Part n:o	Description-ENG	Pcs/unit	Pos.	Part n:o	Description-ENG	Pcs/unit
2	11694-00	Pointer	1	120	11705-00	Mouunting plate	1
3	249424-00	Screw M4x6	2	124	725927	Allen key 5 BLACK	1
4	11175-00	Washer GTM-0818-010	4	126	11526-00	Motor Body - GREY	1
6	11690-00	Pin fi8x48	4	127	11539-00	Draw Bar	1
7	11697-00	Wheel VPA 50/8G	4	130	11609-00	Armature 230V with bearings	1
8	11566-00	Flange bearing GFM-1012-09	1	130	11611-00	Armature 100 - 120V with bearings	1
9	11567-00	Flange bearing GFM-0810-05	1	131	11586-00	Field Coil 230V	1
11	10903-00	Protection bellows PC200/360/400/100	1	131	11586-50	Field Coil 100 - 120V	1
12	11840-00	Body Panel PC400 an PC1000	1	132	11559-50	Brush SA SWU 230V	1
13	11744-00	Frame PC400	1	1321	11624-50	Carbon brush SWU 230V	1
14	11693-00	Distance Plate	1	132	11587-50	Brush SA SWU 100 - 120V	1
15	11695-00	Endpiece Back	1	1321	11625-50	Carbon brush SWU 100 - 120V	1
15.5	11695-50	Endpiece Front	1	133	11559-00	Brush SA 230V	1
16	11696-00	Sledge	2	1331	11624-00	Carbon brush 230V	1
17	11763-00	Trapeze screw with transfer sleeves P	1	133	11587-00	Brush SA 100 - 120V	1
19	11492-00	Trapeze Screw Holder	4	1331	11625-00	Carbon brush 100 - 120V	1
22	11772-00	Distance ring fi12/fi10x4,3	1	134	11797-00	Electric switch Marquard yellow 12/25	1
23	11561-20	Screw M4X20 ISO14581 ZN BLUE	4	136	10949-01	Power Cord EU	1
26	725698	Hex Nut M4 DIN 934 Zn	5	136	11021-01	Power cord UK 3-pin round	1
29	10913-00	Gripper knob PC170	1	136	11023-11	Power cord US 110V with ground	1
30	249128-00	Washer 8x14/0,5 DIN988	1	138	11530-00	Handle left - GREY	1
34	11616-20	Tube silicone transparent 3x1mm	3	139	11534-00	Handle right - GREY	1
56	590987-00	Ball bearing 608 2RSH/C3	2	140	11522-00	End cup - GREY	1
57	141830000	Ball Bearing 626 DD	1	141	11748-00	Blade Guard PC400 - printed	1
58	11555-00	Rubber Bushing	1	142	11752-00	Blade guard top PC400	1
63	10951-10	Protective cable sleeving	1	143	11545-00	Main shaft	1
64	11574-50	Carbon Brush Cable	2	145	11761-10	Carry bag Exact PC400/1000	1
67	11740-00	Blade flange PC400	1	148	11067-00	Warning label	1
68	11542-00	Attachment flange PC170	1	161	11609-00	Armature 230 V with bearings	1
69	10944-01	Pulling flange washer	1	161	11611-00	Armature 100 V with bearings GB,US	1
70	11777-00	Bearing Casing Cover PC400	1	170	11817-00	Carton box PC400 printed	1
71	11558-00	Ball Bearing 6202 2RS C3	1	177	379158-00	Protection pipe	2
72	11571-00	Lock Hook	1	180	11745-00	Roller	1
73	11553-00	Lock Hook Spring	1	181	11746-00	Blade cover handle	2
75	378975	Cable Clamp	1	182	11747-00	Threaded pin M6x20 DIN913	1
76	249223-00	Washer M8 DIN125	1	183	11757-00	Pipe suport PC400 single	2
77	11540-00	Air deflector	1	184	11758-00	Pipe suport PC400 double	1
79	10986-00	PT Screw 40x8 T20	3	185	11760-00	Tube insert	12
81	10983-03	Dowel pin 6x18 DIN 7	5	186	11773-00	Adjustment screw	1
82	10983-04	Dowel pin 3x12 DIN 7	2	188	11774-00	Fingernut M4	1
83	10985-00	Hex nut M8x1 DIN439	2	189	11779-00	Rubbertube	1
84	10987-01	Blade Screw M10x10 BN 1206	3	190	11741-00	Bladeguard PC400 spring	1
90	11561-00	Screw M4x10 ISO14581 BN4851 TX2l	12	191	11848-00	Fi10 insert	1
93	10986-03	PT Screw 4x20 T20	14	192	3603435030	Wingscrew M6x13	1
94	744361	Shim washer 10/16 s0.5 DIN 988	1	202	11721-08	Screw M4x8 ISO14581	3
95	11778-00	Lifting Spring PC400 PC1000	1	203	249415-00	Screw 4x8 C Pz DIN7500	1
96	10273-00	Circlip 8 Fe DIN 6799	1	205	11839-00	Counter peg PC400/1000	1
97	11552-00	Spindle Lock Spring	1	206	10080-07	Screw M5x16 DIN7991 black	2
99	11546-00	Spindle Lock	1	300	11861-00	Pulley on pulley fixation plate	1
100	11681-00	Blade guard finger screw	1	301	11860-00	Steel fishing wire with cable shoes	1
101	11133-00	Washer 6,4/11 DIN 137A	1	675	10884-00	Grinded washer DIN988	1
103	11819-00	Gearbox PC400	1				
104	11538-01	Locking Lever	1				
105	11680-00	Rubber protection	1				
111	11579-25	Cable Blue L155	1				
112	11579-15	Cable Blue L260	1				
113	11579-05	Cable Brown L340	1				
114	11005-10	Fuse 106-P30-4A	1				
114	11025-00	Fuse 106-P30-8A	1				