

## LIMITED 1 YEAR WARRANTY

We make every effort to assure that its products meet high quality and durability standards, and warrants to the original purchaser that this product is free from defects in materials and workmanship for the period of one year from the date of purchase(90 days if used by a professional contractor or if used as rental equipment). This warranty does not apply to damage due directly or indirectly, to misuse, abuse, negligence or accidents, repairs or alterations outside our facilities, normal wear and tear, or to lack of maintenance. We shall in no event be liable for death, injuries to persons or property, or for incidental, contingent, special or consequential damages arising from the use of our product. Some states do not allow the exclusion or limitation of incidental or consequential damages, so the above limitation of exclusion may not apply to you. THIS WARRANTY IS EXPRESSLY IN LIEU OF ALL OTHER WARRANTIES, EXPRESS OR IMPLIED, INCLUDING THE WARRANTIES OF MERCHANTABILITY AND FITNESS.

To take advantage of this warranty, the product or part must be returned to us with transportation charges prepaid. Proof of purchase date and an explanation of the complaint must accompany the merchandise. If our inspection verifies the defect, we will either repair or replace the product at our election or we may elect to refund the purchase price if we cannot readily and quickly provide you with a replacement. We will return repaired products at our expense, but if we determine there is no defect, or that the defect resulted from causes not within the scope of our warranty, then you must bear the cost of returning the product.

The warranty gives you specific legal rights and you may also have other rights which vary from place to place.

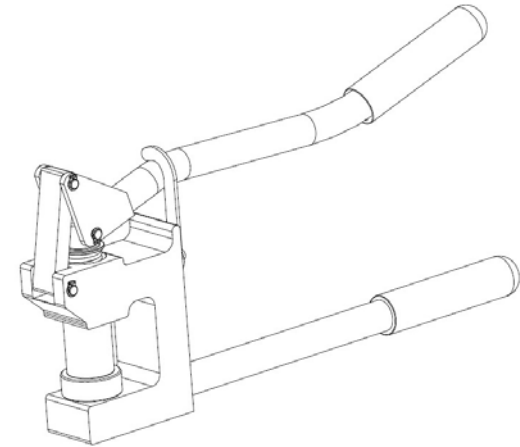
# Instruction Manual

Manual Punch Driver eBOSS

"

1100 DQUU" C wut crlc

Rj <3522"553"363



Due to continuing improvements, actual product may differ slightly from the product described herein.



**Read this material before using this product.**

**Failure to do so can result in serious injury.**

**SAVE THIS MANUAL**

## SAVE THIS MANUAL

Keep this manual for the safety warnings and precautions, assembly, operating, inspection, maintenance and cleaning procedures. Write the month and year of purchase. Keep this manual and the receipt in a safe and dry place for future reference.

## IMPORTANT SAFETY INFORMATION

In this manual, on the labeling, and all other information provided with this product:



This is the safety alert symbol. It is used to alert you to potential personal injury hazards. Obey all safety messages that follow this symbol to avoid possible injury or death.

### **DANGER**

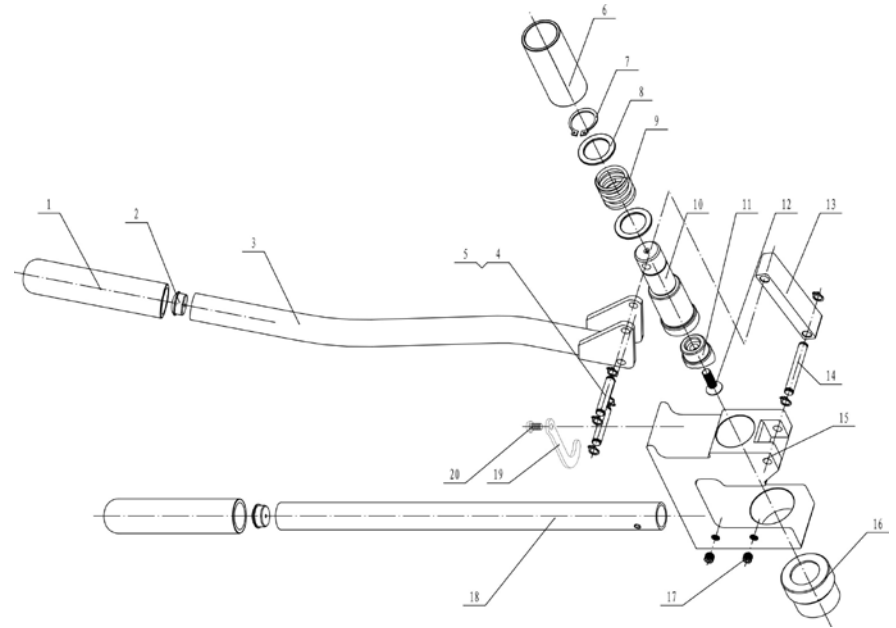
**DANGER** indicates a hazardous situation which, if not avoided, will result in death or serious injury.

### **WARNING**

**WARNING** indicates a hazardous situation which, if not avoided, could result in death or serious injury.

### **CAUTION**

**CAUTION**, used with the safety alert symbol, indicates a hazardous situation which, if not avoided, could result in minor or moderate injury.



## PART LIST

NO.	DESCRIPTION	QTY	NO.	DESCRIPTION	QTY
1	active handle grip	2	11	punch	1
2	plug	2	12	type H screw M8X25	1
3	active handle	1	13	connecting rod	1
4	pin 8x41	2	14	pin of connecting rod	1
5	type A circlip 8	4	15	body	1
6	guide sleeve	1	16	die	1
7	type A circlip 8	6	17	hex screw M8x8	2
8	gasket	2	18	fixed handle	1
9	spring	1	19	hook	1
10	pressure lever	1	20	screw	1

## **MAINTENANCE AND SERVICING**

### **⚠WARNING**

**Damaged equipment may cause serious personal injury. Do not use damaged equipment. If abnormal noise or vibration occurs, have the problem corrected before further using.**

1. **Before each using**, inspect the general condition of the tool. Check for loose screws, misalignment or binding of moving parts, cracked or broken parts, or any other condition that may affect its safe operation.
2. **After using**, clean external surfaces of the tool with a clean, moist cloth; smear the rust preventing oil on the metal surface of the tool and the dies to avoid rust. Store the tool in the dry environment.
3. Service to the tool should only be done by a qualified Service Technician.
4. After a long time using, the sealing kits will be damaged..

### **PLEASE READ THE FOLLOWING CAREFULLY**

THE MANUFACTURER AND/OR DISTRIBUTOR HAS PROVIDED THE PARTS LIST AND ASSEMBLY DIAGRAM IN THIS MANUAL AS A REFERENCE TOOL ONLY. NEITHER THE MANUFACTURER NOR DISTRIBUTOR MAKES ANY REPRESENTATION OR WARRANTY OF ANY KIND TO THE BUYER THAT HE OR SHE IS QUALIFIED TO MAKE ANY REPAIRS TO THE PRODUCT, OR THAT HE OR SHE IS QUALIFIED TO REPLACE ANY PARTS OF THE PRODUCT. IN FACT, THE MANUFACTURER AND/OR DISTRIBUTOR EXPRESSLY STATES THAT ALL REPAIRS AND PARTS REPLACEMENTS SHOULD BE UNDERTAKEN BY CERTIFIED AND LICENSED TECHNICIANS, AND NOT BY THE BUYER. THE BUYER ASSUMES ALL RISK AND LIABILITY ARISING OUT OF HIS OR HER REPAIRS TO THE ORIGINAL PRODUCT OR REPLACEMENT PARTS THERETO, OR ARISING OUT OF HIS OR HER INSTALLATION OF REPLACEMENT PARTS THERETO.



## **GENERAL SAFETY RULE**

TO WORK IN SAFE CONDITIONS WITH THIS TOOLING, IT IS IMPERATIVE TO READ CAREFULLY THE DIRECTIONS FOR USE AND TO FOLLOW THE INSTRUCTIONS IT CONTAINS. IF YOU DO NOT RESPECT THE INFORMATION WRITTEN IN THAT INSTRUCTION MANUAL THE WARRANTY WILL BE VOIDED.

### **1. Work area safety**

- a. Keep work area clean and well lit. Cluttered or dark areas invite accidents.
- b. This tool is not insulated; please do not use it near live conductor..
- c. Keep children and bystander away while operating the Manual punch driver. Distractions will cause you to lose control.
- d. Please do not use or store this tool under high temperature, or one surrounding filling with corrosive fluid. Pay attention to the sealing kits becoming aged.

### **2. Personal safety**

- e. Stay alert, watch what you are doing and use common sense when operating the tool. Do not use the tool while you are tired or under the influence of drugs, alcohol or medication.. A moment of inattention while operating tools may result in serious personal injury.
- f. Use safety equipment. Always wear eye protection. Safety equipment such as dust mask, non-skid shoes, hard hat, or hearing protection used for appropriate conditions will reduce personal injuries.
- g. Dress properly. Do not wear loose clothing or jewelry. Keep your hair , clothing and gloves away from moving parts. Loose clothes jewelry or long hair can be caught in moving parts.

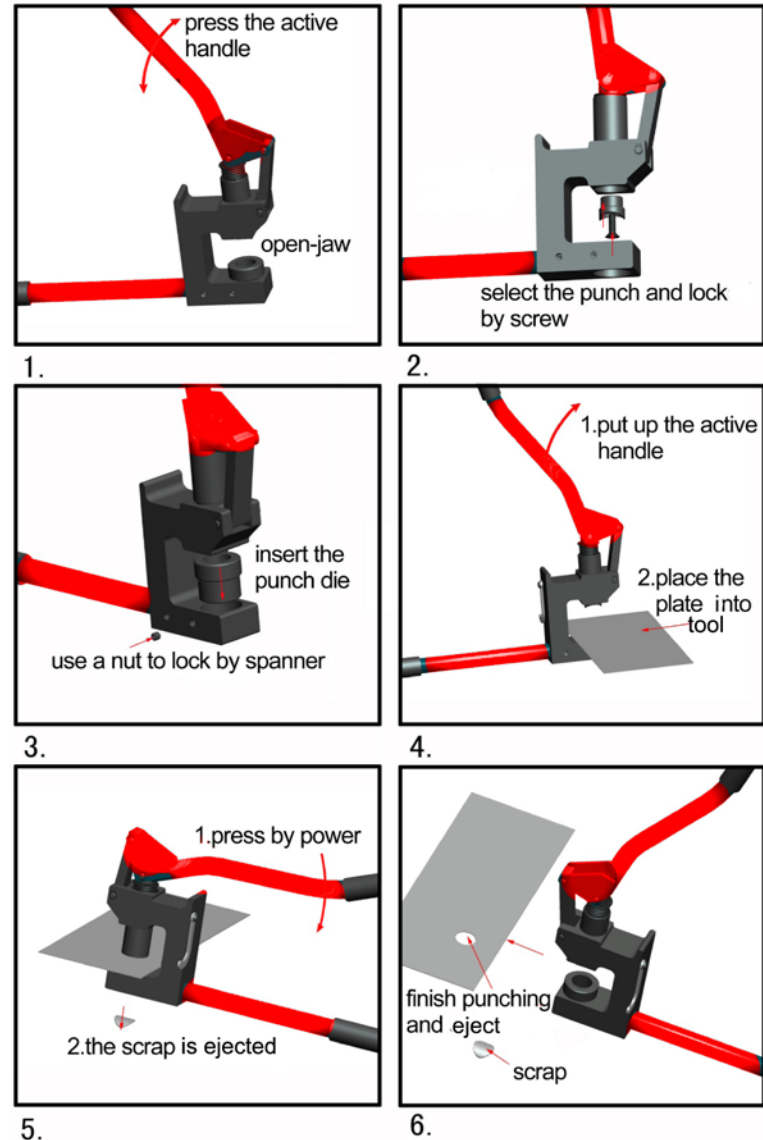


- h. Do not force the tool. Use the correct power tool for your application .The correct power tool will do the job better and safer at the rate for which it was designed.
- i. Store idle power tools out of the reach of children and do not allow persons unfamiliar with the Manual punch driver. This tool is dangerous in the hands of untrained users.
- j. Maintain power tools. Check for misalignment or binding of moving parts, breakage of parts and any other condition that may affect the Manual Punch Driver operation. If damaged, have the Manual Punch Driver repaired before use. Many accidents are caused by poorly maintained power tools.
- k. Use the Manual Punch Driver, accessories and tool bits etc., in accordance with these instructions and in the manner intended for the particular type of tool, taking into account the working conditions and the work to be performed. Use of the Manual Punch Driver for operations different from those intended could result in a hazardous situation..

### 3. Service

Have your Manual Punch Driver serviced by a qualified service technician using only identical replacement parts. This will ensure that the safety of the Manual Punch Driver Kit is maintained.

**PLEASE SEE THE ILLUSTRATION BELOW:**



## OPERATING INSTRUCTIONS.

Read the entire **SAFETY INFORMATION** section at the beginning of this manual including all text under subheadings therein before using this product.

*Use this tool for the manufacture's intended purpose only. Use other than that which is described in this manual can result injury or property damage.*

### HOW TO ASSEMBLE THE PUNCH AND HOLDER:

1. Select the appropriate punch die set. Ask an authorized facility or distributor to choose proper punch and die set for hole punching.

#### **⚠WARNING**

*Do not exceed the rated capacity of this tool, otherwise it will caused a component failure, which could throw broken parts with great force. Failure to observe this warning can result injury or death.*

2. Insert the punch into the upper shoulder; use the nut to lock it by hex spanner.
3. Insert the die into the lower shoulder, use a hex spanner to screw the nut to lock the die.
4. Put up the active handle, place the plate between the punch and die

#### **⚠DANGER**

**An improper setup could cause the components damage.**

5. Press the active handle lever completely punching at a time, the scrap come out
6. after punching, keep the active handle locked by hook..

#### **⚠CAUTION**

**Do not punch on hard metal plate ot punch over the max thickness.**

#### **⚠WARNING**

*Do not allow anyone to stand round of the tool. Ignore this warning can result in injury or damage.*

## SPECIFIC SAFETY RULES

1. Maintain labels and nameplates on the tool which carry important safety information. If unreadable or missing, contact the agent to replace.
2. This product is not a toy, keep it out of reach of children.
3. Do not slide your fingers in the punch & dies profile.
4. Do not put your fingers in the head of the tool when you slide the dies inside it. Your fingers could be pinched very severely.
5. Do not use the tool without punch & die.
6. Do not use this tool near live circuits.
7. The warnings, precautions, and instructions discussed in this instruction manual cannot cover all possible conditions and situations that may occur. It must be understood by the operator that common sense and caution are factors which cannot be built into this product, but must be supplied by the operator.



**SAVE THIS INSTRUCTIONS**

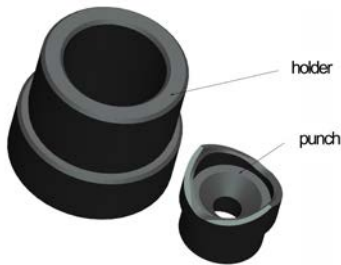
## UNDERSTAND YOUR TOOL

CC-100 are the tools for punching mild metal plate. It carries many advantages of good design, easy operation, high power, high efficiency etc. They are the perfect tool to be used in construction site.

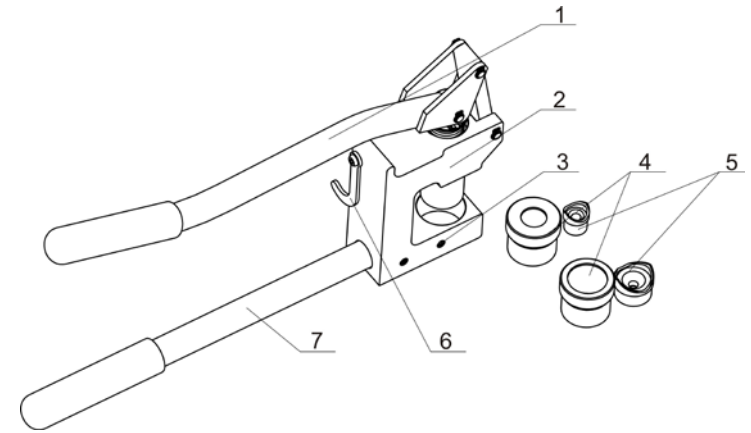
### 1 . Specification

<b>Item</b>	<b>eBOSS Stud punch</b>
Max punching range:	Φ34.1mm below 1.0mm mild steel plate
Stroke:	45mm
Dimension:	470x215x50mm
Weight:	Approx3.60kg
Package:	plastic box
Accessories:	
Round Knockout Punches Type D:	22.2,34.1mm

The size of punch & die is marked on the surface of the down punch. If ask for special size or special shape, please contact the distributor or manufacturer, they can custom made die according to detail requirements.



### 2 . Description of the components.



Code	Name	Function
1	Active handle	Operating the handle to punching
2	Body	Fix the handle and punch & holder set
3	Hex-screw	Fix the holder
4	Die	For punching
5	Punch	For punching
6	Hook	For locking the active handle
7	Fixed handle	Guide to work