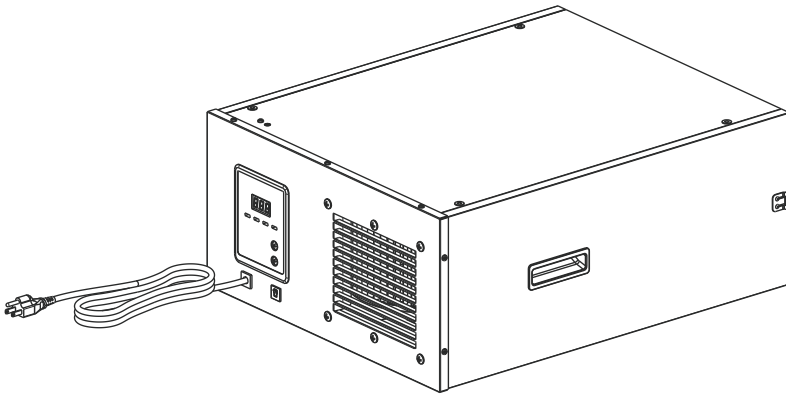




PuriCare1100/1100IG User Manual



PuriCare1100



PuriCare1100IG

READ AND SAVE THESE INSTRUCTIONS
Purisystems Solutions INC.

Add: 8605 SANTA MONICA BLVD#79525 WEST HOLLYWOOD, California, 90069 USA

E-mail: sales@purisystems.com

Tel: 880-990-7469

WARNING!

Please note that the dust collector can only be used with Purisystems approved accessories. Using unauthorized accessories or making changes to the machine may invalidate your warranty. Please contact us for more details.

To Avoid Accidents:

- The power cord of the machine must be plugged into a grounded socket.
- The power supply of the machine must not be higher than the specified power supply.
- The machine should not be installed outdoors or in places that may be eroded by Rain Water to avoid damaging the electrical components and Fire.
- Do not run the machine without a filter installed.
- If hooks are installed on the ceiling, the load bearing capacity of the ceiling must be greater than 110 lbs.
- Installation requires two people.

INTRODUCTION

PuriCare1100/1100IG is small in size and lightweight.

The machine is equipped with two lightweight filtering devices to avoid the unnecessary increase in weight and volume increase. It effectively enhanced the air purification capability that allows to the filtration of small particles such as dust, sawdust, and many more.

IDENTIFICATION

Congratulations on purchasing a PuriSystem dust collector. For your convenience in submitting a warranty claim in the future, be sure to note the serial and the date of purchase below.

Serial Number: _____

Date of Purchase: _____

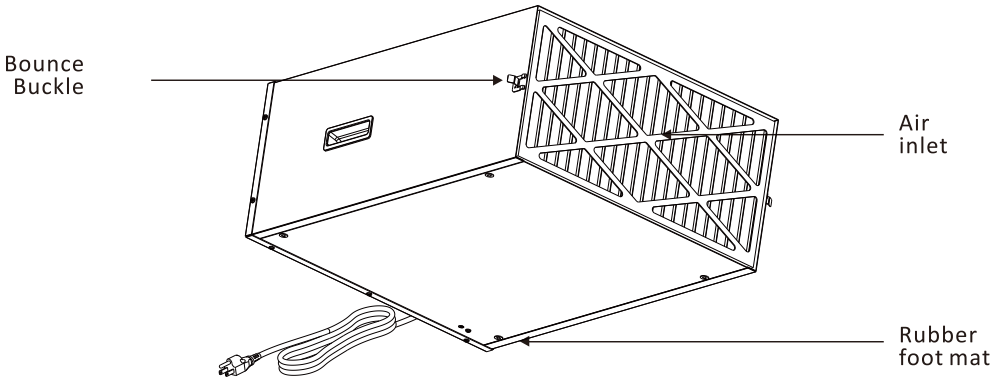
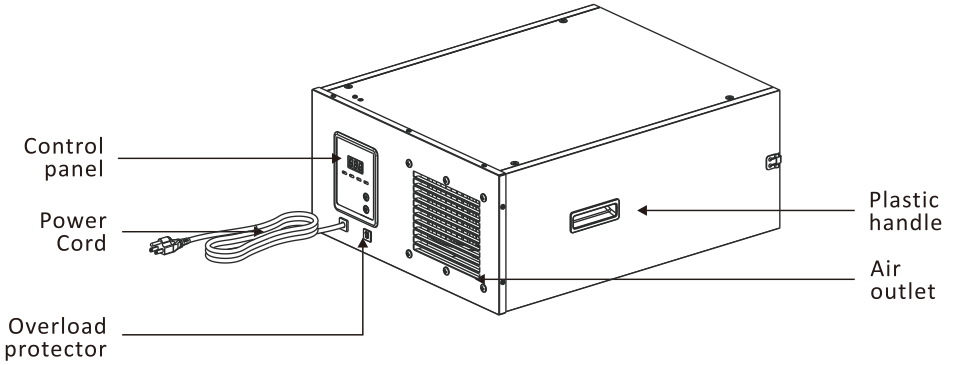
HOW IT WORKS

1. Connect the dust collector to a standard 115V/60Hz outlet.
2. Refrain from moving the unit during operation.
3. Keep both air inlet and outlet away from the wall or any obstructions for at least 2 ft.
4. This product can only filter dust particles above 1 μ m.

SPECIFICATION

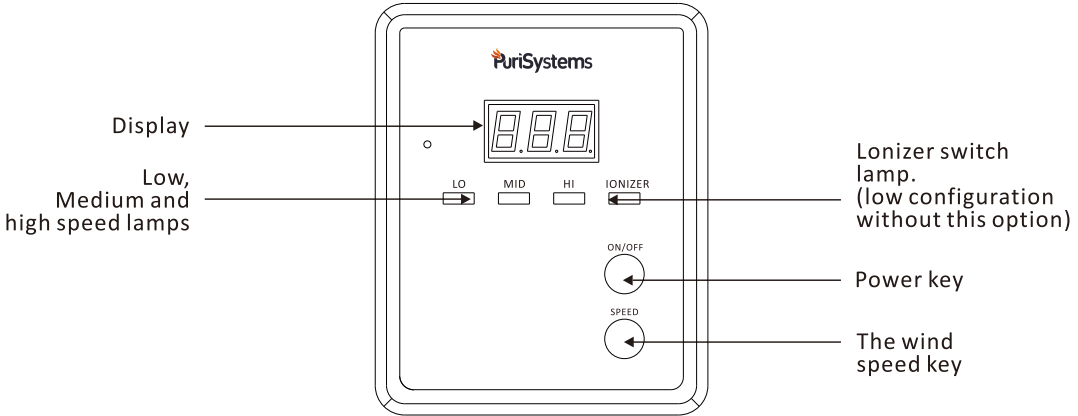
PuriCare1100		PuriCare1100IG	
Power	110-120V, 60Hz, 2.18A	Power	110-120V, 60Hz, 2.18A
Control mode	Manual / remote control	Control mode	Manual / remote control
Wind speed	LO/MID/HI Low/Middle/High	Wind speed	LO/MID/HI Low/Middle/High
Timing	1H~12H	Timing	1H~12H
Noise	(HI) ≤66dB	Noise	(HI) ≤66dB
Net weight	33 lbs	Net weight	33 lbs
Size	24.6 x 20.1 x 10.6 in 33 lbs	Size	24.6 x 20.1 x 10.6 in 33 lbs
Ion Fuction	No	Ion Fuction	Yes

KEY FEATURES

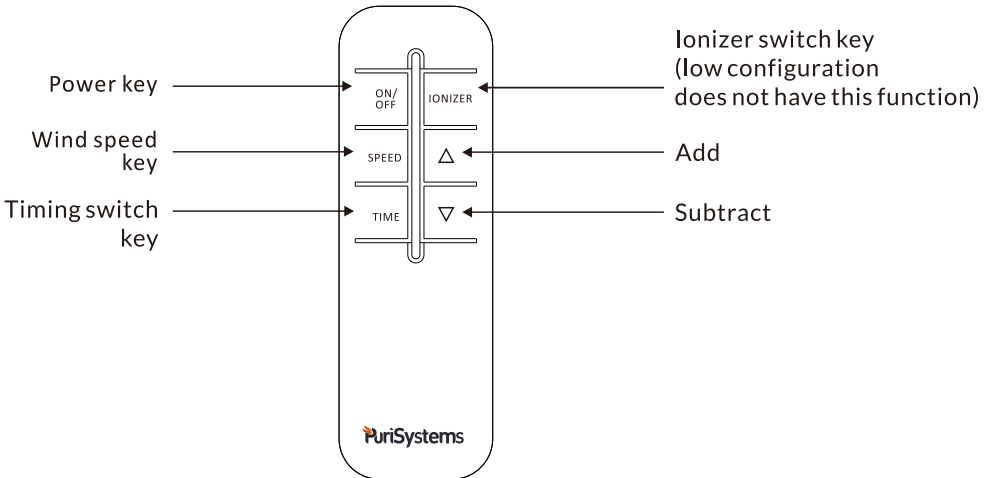


INSTRUCTIONS

CONTROL PANEL



REMOTE CONTROL



1. Power key:

Turn on and off air filtration equipment

Click the control panel "ON/OFF" / remote control "ON/OFF". The machine will make a "drip" sound.

2. Wind speed key:

Control the wind speed of Low, Middle and High. Each time it is operated, the light of the control panel will switch to one of the wind speed gears, and the light represents the wind speed of the current gear.

3. Timing switch key:

Enable or disable the timing function.

4. Ionizer switch key:

Description: this button is only used on the remote control, which is a general accessory. The low-end version does not have this feature, so you need to pay attention to the version model when you buy it.

Operate the "IONIZER" button of the remote control, the ionizer switch light on the control panel is on, the ion function starts, and operate again, the ionizer switch light is off and the ion is off.

5. Add and Subtract

Adjust the run time by adding 1 hour for each add key press and subtract 1 hour for each subtract key press. (Maximum timing is 12 hours, minimum timing is 1 hour.)

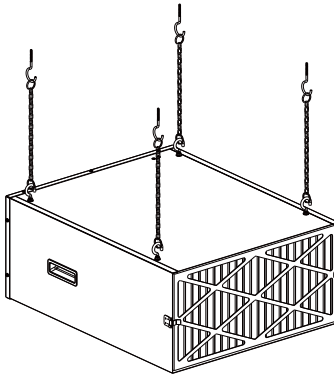
WHAT'S IN THE BOX

- PureCare 1100/1100IG
- User Manual × 1
- 1-Micron Inner Filter × 1
- 5-Micron Outer Filter × 1
- Screw × 4
- Chains × 4
- Expansion Bolt × 4
- Hanging Piece × 4
- Screw Hooks × 8
- Nut × 4
- Remote Controller × 1
- AAA Battery × 2

HOW TO INSTALL DUST COLLECTOR

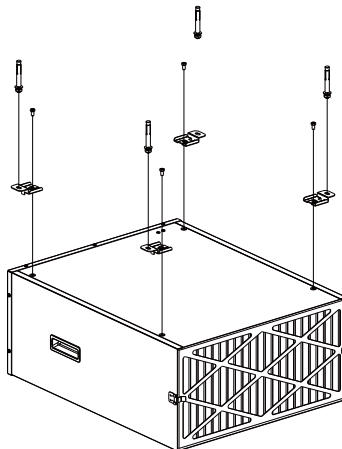
Installation mode 1

1. Fix the hook as shown in the picture to 4 holes at the top of the machine with M4 nut. M4 nut needs to be tightened to prevent the hook from rotating and falling off.
2. Fasten the horn hook to the ceiling.
3. Two people are required for this installation. One(1) person to pick the dust collector and the other to connect the end of the chain to the machine hook.
4. Due to the impact of the machine itself and the environment, there will be installation imbalance, the number of sections of the chain hook can be used to adjust the machine balance.



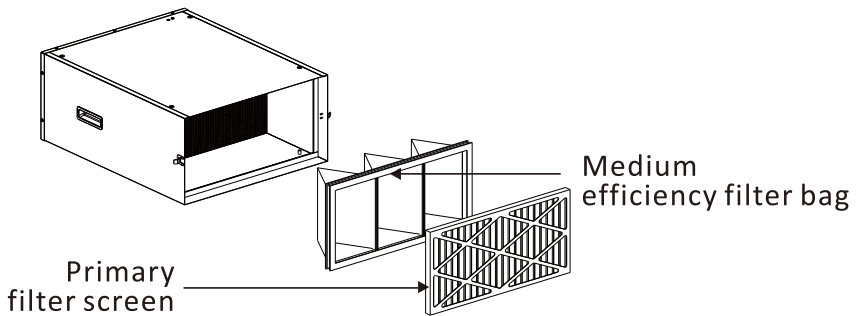
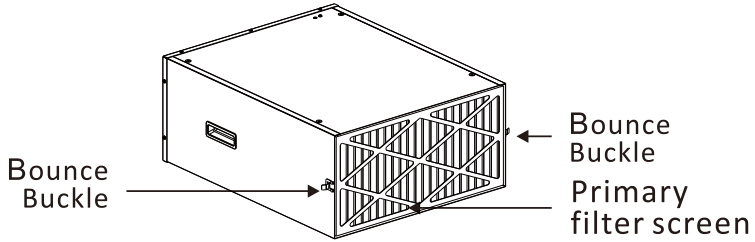
Installation mode 2

1. Remove the four M4 screws from the top of the machine, install the pendant as shown in the picture, and fix the M4 screws just now.
2. One man picked up the dust collector and the other screwed the machine to the wall.



HOW TO REPLACE THE FILTER

- (1) Turn off the machine before replacement.
- (2) Loosen the buckles on the side of the machine.
- (3) Remove the filter.
- (4) Install a new filter.
- (5) Pay attention to the sequence of filters.



MAINTENANCE AND CLEANING

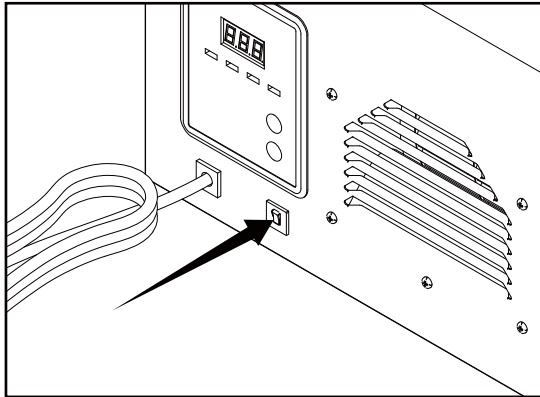
Under poor air quality, there will be a lot of dust in front of the control panel, which needs to be cleaned up.

INSPECTION AND TROUBLESHOOTING

- 1.If the machine is short-circuited and there is a power outage at home, the overload protector will cut off the circuit to protect the machine.

POWER-OFF PROTECTION TREATMENT

- 1.Unplug the machine.
- 2.Press the overload protector button back to its original position by hand.
- 3.Plug in the power supply and start up.



LIMITED WARRANTY

The limited warranty is applicable to the original purchaser only, since the date of purchase. It should be subject to the terms and conditions listed in this limited warranty file.

WARRANTY PERIOD

Warranty becomes effective from the date of original purchase and will last for one year.

This limited warranty is not transferable. It is only valid for the original purchaser.

Warranty debarment:

1. Damage caused by the owner when attempting to fix or alter the product by himself or herself.
2. Damage caused by misuse, abuse, neglect, alterations or unauthorized repair.
3. Natural depreciation.

• How to request warranty services?

To obtain the benefit of this warranty, please leave your message online (www.purisystems.com), or send an email to sales@purisystems.com.

Our customer service will address your issue between Mon-Fri 7:00 AM to 4:00 PM PST.

IMPORTANT NOTICE: Keep the item's packaging in case warranty service is required.

Purisystems Warranty Steps:

1. Upon receiving this item, visit www.purisystem.com and fill out the warranty registration form. The order number is required to submit a warranty claim.
2. To request warranty service, contact sales@purisystems.com or 888-990-7469.
3. After receiving the warranty service request, our customer support team will investigate the issue. Here, it will be determined if a Return authorization is necessary.
4. If the damage to the machine is proven to be one of the warranty exclusions (Page 10), PuriSystems will not be responsible for all the associated repair and shipping costs. The eligibility of a replacement unit will also be voided.
5. If the damaged unit that can no longer be fixed is within the warranty period, Purisystems will handle all the cost to send a brand-new replacement unit.
6. When the unit is repaired or replaced, the original warranty period carries over to the repaired or new unit. No warranty extensions will be offered.

Warranty Exclusions:

DAMAGE DUE TO THE FOLLOWING IS NOT covered under warranty

1. Acts of Nature- including but not limited to:

Flooding

Fire

Water damage

Hurricane/storm damage

2. IMPROPER USAGE- Including but not limited to:

Misuse, abuse, or tampering whether intentional or accidental

Improper installation

Improper voltage

Improper maintenance

Failure to follow instructions

3. Corrosion

4. Freezing

5. Any additional costs due to changes in laws or building codes

6. Freight charges

7. Any costs due to lost profit or delay

8. Damage to property

9. Cause beyond control

10. Consumable parts, including but not limited to:

Filters

Batteries

Power cords

Valves

Switches

Rubber parts

11. Direct, indirect, collateral or inconsequential damages of any kind

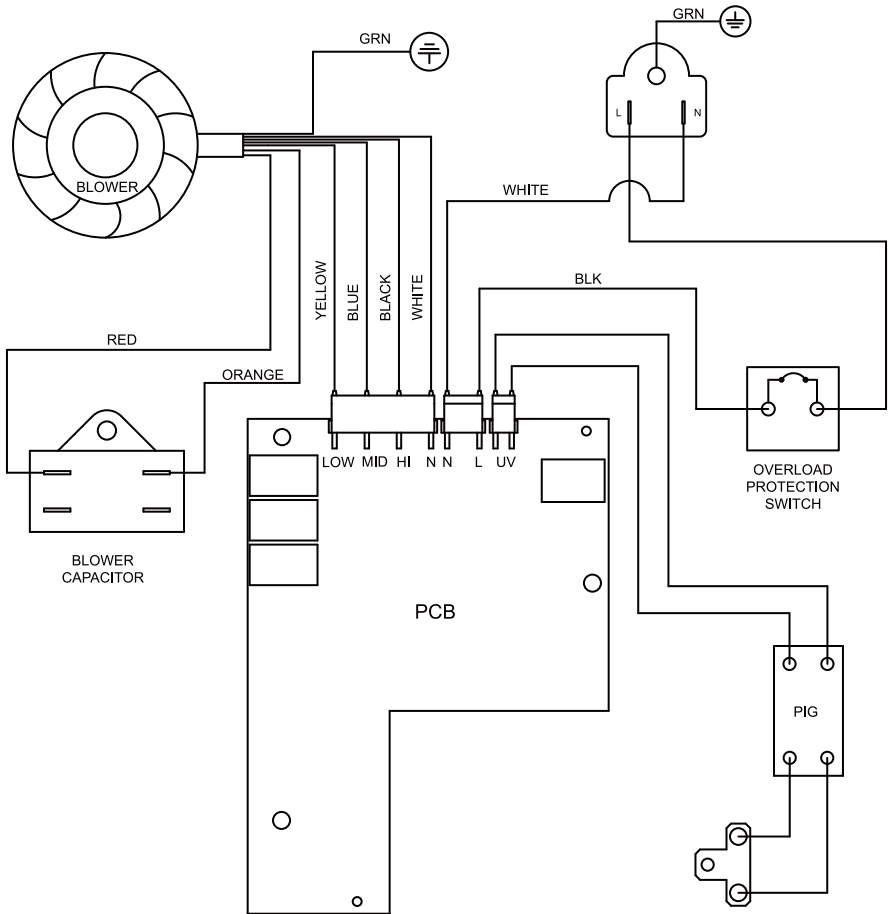
THE WARRANTIES AND LIABILITIES SET FORTH ARE IN LIEU OF ALL OTHER WARRANTIES EXPRESSED OR IMPLIED, IN LAW OR IN FACT, INCLUDING IMPLIED WARRANTIES OF MERCHANTABILITY AND FITNESS FOR A PARTICULAR PURPOSE.

Purisystems total liability, regardless of nature of claim shall not exceed original purchase price of the product. If a product or component is replaced while under warranty, the applicable warranty period shall not be extended beyond the original warranty time period.

The foregoing shall constitute the total liability of seller in the case of defective performance of all or any of the equipment or services provided to Buyer. Buyer agrees to accept and hereby accepts the foregoing as the sole and exclusive remedy for any breach or alleged breach of warranty by Seller.

Any dishonesty or fraud in connection with Purisystems warranty thoroughly voids all warranty policies. Purisystems expressly reserves the right to pursue legal action in the event of dishonesty, fraud, or attempted fraud.

Wiring Diagram



PuriSystems WARRANTY REGISTRATION CARD

Name:

Address:

City:

State:

Zip:

Phone #:

Email:

Order Number:

Model:

Installer:

Registration Date #:

Serial #:

Return to: PuriSystems Solutions

▶ If you have any questions, please feel free to contact us at sales@purisystems.com or visit www.purisystems.com

▶ Scan QR Code for Warranty Registration:



