
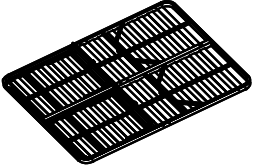

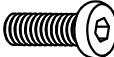
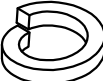
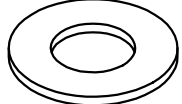

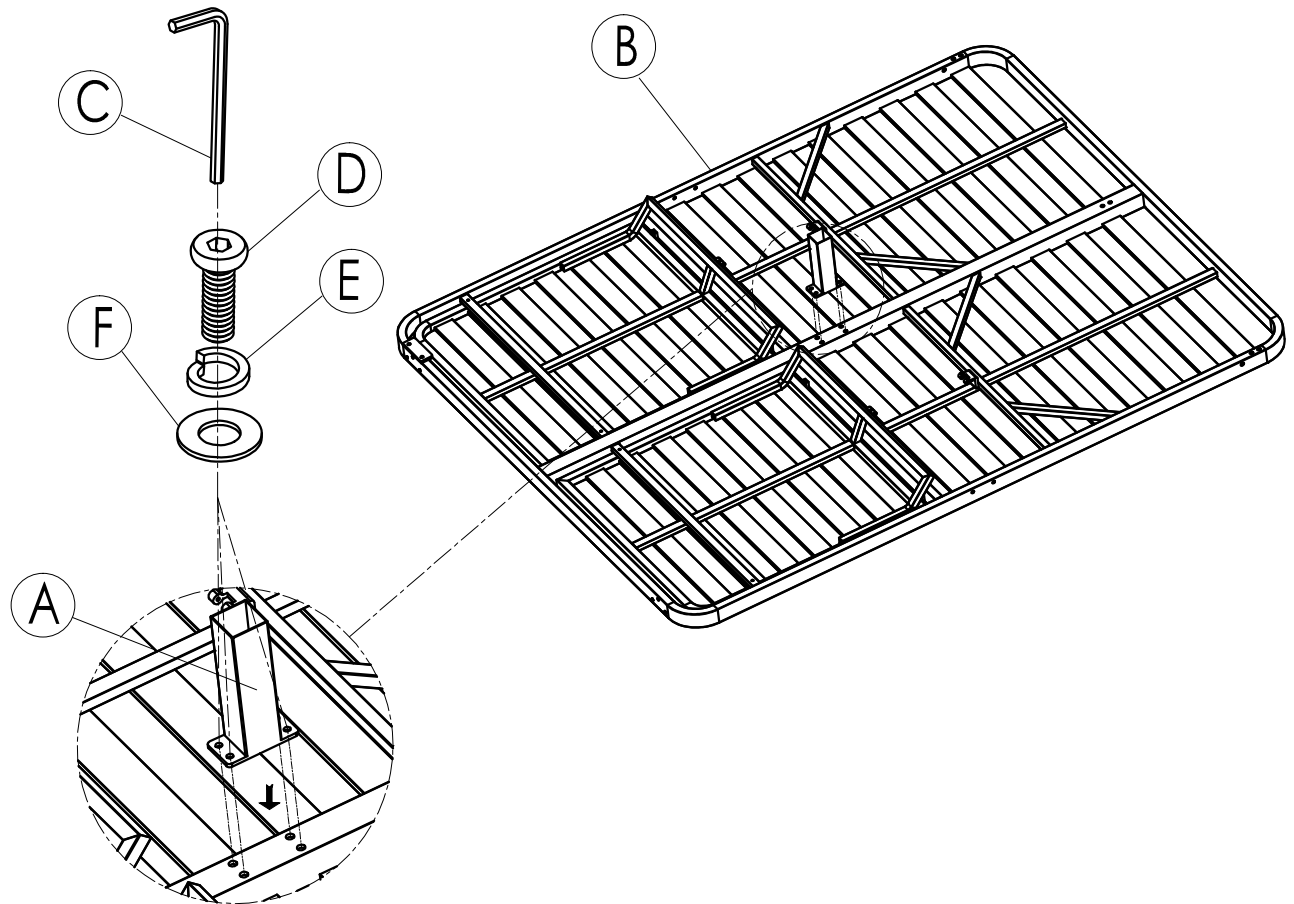
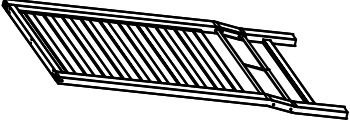
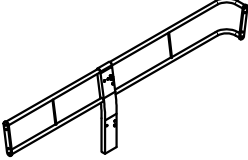
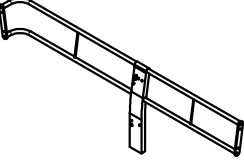

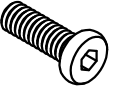
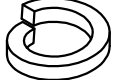
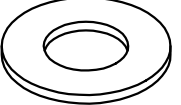


A		x 1
B		x 1
C		x 1 1/4
D		x 4 1/4*20
E		x 4 1/4
F		x 4 1/4

 Lock the screws into 3/4 parts according to the instructions, after levelling the product, tighten all the screws at the end

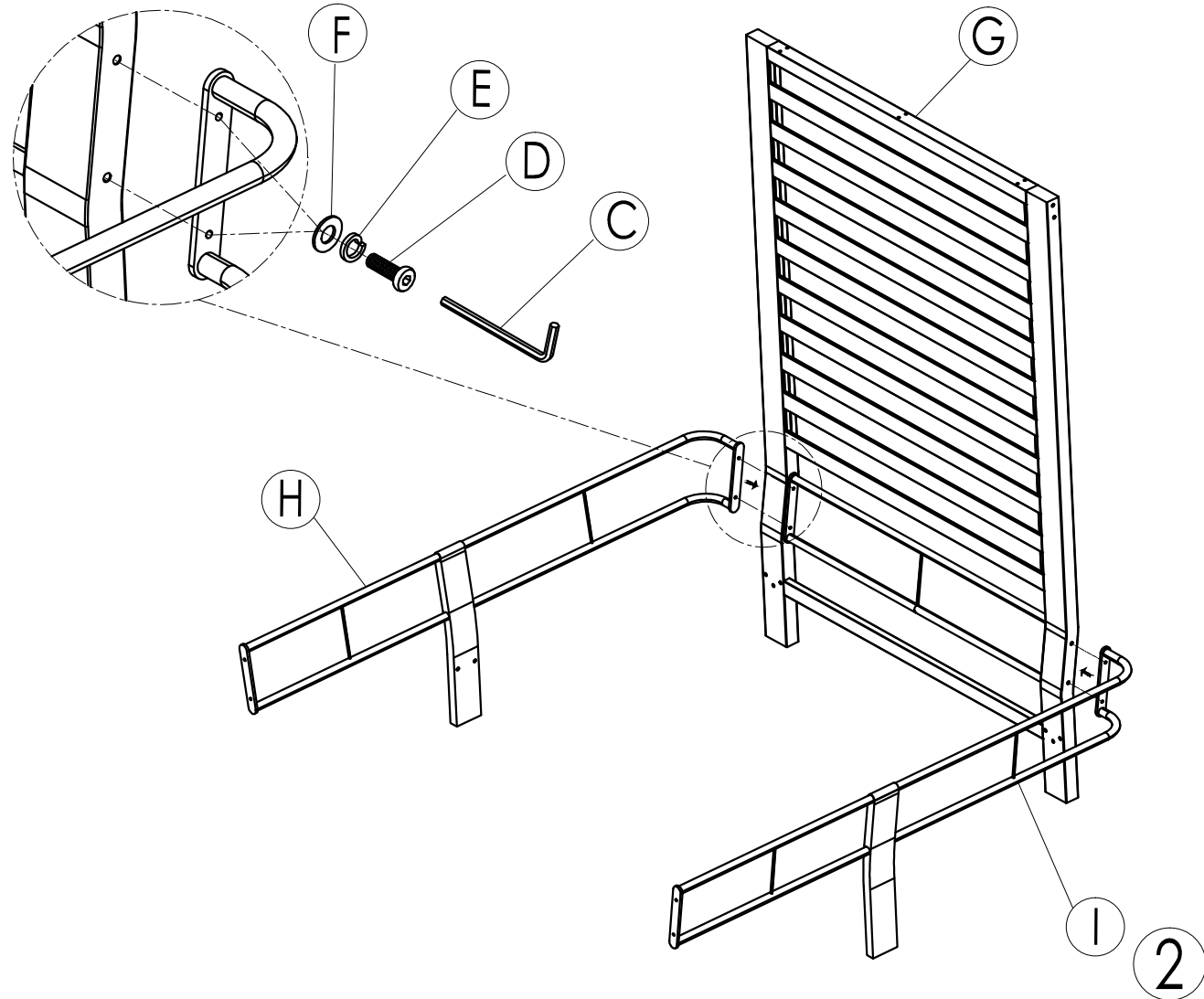


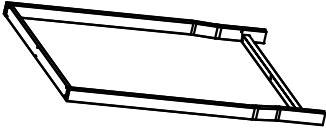
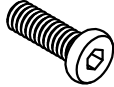

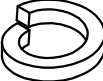
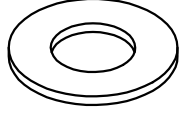
NTH Degree
CLERKENWELL

G		x 1
H		x 1
I		x 1
C	 1/4	
D	 1/4*25	x 4
E	 1/4	x 4
F	 1/4	x 4



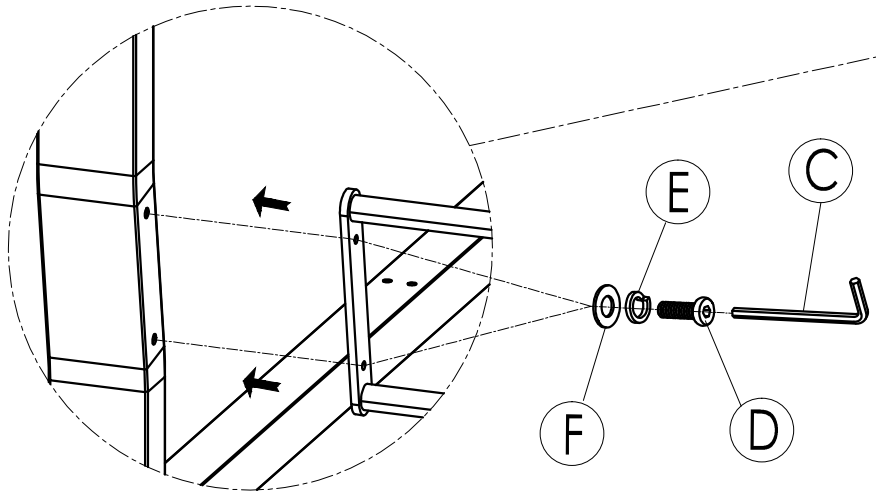
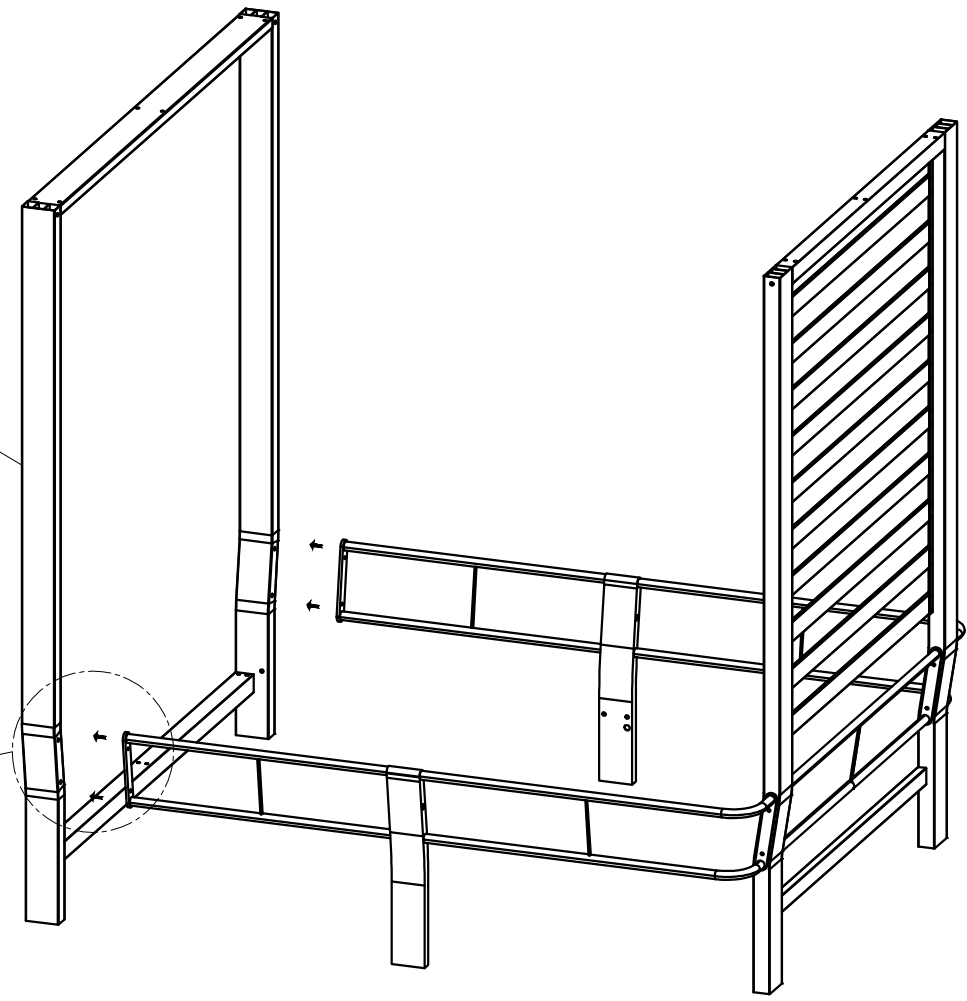
Lock the screws into 3/4 parts according to the instructions, after levelling the product, tighten all the screws at the end


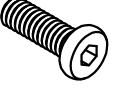





K		x 1
D	 1/4*25	x 4
C		
E	 1/4	x 4
F	 1/4	x 4



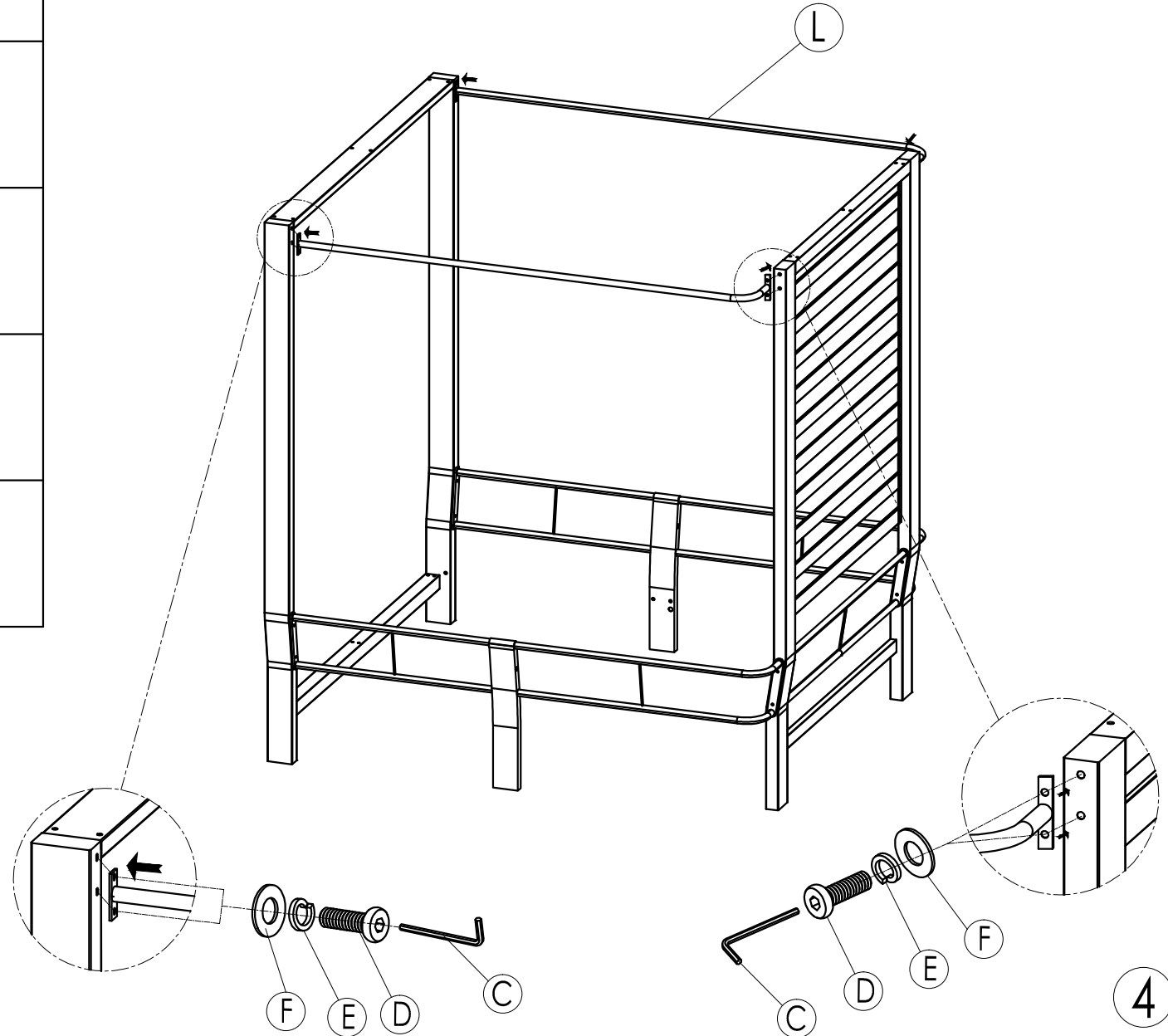
Lock the screws into 3/4 parts according to the instructions, after levelling the product, tighten all the screws at the end

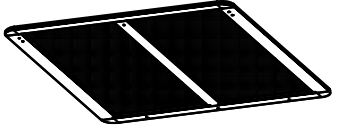

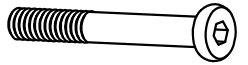
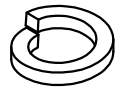
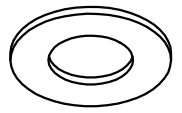



L		x 2
D	 1/4*25	x 8
C	 1/4	
E	 1/4	x 8
F	 1/4	x 8



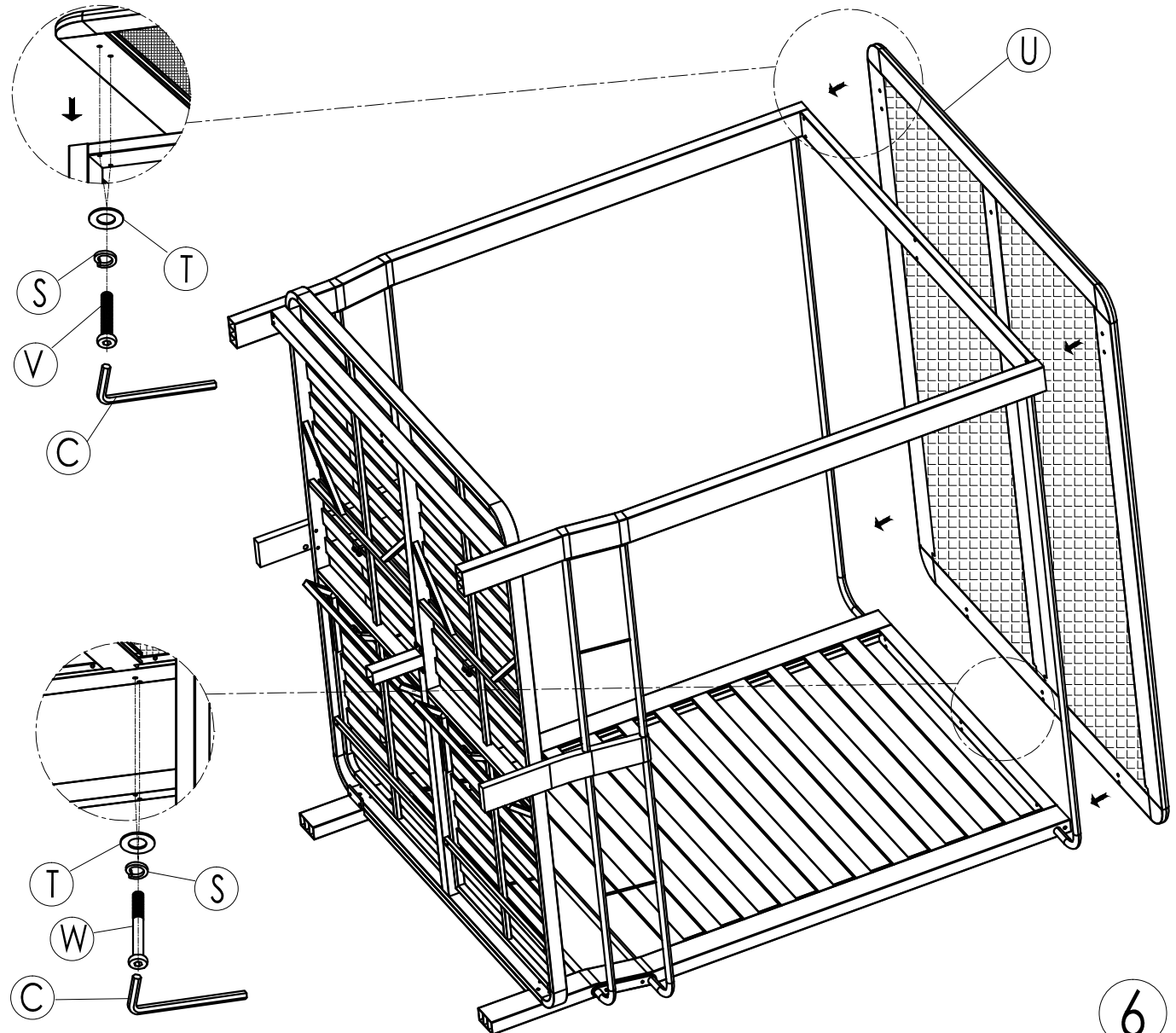
Lock the screws into 3/4 parts according to the instructions, after levelling the product, tighten all the screws at the end

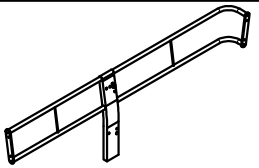
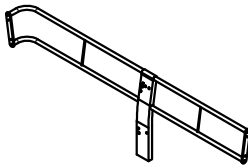


U		x 1
V	 M8*45	x 6
W	 M8*65	x 6
S	 M8	x 12
T	 M8	x 12
C		



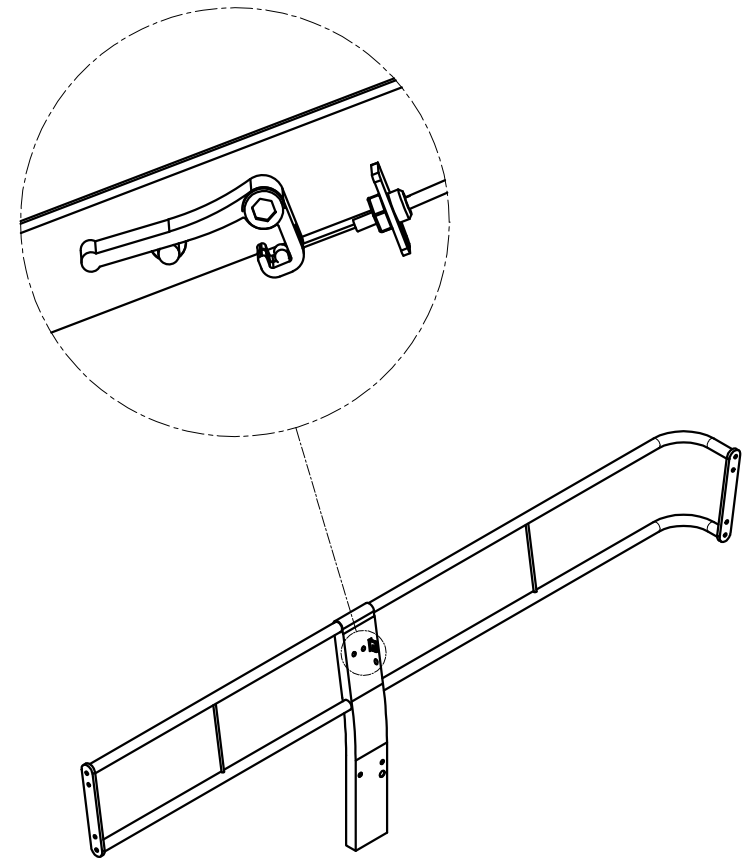
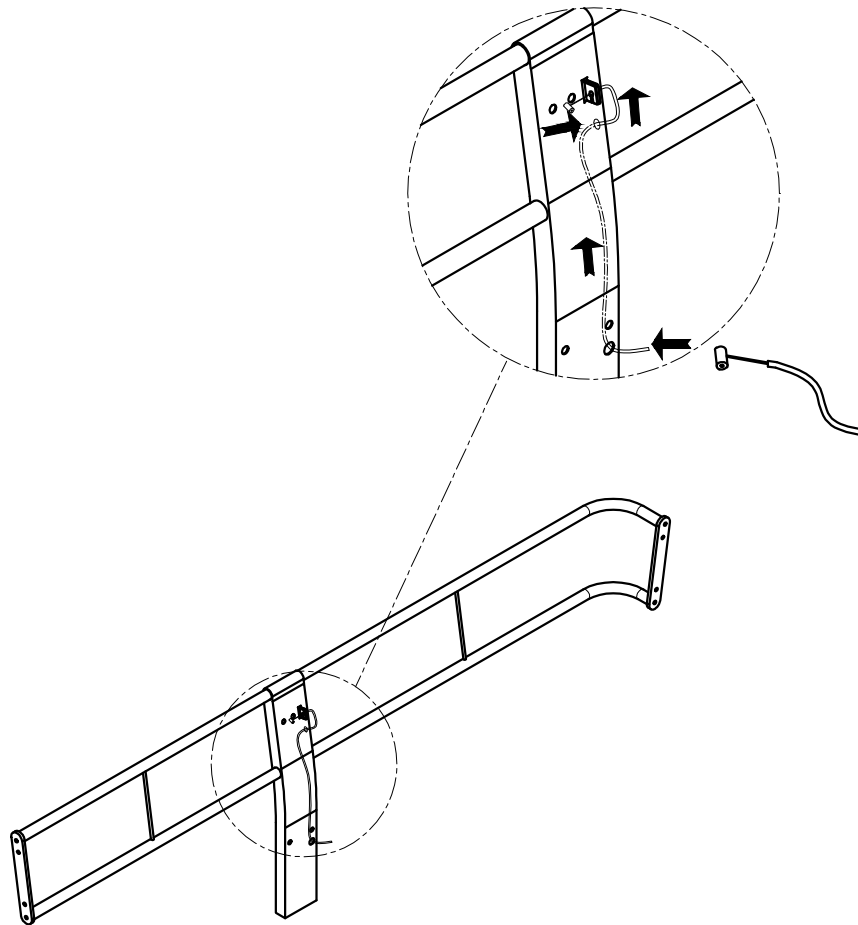
Lock the screws into 3/4 parts according to the instructions, after levelling the product, tighten all the screws at the end

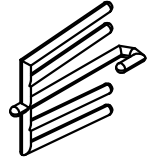
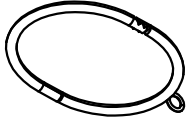



H		x 1
I		x 1



Lock the screws into 3/4 parts according to the instructions, after levelling the product, tighten all the screws at the end



X		x 30
Y		x 30

 Lock the screws into 3/4 parts according to the instructions, after levelling the product, tighten all the screws at the end

