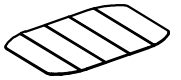
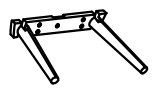



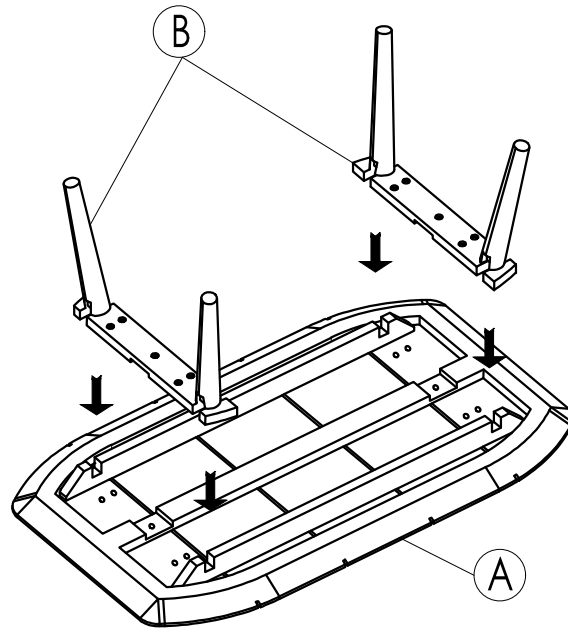


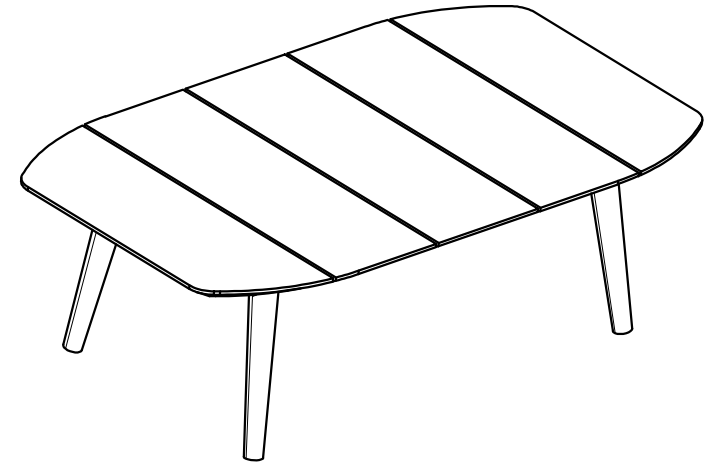
A		X 1
B		X 2
C	 M6*20	X 2
D	 M6*30	X 8
E		X 1



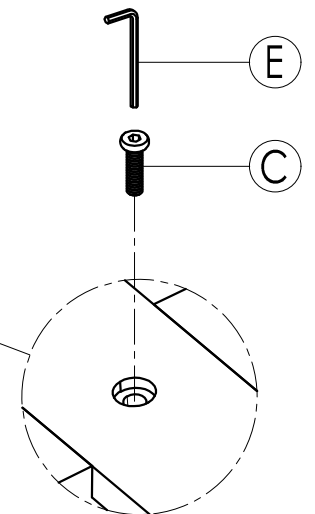
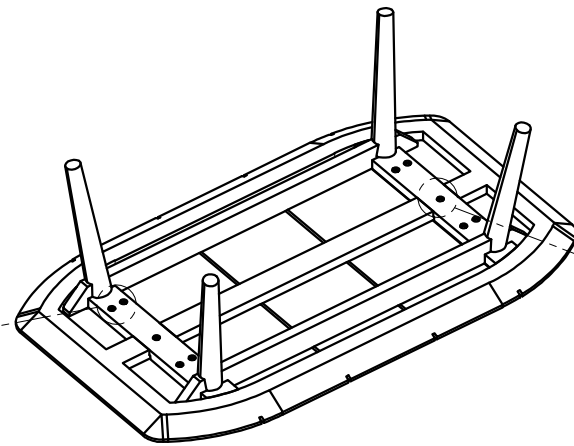
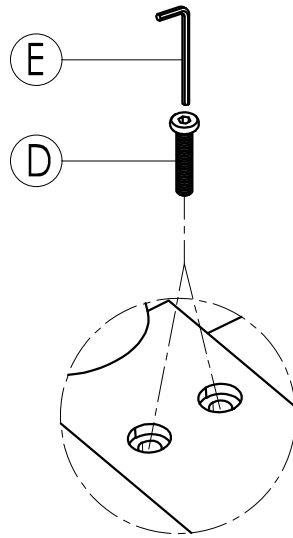
Lock the screws into 3/4 parts according to the instructions, after levelling the product, tighten all the screws at the end



① ③



②



N<sup>TH</sup> Degree  
CLERKENWELL