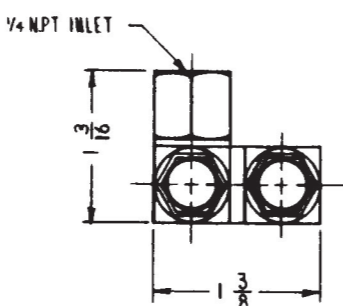
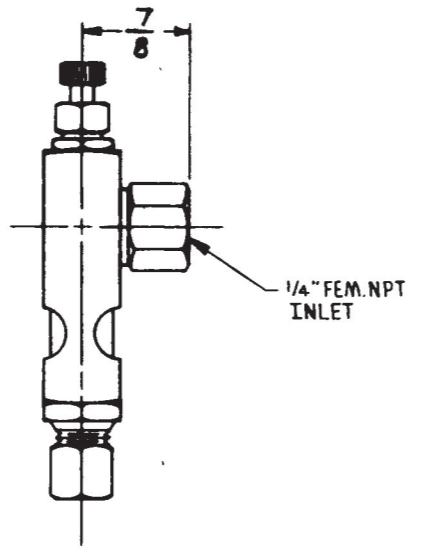
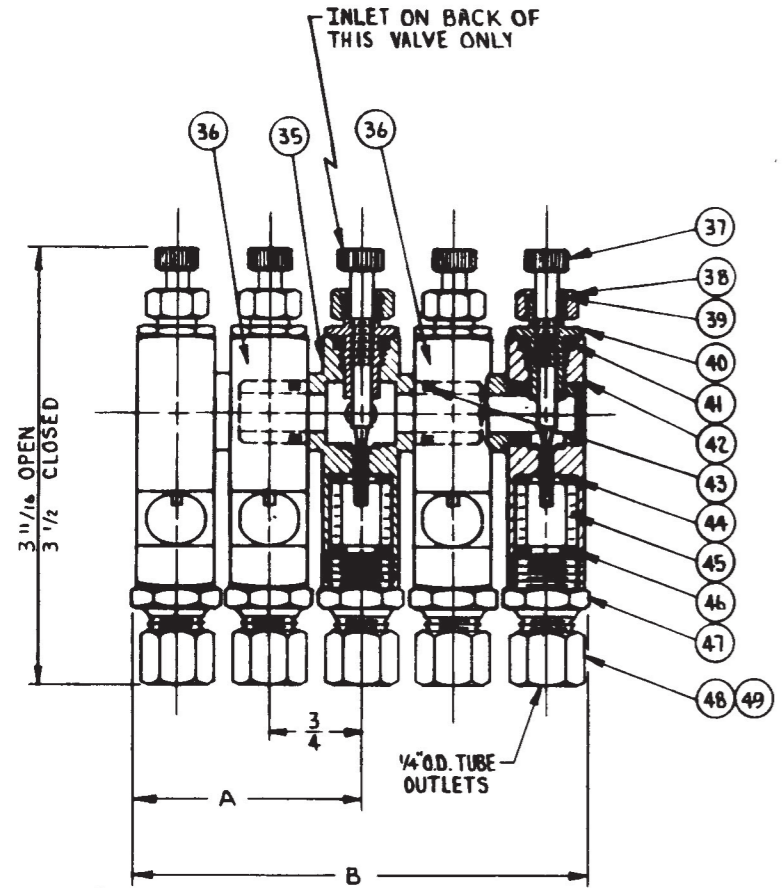
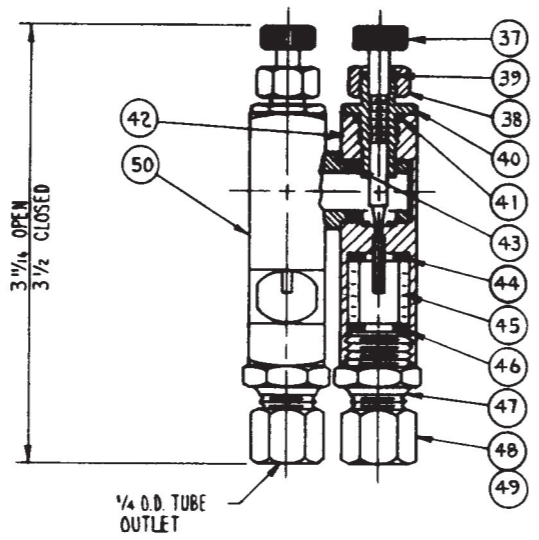


CATALOG NO.	-3	-4	-5	-6	-7	-8	-9	-10	-11	-12	-13	-14	-15	-16	-17	-18	-19	-20	-21	-22	-23	-24
FEEDS	3	4	5	6	7	8	9	10	11	12	13	14	15	16	17	18	19	20	21	22	23	24
A	1 1/16	1 3/16	1 5/16	2 1/16	2 3/16	2 5/16	3 1/16	3 3/16	4 1/16	4 3/16	4 5/16	5 1/16	5 3/16	6 1/16	6 3/16	7 1/16	7 3/16	7 5/16	8 1/16	8 3/16	9 1/16	
B	2 1/8	2 3/8	3 1/8	4 1/8	5 1/8	5 3/8	6 1/8	7 1/8	8 1/8	8 3/8	9 1/8	10 3/8	11 1/8	11 3/8	12 1/8	13 1/8	14 1/8	14 3/8	15 1/8	16 1/8	17 1/8	17 3/8



② 2-FEED ASS'Y.



GROUP	QUAN.	MATERIAL	DWG. NO. OF PART OR DESCRIPTION	NAME	ITEM	
	1	STEEL, PL	B-2539-1	INLET SUB-ASS'Y.	50	
3	3	2	BRASS	A-4177-33	SLEEVE	49
3	3	2	STEEL, PL.	B-352-24	COMPRESSION NUT	48
3	3	2	STEEL, PL.	B-1598-13	BOTTOM 1/4 TUBE	47
3	3	2	BUNA-N	A-2698-1	GASKET SOLID	46
3	3	2	GLASS	A-2693-1	SIGHT 3/64 x 9/16	45
3	3	2	BUNA-N	A-4603-1	GASKET SPLIT	44
2	2	1	BUNA-N	A-2699-7	O-RING 3/8 ID. x .070 W.	43
2	2	1	STEEL, PL.	B-2494-2	BODY SUB-ASS'Y.	42
3	3	2	BUNA-N	A-2699-6	O-RING 5/16 I.D. x .070 W.	41
3	3	2	STEEL, PL.	B-2492-3	NEEDLE ADAPTER	40
3	3	2	BUNA-N	A-2699-3	O-RING 3/16 I.D. x .070 W.	39
3	3	2	STEEL, PL.	A-2752-3	PACKING NUT	38
3	3	2	BRASS	B-2492-2	NEEDLE	37
1-21			STEEL, PL.	B-2496-1	MULTIPLE SUB-ASS'Y.	36
1	1		STEEL, PL.	B-2515-1	CENTER SUB-ASS'Y.	35
X				ASS'Y. 4-24 FEED	4-24	
	X			ASS'Y. 3-FEED	3	
		X		ASS'Y. 2-FEED	2	

C	7164	REMOVED 2-FEED RIGHT IN.	TK 11-4-87
B	6663	REDRAWN ADDED #2	R.H. 8-29-85
REV.	C.A. NO.	CHANGE	BY DATE APP'D

SIGHT FEED VALVES  
2-24 FEEDS  
STYLE SFM

**B-2510**

CLASS: 81.30

REV. C  
11-4  
87