



FEATURES

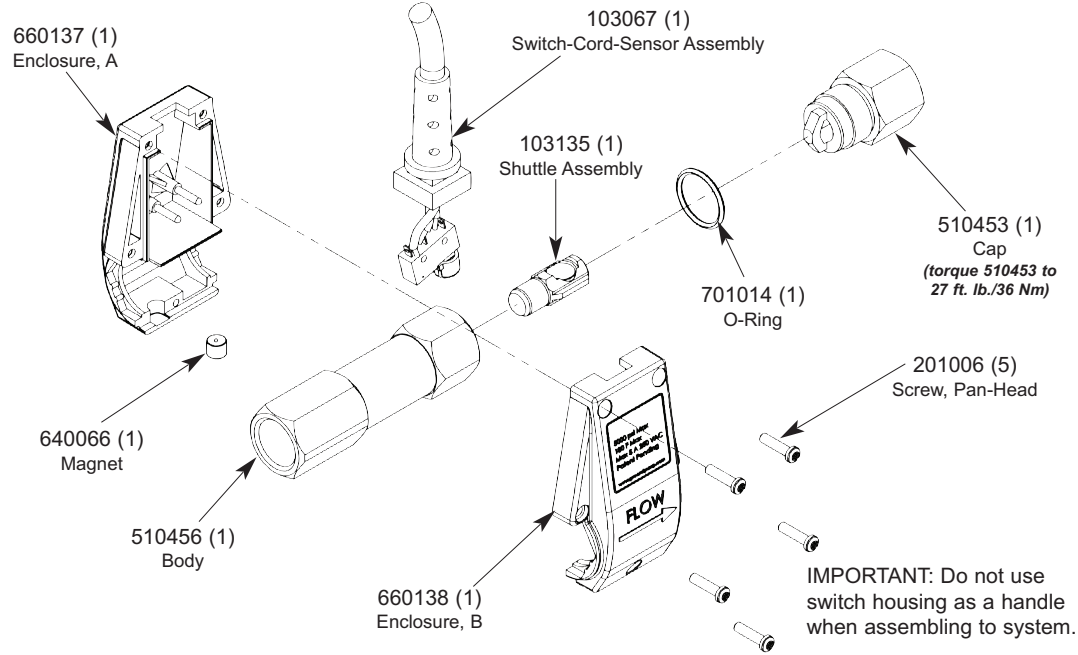
- Micro-switch technology eliminates reed switch
- Activates with 1.25 GPM flow
- Stainless Steel shuttle
- Minimal pressure drop up to 12 gpm flow
- Can be mounted in any position

SPECIFICATIONS

Part Number	100975	
Maximum Operating Pressure	5000 PSI	
Minimum Flow Required for Activation	1.25 GPM	
Maximum Operating Flow	12.0 GPM	
Operating Temperature Range	40 - 180 °F	
Electrical Lead Length	48" - 18AWG	
Switch Ratings	Max Switching Voltage	250 VAC
	Max Switching Current	5 AMPS
	Resistance with Leads	30 OHM
Ports	Inlet	3/8" x 18 NPT-F
	Outlet	3/8" x 18 NPT-F
Dimensions	3.91" x 1.4" x 2.95"	
Weight	1.0 LBS	
Materials	Brass, Stainless Steel, Plastic, Nickel-plated Neodymium	

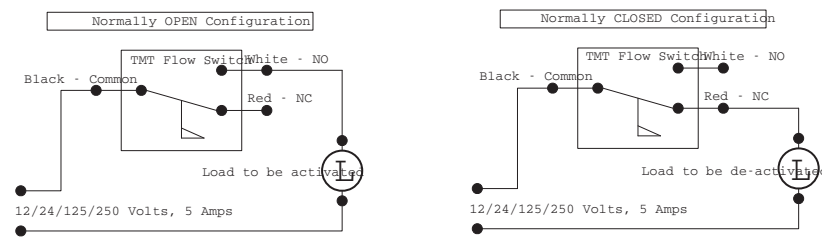
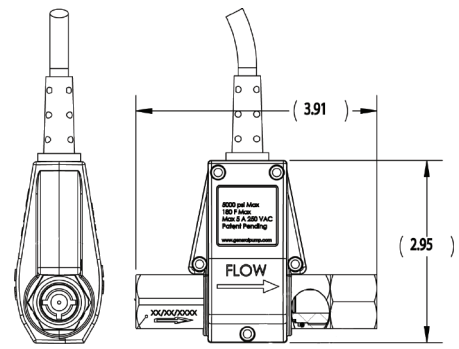
EXPLODED VIEW

NOTE: When using this flow switch in a system containing a positive displacement pump, General Pump recommends the use of a safety relief device(s), correctly placed to protect all areas of the system.



IMPORTANT: Do not use switch housing as a handle when assembling to system.

DIMENSIONS AND WIRING SCHEMATIC



General Pump is a member of The Interpump Group

