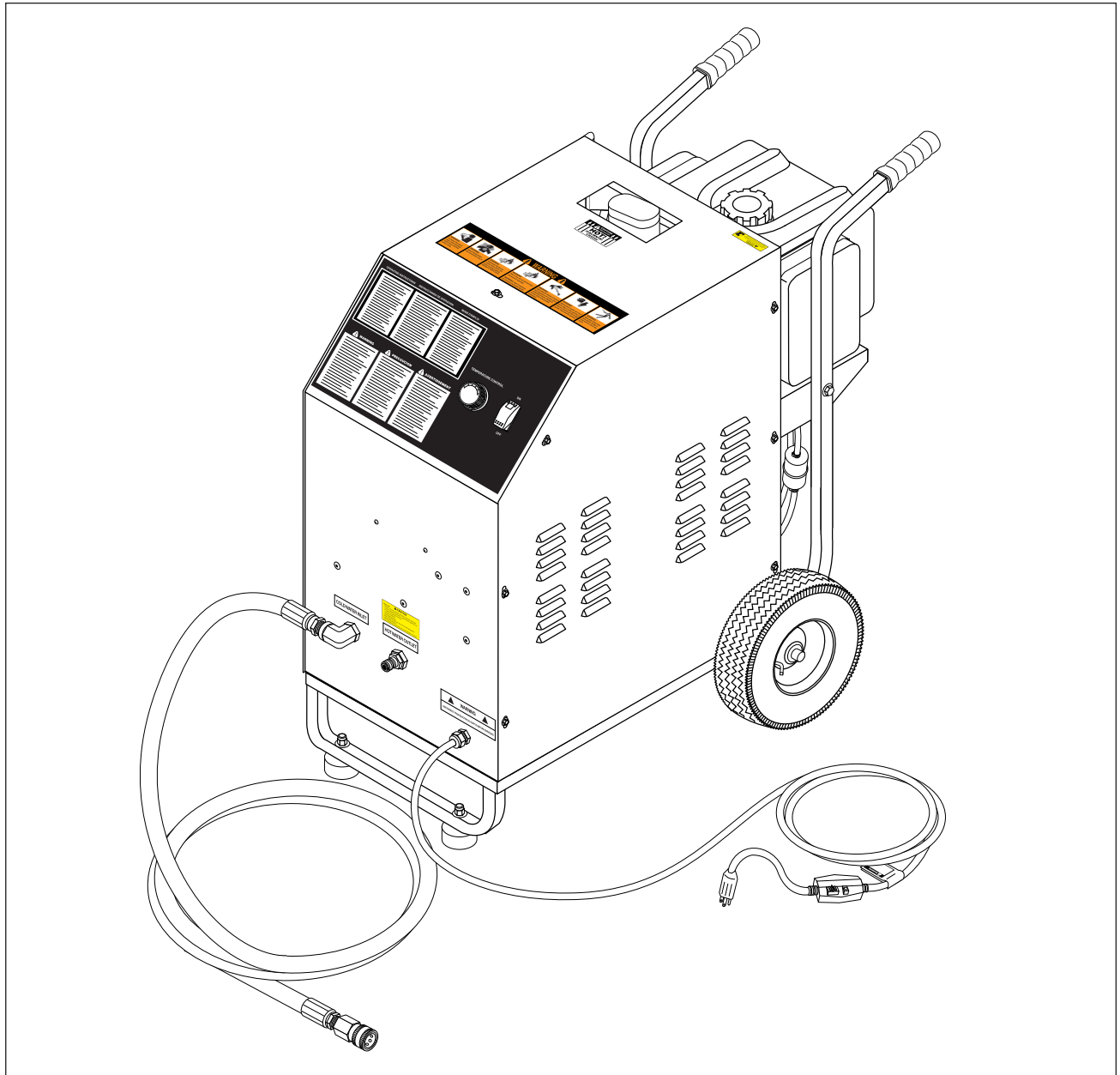


OPERATING INSTRUCTIONS AND PARTS MANUAL



For technical assistance or the Dealer nearest you, call 1-479-756-5874,
1-800-752-0177 or visit www.spraymart.com

Introduction	4
Important Safety Information	4-5
Installation	5,7
Component Identification	6
Starting and Operating Instructions, Storage	7-10
Troubleshooting	11-12
Preventative Maintenance	13
Shutdown & Clean-up	13
Maintenance and Service	13-14
Field Service of Fuel Pump	14-15
Machine Assembly Exploded View	16
Machine Assembly Exploded View Parts List	17
Burner Assembly, Exploded View	18
Burner Assembly Exploded View Parts Lists	19
Warranty	

Model Number _____

Serial Number _____

Date of Purchase _____

The model and serial numbers will be found on a decal attached to the machine. You should record both serial number and date of purchase and keep in a safe place for future reference.

INTRODUCTION & IMPORTANT SAFETY INFORMATION

All information in this manual is based on the latest product information available at the time of printing.

This machine is designed to heat water from a cold water pressure washer. Maximum water flow is 5 GPM and maximum pressure is 3000 PSI. Flow rate of 3 GPM will achieve an average temperature of about 180°F. Temperature is dependent on inlet water temperature and water flow rate.

We reserve the right to make changes at any time without incurring any obligation.

Owner/User Responsibility:

The owner and/or user must have an understanding of the manufacturer's operating instructions and warnings before using this hot water generator. Warning information should be emphasized and understood. If the operator is not fluent in English, the manufacturer's instructions and warnings shall be read to and discussed with the operator in the operator's native language by the purchaser/owner, making sure that the operator comprehends its contents.

Owner and/or user must study and maintain for future reference the manufacturers' instructions.

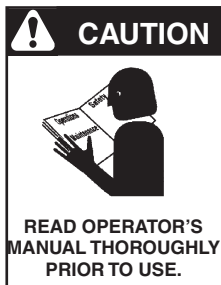
SAVE THESE INSTRUCTIONS

This manual should be considered a permanent part of the machine and should remain with it if machine is resold.

When ordering parts, please specify model and serial number. Use only identical replacement parts.

This machine is to be used only by trained operators.

IMPORTANT SAFETY INFORMATION



CAUTION: To reduce the risk of injury, read operating instructions carefully before using.

1. Read the owner's manual thoroughly. Failure to follow instructions could cause malfunction of the machine and result in death, serious bodily injury and/or property damage.
2. All installations must comply with local codes. Contact your electrician, plumber, utility company or the selling distributor for specific details.

To comply with the National Electrical Code (NGPA 70) and provide additional protection from risk of electric shock, this hot water generator is equipped with a UL approved ground fault circuit interrupter (GFCI) power cord.



WARNING: Flammable liquids can create fumes which can ignite causing property damage or severe injury.

WARNING: Do not use gasoline, crankcase drainings or oil containing gasoline, solvents or alcohol. Doing so will result in fire and/or explosion.

WARNING: Do not spray flammable liquids. Operate only where an open torch is permitted.

3. This fuel burning machine shall be installed only in locations where combustible dusts and flammable gases or vapors are not present.
4. In these oil burning models, use only kerosene, No. 1 home heating fuel, or diesel fuel.



WARNING: Keep water spray, wand and high pressure hose away from electric wiring or fatal electric shock may result. Read warning tag on electrical cord.

5. To help protect the operator from electrical shock, the machine must be electrically grounded. It is the responsibility of the owner to connect this machine to a UL grounded receptacle of proper voltage and amperage ratings. Do not spray water on or near electrical components. Do not touch machine with wet hands or while standing in water. Always disconnect power before servicing.

WARNING: Spray gun kicks back — hold attached pressure washer with both hands.

6. Grip cleaning wand of attached pressure washer securely with both hands before starting cleaner. Failure to do this could result in injury from a whipping wand.



WARNING: High pressure stream of fluid that this equipment can produce can pierce the skin and its underlying tissues, leading to serious injury and possible amputation.

NOTE: The heating module does not produce pressure. Pressure is developed from attached pressure washer.

attached pressure washer.

IMPORTANT SAFETY INFORMATION

7. High pressure developed by the attached pressure washer can cause bodily injury or damage.

Use caution when operating. Do not point the spray gun from the attached pressure washer at anyone or at any part of the body. This machine is to be used only by qualified operators.

8. Never make adjustments on machine while it is in operation.



WARNING: High pressure spray from attached pressure washer can cause paint chips or other particles to become airborne and fly at high speeds.

9. Eye safety devices must be worn when using this equipment.



WARNING: Risk of asphyxiation — Use this product only in a well ventilated area.

10. When the machine is operating, do not cover or place in a closed space where ventilation is insufficient.



WARNING: Risk of fire — Do not add fuel when the machine is operating or still hot.

11. Attached pressure washer with a spray gun should not be operated with the spray gun in the OFF position for extended periods of time as this may cause damage to the pump.

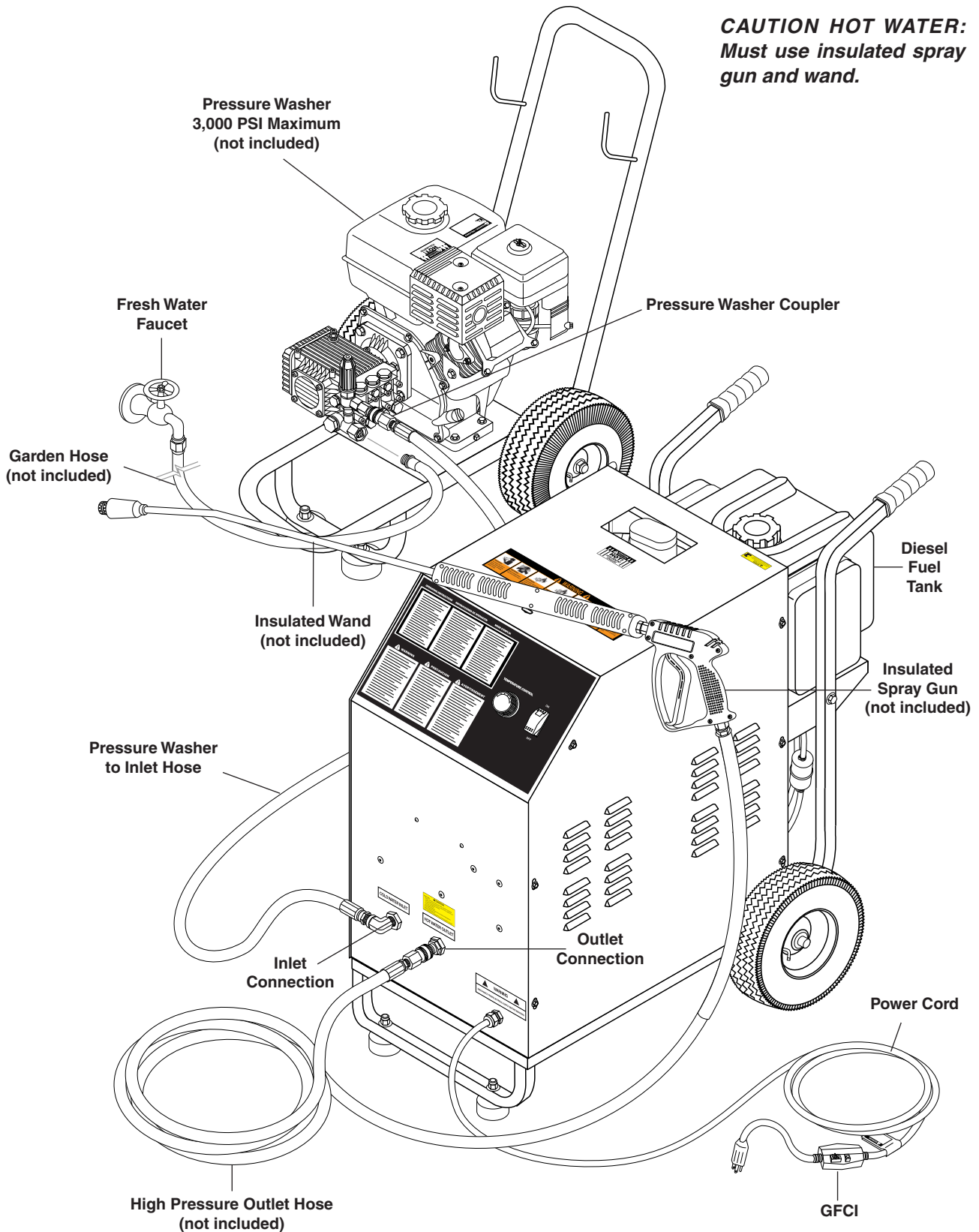
Check to make sure burner shuts off when spray gun trigger is closed.

12. Protect from freezing.
13. To prevent a serious injury, make certain quick coupler on discharge hose has locked before using pressure washer.
14. Do not allow acids, caustic or abrasive fluids to pass through the machine.
15. Inlet water must be from a cold water pressure washer (3,000 PSI maximum).
16. Do not allow CHILDREN to operate the pressure washer at any time. **THIS MACHINE MUST BE ATTENDED DURING OPERATION.**
17. The best insurance against an accident is precaution and knowledge of the machine.
18. Do not operate this product when fatigued or under the influence of alcohol or drugs. Keep operating area clear of all persons.
19. We will not be liable for any changes made to our standard machines, or any components not purchased from us.
20. Do not overreach or stand on unstable support. Keep good footing and balance at all times.
21. Follow the maintenance instructions specified in the manual.
22. When making repairs disconnect from electrical source.
23. Turn burner off and open spray gun to allow water to flow and cool coil to 100°F before turning machine off.
24. Before disconnecting high pressure hose from machine water outlet, open spray gun to relieve back pressure in hose.

CAUTION: This machine produces hot water and must have insulated components attached to protect the operator.

COMPONENT IDENTIFICATION

CAUTION HOT WATER:
Must use insulated spray gun and wand.



INSTALLATION

Place machine in a convenient location providing ample support, drainage and room for maintenance. Remove bolts from pallet to foot bracket. Install rubber feet provided as shown in exploded view.

Location:

The location should protect the machine from damaging environmental conditions, such as; wind, rain, and freezing.

1. This machine should be run on a level surface where it is not readily influenced by outside sources such as strong winds, freezing temperatures, rain, etc. It should be located to allow accessibility for refilling of fuel, adjustments and maintenance. Normal precautions should be taken by the operator of the machine to prevent moisture from reaching the electrical controls.
2. It is recommended that a partition be made between the wash area and the machine to prevent water spray from coming in contact with the machine. Excess moisture reaching any electric components or electrical controls will reduce machine life and may cause electrical shorts.
3. During installation of the machine, beware of poorly ventilated locations or areas where exhaust fans may cause an insufficient supply of oxygen. Sufficient combustion can only be obtained when there is a sufficient supply of oxygen available for the amount of fuel being burned. If it is necessary to install a machine in a poorly ventilated area, outside fresh air may have to be piped to the burner and a fan installed to bring air into the machine.

Electrical:

This machine, when installed, must be electrically grounded in accordance to local codes. Check for proper power supply using a volt meter.

Placement:

Do not locate near any combustible material. Keep all flammable material at least 20 feet away.

Allow enough space for servicing the machine.

Local code will require certain distances from floor and walls. (Two feet away from walls should be adequate.)

Water Source:

The water source for the pressure washer should be supplied by a minimum 5/8" I.D. garden hose with a city water pressure of not less than 30 PSI. If the water supply is inadequate, or if the garden hose is kinked, the attached pressure washer will run very rough and the burner will not fire.

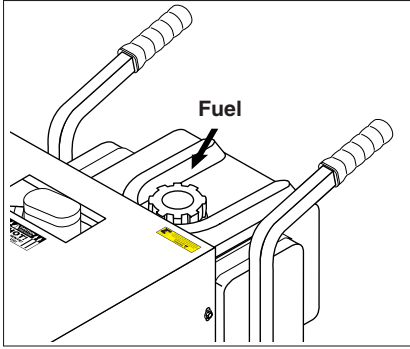
Connection:

See Component Identification.

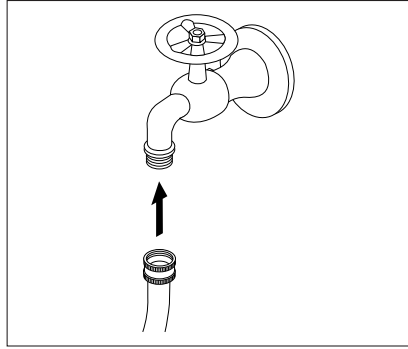
Venting:

Adding exhaust vent pipe to your oil fired burner is not recommended because restricted air flow causes carbon build-up, which affects the operation, and increases maintenance on the coil. If a stack must be used, refrain from using 90° bends. If the pipe can not go straight up then use only 45° bends and go to the next size pipe. The overall pipe length must not exceed 6 feet in length. The burner air adjustment must be performed after vent pipe is installed. Use a smoke tester for proper air setting.

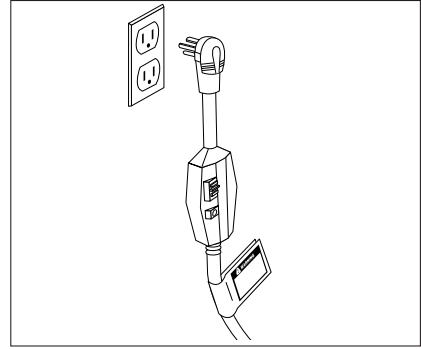
OPERATING INSTRUCTIONS



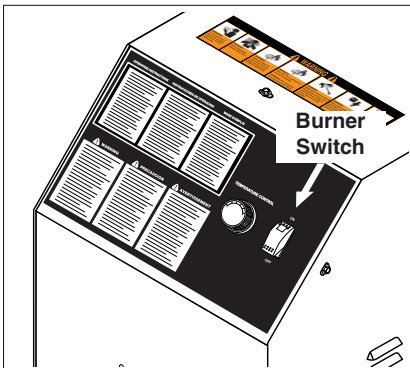
STEP 1: Check fuel tank and pump oil levels on both machines and connect garden hose to pressure washer. **CAUTION:** Use only fresh water to this machine.



STEP 2: Attach high pressure hose between pressure washer and machine. Turn garden hose water on. Additional adapters and couplers may be needed to connect your brand of pressure washer to the machine.



STEP 4: Connect the power cord into the proper electrical outlet, then push in the GFCI reset button. Start up attached pressure washer according to the manufacturer's instructions. When a steady stream of water flows from the spray gun and wand, the machine is ready for cold water cleaning.

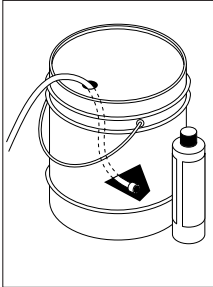


STEP 4: For hot water washing, turn the machine burner switch to the ON position. Adjust thermostat to desired temperature setting. (The burner will light automatically.)

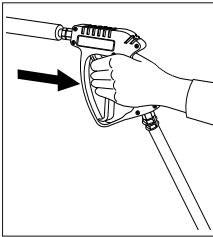
DETERGENTS AND GENERAL OPERATING TECHNIQUES



WARNING: Some detergents may be harmful if inhaled or ingested, causing severe nausea, fainting or poisoning. The harmful elements may cause property damage or severe injury.



STEP 1: Use detergent designed specifically for pressure washers. Household detergents could damage the pump. Prepare detergent solution as required by the manufacturer. Fill a container with pressure washer detergent. Place the filter end of detergent suction tube into the detergent container.



STEP 2: With the motor running, pull trigger to operate machine. Liquid detergent is drawn into the machine and mixed with water. Apply detergent to work area. Do not allow detergent to dry on surface.

IMPORTANT: You must flush the detergent injection system after each use by placing the suction tube into a bucket of clean water, then run the pressure washer in low pressure for 1-2 minutes.

CLEANING TIPS

Pre-rinse cleaning surface with fresh water. Place detergent suction tube directly into cleaning solution and apply to surface at low pressure (for best results, limit your work area to sections approximately 6 feet square and always apply detergent from bottom to top). Allow detergent to remain on surface 1-3 minutes. Do not allow detergent to dry on surface. If surface appears to be drying, simply wet down surface with fresh water. If needed, use brush to remove stubborn dirt. Rinse at high pressure from top to bottom in an even sweeping motion keeping the spray nozzle approximately 1 foot from cleaning surface. Use overlapping strokes as you clean and rinse any surface. For best surface cleaning action spray at a slight angle.

Recommendations:

- Before cleaning any surface, an inconspicuous area should be cleaned to test spray pattern and distance for maximum cleaning results.
- If painted surfaces are peeling or chipping, use extreme caution as pressure washer may remove the loose paint from the surface.
- Keep the spray nozzle a safe distance from the surface you plan to clean. High pressure wash a small area, then check the surface for damage. If no damage is found, continue to pressure washing.

CAUTION - Never use:

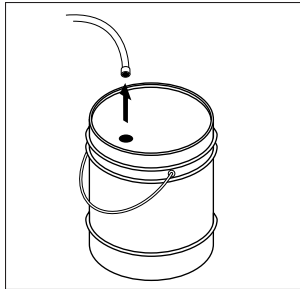
- Bleach, chlorine and other corrosive chemicals
- Liquids containing solvents (i.e., paint thinner, gasoline, oils)
- Trisodium phosphate products
- Ammonia products
- Acid-based products

These chemicals will harm the machine and will damage the surface being cleaned.

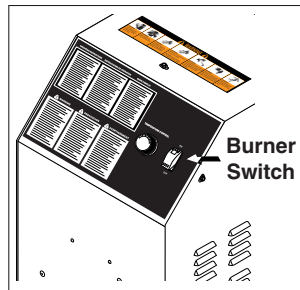
RINSING

It will take a few seconds for the detergent to clear. Apply safety latch to spray gun. Remove black soap nozzle from the quick coupler. Select and install the desired high pressure nozzle. **NOTE:** You can also stop detergent from flowing by simply removing detergent siphon tube from bottle.

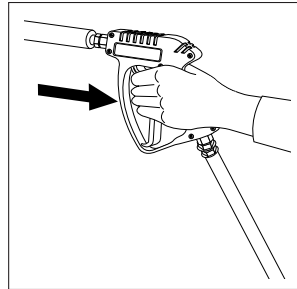
SHUTTING DOWN AND CLEAN-UP



STEP 1: If using an optional detergent injector, place the detergent line in a bucket of water allowing detergent to be flushed from system.



STEP 2: Turn burner switch off and continue spraying water, allowing the water to cool. After water has cooled to less than 100°F, turn the attached pressure washer off.



STEP 3: Turn garden hose water off. Open the spray gun to relieve remaining pressure.

STORAGE

CAUTION: Always store your pressure washer in a location where the temperature will not fall below 32°F (0°C). The pump in this machine is susceptible to permanent damage if frozen. **FREEZE DAMAGE IS NOT COVERED BY WARRANTY.**

1. Stop the pressure washer, squeeze spray gun trigger to release pressure.
2. Detach water supply hose and high pressure hose.
3. Turn on the machine for a few seconds, until remaining water exits. Turn engine off immediately.
4. Drain the gas and oil from the engine.
5. Do not allow high pressure hose to become kinked.
6. Store the machine and accessories in a room which does not reach freezing temperatures.

CAUTION: Failure to follow the above directions will result in damage to your pressure washer.

When the pressure washer is not being operated or is being stored for more than one month, follow these instructions:

1. Replenish engine oil to upper level.
2. Drain gasoline from fuel tank, fuel line, fuel valve and carburetor.
3. Pour about one teaspoon of engine oil through the spark plug hole, pull the starter grip several times and replace the plug. Then pull the starter grip slowly until you feel increased pressure which indicates the piston is on its compression stroke and leave it in that position. This closes both the intake and exhaust valves to prevent rusting of cylinder.

4. Cover the pressure washer and store in a clean, dry place that is well ventilated away from open flame or sparks. **NOTE:** The use of a fuel additive, such as STA-BIL®, or an equivalent, will minimize the formulation of fuel deposits during storage. Such additives may be added to the gasoline in the fuel tank of the engine, or to the gasoline in a storage container.

After Extended Storage



CAUTION: Prior to restarting, thaw out any possible ice from pressure washer hoses, spray gun or wand.

Engine Maintenance

During the winter months, rare atmospheric conditions may develop which will cause an icing condition in the carburetor. If this develops, the engine may run rough, lose power and may stall. This temporary condition can be overcome by deflecting some of the hot air from the engine over the carburetor area. **NOTE:** Refer to the engine manufacturer's manual for service and maintenance of the engine.

TROUBLESHOOTING

PROBLEM	POSSIBLE CAUSE	SOLUTION
BURNER WILL NOT LIGHT	Disconnected or short in electrical wiring	All wire contacts should be clean and tight. No breaks in wire.
	Burner motor thermal protector tripped	If tripped, check voltage, connections and extensions for cause. Check fuel pump shaft rotation for binding, causing motor to overheat.
	ON/OFF switch defective	Check continuity through burner switch.
	Heavy sooting on coil and burner, can cause interruption of air flow and shorting of electrodes	Clean as required.
	Improper electrode setting	Clean and test according to diagram in operator's manual.
	Fuel not reaching combustion chamber	Check fuel pump for proper flow. Check solenoid flow switch on machines with spray gun control for proper ON/OFF flow switch.
	Fuel solenoid malfunction	Check by placing screwdriver inside coil then turn machine on, open spray gun and check for magnetic pull.
	Clogged burner nozzle	Replace.
	Water not turned on	Turn on water to activate burner flow switch.
	Flow switch malfunction	Remove, test for continuity and replace as needed.
MACHINE SMOKES	Improper fuel or water in fuel	Drain tank and replace contaminated fuel.
	Low fuel pressure	Adjust fuel pump pressure to specifications.
	Air leaks in fuel lines	Check fuel lines for leaks or air bubbles. Tighten or replace as needed.
	Plugged or dirty burner nozzle	Replace.
	Faulty burner nozzle spray pattern	Replace nozzle.
	Heavy accumulation of soot on coils and burner assembly	Remove coils and burner assembly. Clean thoroughly.
	Misaligned electrode	Realign electrodes to specifications.
	Fuel filter partially clogged	Replace as needed.
	Obstruction in smoke stack	Check for insulation blockage or other foreign objects.
	Soot build-up on coils	Clean coils with soot remover.
	Lime build-up in coils	Clean inside of coils using coil cleaner.

TROUBLESHOOTING

PROBLEM	POSSIBLE CAUSE	SOLUTION
LOW WATER TEMPERATURE	Improper fuel or water in fuel	Drain fuel tank and replace with proper fuel.
	Low fuel pressure	Increase fuel pressure.
	Weak fuel pump	Check fuel pump temperature. Replace pump if needed.
	Fuel filter partially clogged	Replace as needed.
	Soot build up on coils	Clean coils with soot remover.
	Lime build up on coils	Clean inside of coils using coil cleaner.
	Improper burner nozzle	See specifications.
WATER TEMPERATURE TOO HOT	Incoming water to machine warm or hot	Lower incoming water temperature.
	Fuel pump pressure too high	Lower fuel pressure.
	Fuel pump defective	Replace fuel pump.
	Detergent line sucking air	Tighten all clamps. Check detergent line for holes.
	Defective high limit switch (thermostat)	Replace.
	Incorrect fuel nozzle size	See Burner Nozzle section.
	Insufficient water supplied	Check GPM to machine.
	Restricted water flow	Check nozzle for obstruction, proper size.

PREVENTATIVE MAINTENANCE

MAINTENANCE SCHEDULE		
Machine	Clean	Daily
Water Lines	Check	Daily
Fittings	Check	Daily
Fuel Filter	Clean	Weekly
Inlet Strainer	Clean	Weekly
Fuel Nozzle	Clean	Weekly
Fuel Tank	Clean	Weekly
Electrodes	Adjust	Monthly
Fuel Pump Strainer	Clean	Monthly
Electrode Wires	Check	Monthly

PREVENTATIVE MAINTENANCE

1. Use clean fuel - kerosene, No. 1 home heating fuel or diesel. Clean or replace fuel filter every 100 hours of operation. Avoid water contaminated fuel as it will seize up the fuel pump. De-soot coils monthly. Use an additive if diesel is being used.
2. Check to see that the attached pressure washer water pump is properly lubricated.
3. Follow winterizing instructions to prevent freeze damage to pump and coils.
4. Always neutralize and flush detergent from system after use.
5. If water is known to be high in mineral content, use a water softener on your water system, or de-scale as needed.
6. Do not allow acidic, caustic or abrasive fluids to be pumped through system.
7. Always use high grade quality cleaning products.
8. Never run attached pressure washer pump dry for extended periods of time.
9. If machine is operated with smoky or eye burning exhaust, coils will soot up, not letting water reach maximum operating temperature. (See section on Maintenance and Service).
10. Never allow water to be sprayed on or near the motor or burner assembly or any electrical component.
11. Delime coils as per instructions.

It is advisable, periodically, to visually inspect the burner. Check air inlet to make sure it is not clogged or blocked. Wipe off any oil spills and keep equipment clean and dry.

The areas around the machine should be kept clean and free of combustible materials, gasoline and other flammable vapors and liquids.

The flow of ventilating air to the burner must not be blocked or obstructed in any manner.

MAINTENANCE AND SERVICE

Winterizing Procedure:

Damage due to freezing is not covered by warranty. Adhere to the following cold weather procedures whenever the washer must be stored or operated outdoors under freezing conditions.

During winter months, when temperatures drop below 32°F, protecting your machine against freezing is necessary. Store the machine in a heated room. If this is not possible use compressed air on the short hose end. By injecting compressed air, all water will be blown out of the system. Run anti-freeze through the system.

Rupture Disk:

For safety, each machine is equipped with a rupture disk. In the event the pressure of the water should exceed 8000 PSI, the rupture disk will release pressure and water on to the ground.

When the disk ruptures, it will need to be replaced.

NOTE: Turn burner switch off. Then open spray gun to cool heating coil or rupture disk will burst over time.

Adjustable Thermostat:

The adjustable thermostat can be set between 100°F to 225°F (37.8° to 108°C). The temperature is dependent on water flow and ambient water temperature.

Cleaning of Coils:

In alkaline water areas, lime deposits can accumulate rapidly inside the coil pipes. This growth is increased by the extreme heat build up in the coil. The best prevention for liming conditions is to use high quality cleaning detergents. In areas where alkaline water is an extreme problem, periodic use of Deliming Powder will remove lime and other deposits before coil becomes plugged.

Deliming Coils With A Pressure Washer:

Periodic flushing of coils or optional float tank is recommended.

Step 1 Fill a 5 gallon bucket with 4 gallons of water, then add 1 lb. of deliming powder. Mix thoroughly.

Step 2 Remove the high pressure nozzle from the pressure wand and put the wand into the bucket. Secure the trigger on the spray gun in the open position.

Step 3 Attach a short section (3-5 ft.) of garden hose to the attached pressure washer to siphon solution from the elevated bucket. Start up pressure washer, allowing solution to be pumped through pressure washer and into coils and back into the bucket. Solution should be allowed to circulate 2-4 hours.

Step 4 After circulating solution flush entire system with fresh water.

Removal of Soot In Heating Coil:

In the heating process fuel residue, in the form of soot deposits, may develop between the heating coil pipes and block air flow which affects burner combustion. When soot has been detected on visual observation, the soot on the coil must be cleaned off.

MAINTENANCE AND SERVICE

Fuel:

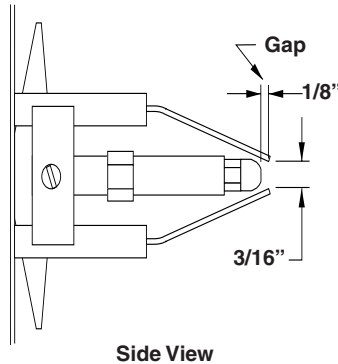
Use clean fuel oil that is not contaminated with water and debris. Replace fuel filter and drain tank every 100 hours of operation. Use Kerosene No. 1 or No. 2 Heating Fuel (ASTM D306) or diesel only. **NEVER** use gasoline in your burner tank. Gasoline is more combustible than fuel oil and could result in a serious explosion. **NEVER** use crankcase or waste oil in your burner. Fuel machine malfunction could result from contamination.

Ignition Circuit:

Periodically inspect wires, spring contact and electrodes for condition, security and proper spacing. **(CAUTION: 10,000 VOLTS)**

Electrode Setting:

(See illustration below)



Side View

Electrodes Check : Periodically check wiring connections. If necessary to adjust electrodes, use diagram.

Burner Nozzle:

Keep the tip free of surface deposits by wiping it with a clean, solvent-saturated cloth, being careful not to plug or enlarge the nozzle. For maximum efficiency, replace the nozzle each season. Select nozzle size based on the pressure washer you will be using:

Nozzle	Pressure Washer GPM
1.50	2 - 3
1.75	3 - 4
2.00 - 2.25	4 - 5

All nozzles should be 45° W

Fuel Control System:

The machine utilizes a fuel solenoid valve located on the fuel pump to control the flow of fuel to the combustion chamber. This solenoid, which is normally closed, is activated by a flow switch when water is flowing through it. When an operator releases the trigger on the spray gun, the flow of water through the flow switch stops, turning off the current to the fuel solenoid. The solenoid then closes, shutting off the supply of fuel to the combustion chamber. Controlling

the flow of fuel in this way gives an instantaneous burn or no burn situation, thereby eliminating high and low water temperatures, and combustion smoke normally associated with machines incorporating a spray gun. Periodic inspection is recommended to insure that the fuel solenoid valve functions properly. This can be done by operating the machine and checking to see that when the trigger on the spray gun is in the off position, the burner is not firing.

Fuel Pressure Adjustment:

To adjust fuel pressure, turn the adjusting screw with a 5/32" allen wrench (located on the fuel pump) clockwise to increase, counterclockwise to decrease. Do not exceed 200 PSI.

FIELD REPAIR INSTRUCTIONS

Fuel Pump:

1. Remove the screws 10/32" Allen Head from the machine hood.
2. Remove louvered hood.
3. With a 9/16" wrench, loosen **(DO NOT REMOVE)** the two 3/8" x 3/4" HH NC serrated flange bolts that secure the front panel.
4. With a 2.5 mm hex head wrench (Allen Wrench), loosen the three set screws that hold the fuel pump in the blower motor housing located on Idromatic Boiler Assembly.
5. Carefully remove the fuel pump (Item #53) from the blower motor, leaving the flexible zinc fuel line connected, carefully bend the fuel line and fuel pump away from the blower motor.
6. Locate the fuel pump/fan motor coupling.
7. Inspect the coupling for damage. The inside diameter of fuel pump coupling requires flat on one side to engage fuel pump, and the outside diameter requires two male notches to engage the blower motor.
8. Perform a check to see if the fuel pump is turning freely. Use an open end 7mm wrench or small adjustable wrench on fuel pump shaft.
9. Spin the fuel pump over in both directions using the wrench for leverage. When the fuel pump is turning freely (almost to the point you could turn it by hand) it is ready to reinstall.
10. Align fuel pump coupler on pump shaft/fan motor. Slide pump into fan motor. Secure pump with the three set screws.

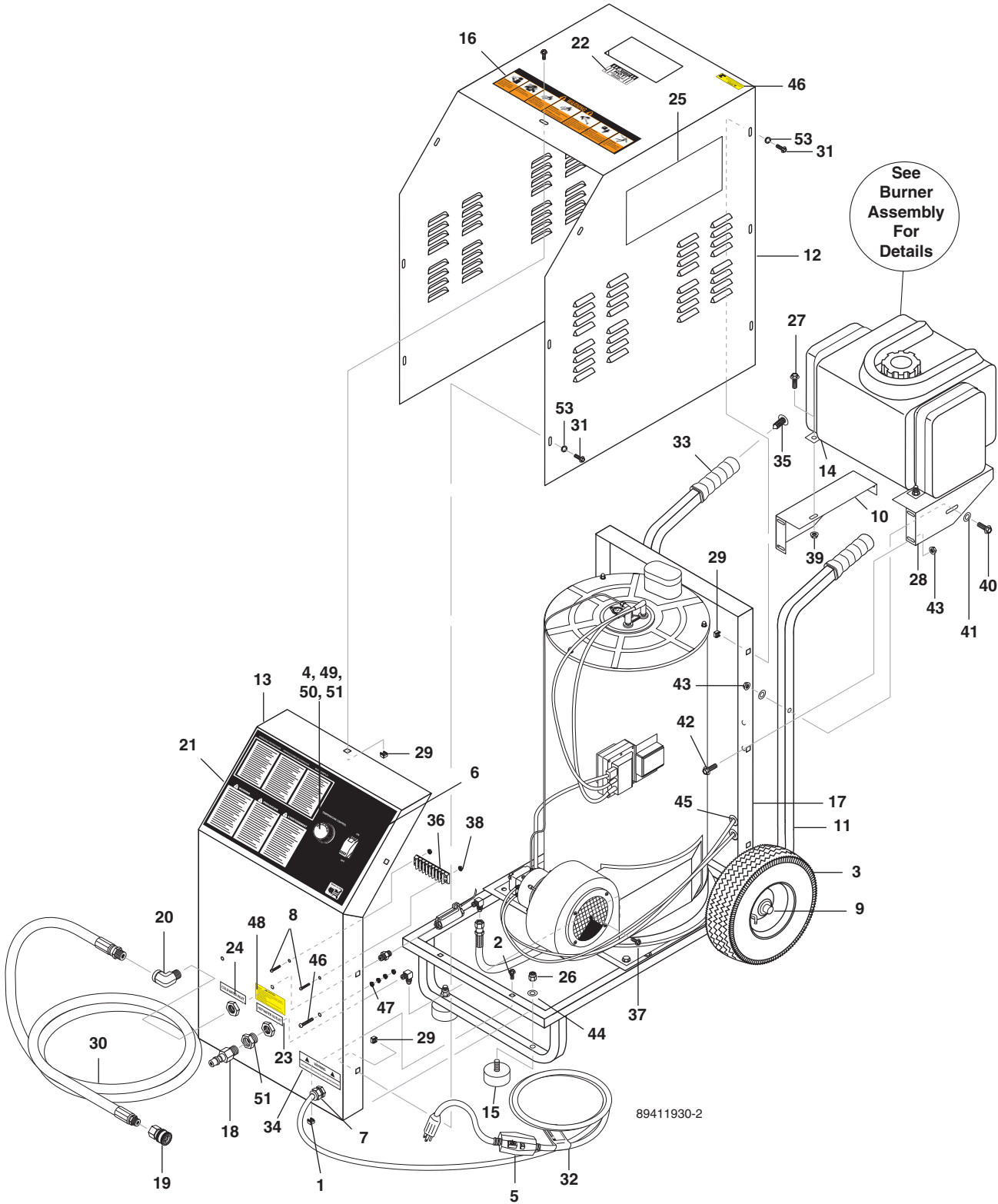
FIELD REPAIR INSTRUCTIONS

11. Test machine (make sure):

- Blower motor spins
- Fuel is on
- Machine has power to it
- Switch is on
- Flow of water through machine
- Thermostat is turned up
- Flow switch is adjusted properly

12. When unit is operating properly, turn machine off, tighten front panel, and install hood and 13 self tapping screws with recess washers.

EXPLODED VIEW



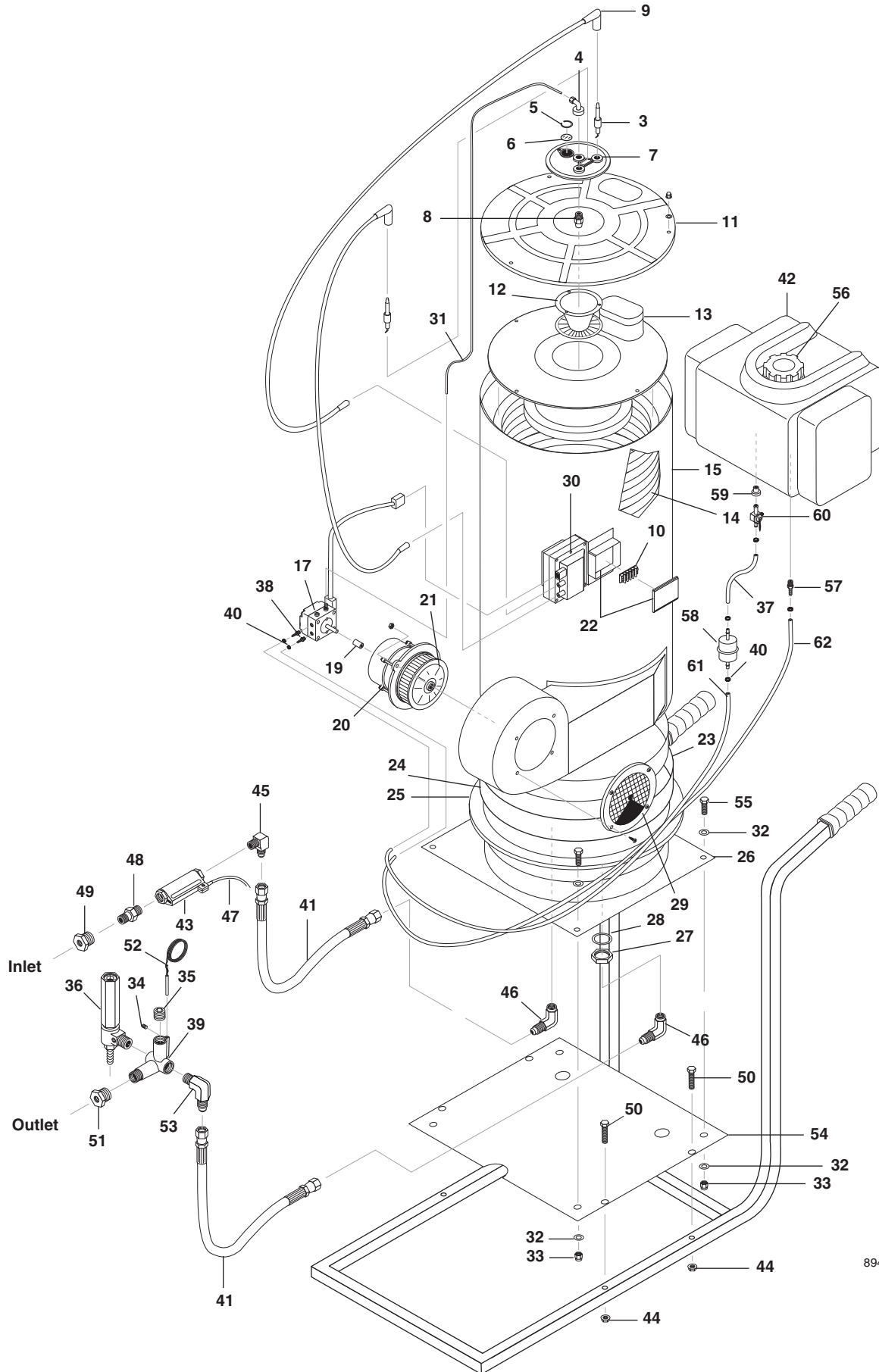
EXPLODED VIEW PARTS LIST

ITEM	PART NO.	DESCRIPTION	QTY
1	9.802-792.0	Nut, Cage, 3/8" x 12 Gauge	4
2	9.802-767.0	Screw, 3/8" x 3/4" Whiz Loc	4
3	8.754-186.0	QH Wheel Assy, 10" Gray Steel Rim wTUB	2
4	8.750-095.0	Thermostat, Adjustable, 240°F	1
5	9.802-432.0	GFCI, 120V 15A, w/36' 12-3 Cord	1
6	9.802-451.0	Switch, Rocker, Carling w/Green Lens	1
7	9.802-518.0	Strain Relief, 3/4" NPT	1
8	9.802-749.0	Screw, 8/32" x 3/4" BHSOC	2
9	9.802-782.0	Collar, 5/8" Bore Shaft 3010	2
	9.803-068.0	▲ Axle	1
	90-4005	▲ Washer, 5/8"	2
10	8.912-836.0	Bracket, Fuel Tank, Right	1
11	8.912-837.0	Frame Assy	1
12	8.912-915.0	Hood, Cover	1
13	8.912-833.0	Panel, Front	1
	9.800-040.0	▲ Label, Ground	1
14	9.803-080.0	Strap, Fuel Tank	2
15	9.802-058.0	Bumber, Rubber 1" w/Bolt, 5/16" x 1-1/4"	2
16	9.800-035.0	Label, Warning, Pictorial	1
17	8.912-832.0	Panel, Back	1
18	9.802-171.0	Nipple, 3/8" x 3/8" NPT ST Male	1
19	9.802-166.0	Coupler, 3/8" Female, Brass	1
20	8.706-207.0	Elbow, 3/8" Street	1
21	9.800-058.0	Label, Control Panel	1
22	9.800-006.0	Label, Hot/Caliente, w/Arrows	1
23	9.800-021.0	Decal, Discharge	1
24	9.800-020.0	Decal, Inlet	1
25	8.900-875.0	Label (HR)	2

ITEM	PART NO.	DESCRIPTION	QTY
26	9.802-787.0	Nut, 5/16", Eng	2
27	90-19710	Screw, 1/4" x 3/4" HH, NC	4
28	8.912-834.0	Bracket, Fuel Tank, Left	1
29	9.802-791.0	Nut, Cage, 10/32" x 16 Gauge	13
30	8.918-420.0	Hose, 3/8" x 9', 2 Wire, 3/8" SW x 3/8" SOL	1
31	9.802-764.0	Screw, 10/32" x 1/2"	13
32	8.932-969.0	Label, Warning, Service Cord	1
33	9.802-070.0	Grip, 1" Square Handle	2
34	9.800-016.0	Label, Disconnect Pwr Supply	1
35	9.802-107.0	Fastener, Ratchet, Black	2
36	9.802-492.0	Block, Terminal, 8 Pole	1
	9.802-494.0	▲ Bar Jumper	2
37	9.802-704.0	Screw, 1/4" 1/2" Hex, Black	1
38	9.802-785.0	Nut, 8/32", Keps	2
39	9.802-775.0	Nut, 1/4" Flange	4
40	9.802-703.0	Bolt, 1/4" x 1-1/2"	2
41	9.802-802.0	Washer, 1/4" Flat	2
42	9.802-754.0	Screw, 1/4" x 1/2" HH, NC	4
43	9.802-775.0	Nut, 1/4" Flange	6
44	9.802-817.0	Washer, 3/8" x 1" Steel	2
45	9.802-064.0	Grommet, Rubber, Nozzle Holder	2
46	9.800-018.0	Label, Tipover Hazard	1
47	9.802-695.0	Nut, 10/32" Keps	4
48	9.800-049.0	Label, Cleaning Solution	1
49	8.750-097.0	Knob, Thermostat 240F	1
50	8.712-190.0	Bezel, Thermostat	1
51	8.718-779.0	Screw, 4mm x 6mm	2
52	8.706-294.0	Bushing, 1/2" x 3/8" Steel	1
53	8.719-012.0	Washer, 10/32 Star	13

▲ Not Shown

BURNER ASSEMBLY EXPLODED VIEW



89411930-1

BURNER ASSEMBLY PARTS LIST

ITEM	PART NO.	DESCRIPTION	QTY
1	9.802-831.0	Coil, Lavorwash	1
2	7-46140112	Clamp, Electrode	1
3	8.717-935.0	Electrode	2
4	8.717-872.0	Elbow	1
5	8.717-869.0	Ring, Locking	1
6	8.717-932.0	Slide	1
7	8.717-929.0	Flange, Burner	1
8	8.717-288.0	Nozzle, Burner 1.75, 60°	1
9	8.717-970.0	Cable, High Tension	2
10	8.717-891.0	Board, Terminal	1
11	8.717-974.0	Cover, Tank External, SS	1
12	8.717-969.0	Deflector	1
13	8.717-973.0	Cover, Burner	1
14	8.717-928.0	Coil, High 500	1
15	8.717-972.0	Heater Body	1
16	8.717-871.0	Connector, 1/8 m	1
17	8.717-896.0	Pump, Fuel	1
18	8.717-893.0	Coil, Solenoid	1
19	8.717-868.0	Coupling, Plastic	1
20	8.717-889.0	Motor, 110V 60 Cycle	1
21	8.717-870.0	Fan	1
22	8.717-892.0	Box, Electric 70 x 70 x 30	1
23	8.717-934.0	Refractory	1
24	8.717-931.0	Strip, Coil Fixing	1
25	8.717-933.0	Rope, Insulating	1
26	8.717-971.0	Base, Heater	1
27	8.717-930.0	Nut, Coil Fixing	2
28	8.717-864.0	Washer, 22x39	2
29	8.717-968.0	Guard, Fan	1
30	8.717-890.0	Transformer, 110V 60 Cycle	1
31	8.717-936.0	Tube, Copper	1
32	8.718-980.0	Washer, 5/16" Flat	8

ITEM	PART NO.	DESCRIPTION	QTY
33	9.802-776.0	Nut, 5/16" ESNA	4
34	9.196-012.0	Screw, 10-24 x 1/4" Hex Set	1
35	8.706-248.0	Plug, 3/8" Allen Counter Sunk	1
36	8.902-433.0	Valve, Safety Relief VSA	1
37	9.802-254.0	Fuel Line, 1/4" Push-on, Black	6"
38	9.803-420.0	Hose Barb	2
39	9.149-003.0	Manifold Coil Outlet Discharge	1
40	6.390-126.0	Clamp, Hose, UNI, .46-.54	6
41	8.918-421.0	Hose, 3/8" x 14", 2 Wire, Pressure Loop	2
42	9.802-079.0	Tank, Encore, 5 Gallon Fuel	1
43	8.933-006.0	Switch, Flow, MV60	1
44	9.802-781.0	Nut, 3/8" Whiz Loc	4
45	9.802-039.0	Elbow, 1/2" JIC x 3/8", 90°	1
46	9.802-043.0	Elbow, 1/2" JIC x 1/2" Fem, 90°	2
47	8.724-844.0	Reed, Replacement, MV60	1
48	8.705-974.0	Nipple, 3/8" x 3/8" Hex, Steel	1
49	8.706-998.0	Connector, 3/8" Anchor	2
50	9.802-769.0	Screw, 3/8" x 1-3/4" HH, NC	4
51	8.707-000.0	Connector, 1/2" Anchor	1
52	9.802-285.0	Thermostat, Adjustable, 302°F	1
53	9.802-039.0	Elbow, 1/2" JIC, 3/8", 90°	1
54	9.803-033.0	Coil, Mount Plate	1
55	8.718-618.0	Bolt, 5/16" x 3/4"	4
56	9.802-089.0	Cap, Fuel Tank, 5 Gallon Fuel	1
57	8.706-940.0	Hose Barb, 1/4" Barb x 1/8" Pipe	1
58	8.709-152.0	Filter, Fuel, Disposable	1
59	2-010061	Grommet, Fuel Tank	1
60	9.802-690.0	Valve, Fuel Tank Shut-Off	1
61	9.802-254.0	Fuel Line, 1/4" Push-On, Black	36"
62	4-02100000	Fuel Line, 1/4" Push-on	46"
63	9.800-002.0	Label, Diesel fuel	1

▲ Not Shown



SPRAYMART LIMITED MINIMUM 90 DAY WARRANTY

We warrant the original consumer that each new part and accessory sold by Spraymart will be free from manufacturing defects in material or workmanship in normal service for the duration specified by the original component manufacturer with a 90 day minimum from date of purchase, provided it is installed properly and maintained in accordance with the manufacturers' instructions and manuals.

EXCLUSIONS: This warranty does not apply to defects caused by casualty or unreasonable use, including faulty repairs by others and failure to provide reasonable and necessary maintenance.

WARRANTY PROVIDED BY OTHER MANUFACTURERS:

Motors, generators, and engines, which are warranted by their respective manufacturers, are serviced through these manufacturers' local authorized service centers. Spraymart is not authorized and has no responsibility to provide warranty service for such components.

PUMPS: Legacy, General, Comet, A/R, Cat pump Limited Warranty, offer a "one and five" limited warranty on ceramic plunger type pumps, from date of purchase, for parts only (No Labor). The manifold and oil end of the pump parts only (No Labor) is warranted for 5 years on Legacy, and General (Interpump), 2 years on A/R and Cat pump and 1 year Comet from date of purchase against manufacturer defects. The water end of the pump parts (No Labor), plungers, valves, packings and "o"rings are warranted for 90 days from date of purchase against manufacturer defects, this does not include normal wear from usage. **NOTE** - Over Heated or Run Dry Pumps void all warranties.

BURNERS AND COILS: One Year Limited Warranty for manufacturing defects on, parts only (No Labor) for Becket or Wayne Burners and coils supplied on Spraymart Machines. This Limited Warranty includes, but not limited to, all burner electronics and mechanical parts, blower motor, flow switches, pressure switches, pop off valves, thermostats, fuel nozzles, fuel pumps, blowers, transformers, igniters, control box and switches and heater coils. **NOTE** - Allowing any water flow portion of the machine to freeze Voids all Warranties.

ACCESSORY PARTS: Three month Limited Warranty for manufacture defects on, parts only (No Labor) including, but not limited to; unloader valve, thermal relief valve, reels, swivels, easy start valve, chemical injector, rotating nozzles, spray tips, spray guns, wand extensions, telescoping wands, ball valves, sand injectors, quick couplers, high pressure hose, sewer hose, foot pedals, tanks, filters, jumper hose, ground fault interrupter, vacuum switches, all electrical switches, flat surface cleaners, sandblast kits, clothing, tools, tubing, clamps and roller and diaphragm pumps.

One year Limited Warranty for manufacture defects on, parts only (No Labor) including but not limited to: machine carts, machine frames, wheels, coil skins, fuel tanks.

LIMITATION OF LIABILITY

All Spraymart warranties are not transferable. Spraymart's liability for special, incidental, or consequential damages is expressly disclaimed. In no event shall any liability exceed the purchase price of the product(s) in question. Our obligation under this warranty is expressly limited as to the replacement or repair, at our option, for such part or parts as inspection shall disclose to have been defective. Spraymart makes every effort to ensure that all illustrations and specifications are correct, however, these do not imply warranty that the product is merchantable or fit for a particular purpose, or that the product will actually conform to the illustrations and specifications. The warranty contained herein is in lieu of all other warranties express or implied, including any implied warranty of fitness for a particular purpose are expressly limited to the duration of this warranty. This warranty gives you specific legal rights and you may also have other rights which vary from state to state. All freight charges incurred on warranty situations are the responsibility of the customer. Specifications, warranties and pricing are subject to change without notice.

*Refund does not include shipping/handling fees. Customer is responsible for lost or misdirected packages. It is recommended that the customer insure the package for its full retail value. This warranty does not cover or include any damage which is out of our control, improper installation, alteration, negligence or abuse.

RETURNED GOODS POLICY

Damage or Loss in Transit: Immediately upon receipt of a shipment unpack and inspect it for shortage or damage. Do not accept damaged shipments until the carrier acknowledges a damage notation on your delivery receipt or freight bill. Notify the carrier and Spraymart of damage including concealed damage within 48 hours. Retain all packing materials after inspection. Damaged machines will be returned to: C-Tech Industries 4275 NW Pacific Rim Blvd. Camas, WA 98607. All parts will be returned to Spraymart.

Product Related Problems: Contact the Spraymart customer service center within 3 days. Our personnel will act to resolve the situation promptly.

Return Authorization: A return authorization (RGA) number must be obtained from our Customer Service department prior to returning any goods. Reference this number on all shipping labels. Returns must be made within 45 days of the issuance of the return authorization number. Returns made without an authorization number will be returned 'collect' to the customer. Any denied product will be held for 30 days after notification, then returned freight collect or scrapped.

Returns are subject to a minimum of a 20% restocking charge. Incurrence of this charge will depend on the particular circumstances. Special order parts are non-refundable / non-returnable. Products refused by the customer upon delivery are subject to a 25% restocking fee and all shipping charges.

Returns Which Cannot Be Authorized

- Special non-stock items, which may or may not have a Spraymart catalogue number but are not stocked by Spraymart. These items may be returned if the vendor will accept the return for full credit.
- Items not purchased from Spraymart
- Products without useful shelf life
- Sealed products or detergents which have been opened
- Products modified or mutilated from improper repairs or application of special identification labels or name plates
- Discontinued or obsolete products

RETURN OF HAZARDOUS MATERIAL

Hazardous materials must be packed, marked, labeled and shipped in accordance with transport regulations governing transport of hazardous materials. Opened or leaking, or damaged containers cannot be returned.

SPRAYMART PRESSURE WASHERS • Springdale, AR 72764 • (479) 756-5874

