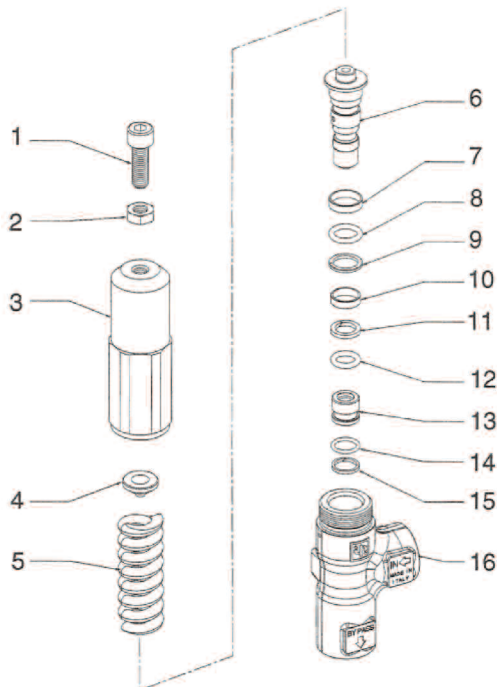




SPECIFICATIONS

Part Number	ZKSX1	
Maximum Pressure	3600 PSI	
Maximum Flow	16.0 GPM	
Temperature	185 °F	
Port Sizes:	Inlet	1/2" BSPP-M
	Bypass	1/2" BSPP-M
Dimensions	7.3" x 1.5"	
Shipping Weight	2.3 lbs	
Materials:	Fluid Section	316L Stainless, Buna-N, Plastic
	Upper Spring Body	Brass, Nickel-Plated Brass

PARTS LIST



Item	Part Number	Description	Qty
1	99307000	Screw, M8 x 25	1
2	92222000	Nut, M8 x 13 X 5	1
3	36003670	Body, Spring	1
4	36316970	Spring Plate	1
5	94746600	Spring, Ø 17 x 60	1
6	36004102	Piston-Ball Assembly	1
7*	36004072	Bushing, Guide Ø 15 x 17 x 4	1
8*	90382700	O-ring, 11.91 x 2.62	1
9*	90507100	Anti-extrusion Ring	1
10*	36003972	Bushing, Guide Ø 13 x 15 x 4	1
11*	90506500	Anti-extrusion Ring	1
12*	90382300	O-ring, Ø 9.92 . 2.62	1
13*	36003866	Valve Seat	1
14*	90358700	O-ring, Ø 11.11 x 1.78	1
15*	90506600	Back-up Ring	1
16	36003536	Body, Valve	1
*	100168	Kit, Repair	

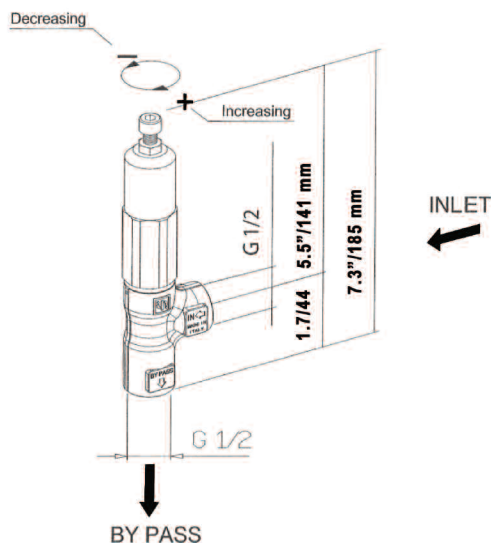
ZKSX1

Regulating Valve

GENERAL PUMP

A member of the Interpump Group

DIMENSIONS



INSTRUCTIONS

**In order to obtain a correct pressure adjustment, strictly follow the instructions below.
The #'s listed refer to those shown in the parts list.**

1. Loosen the nut (#2).
2. Unscrew the regulating screw (#1), in order to begin the adjustment starting from the minimum pressure.
3. Start the system making sure that opening/closing devices (gun, solenoid valve, etc.) are open.
4. After checking that the system is fully loaded, gradually tighten the screw (#1) until you reach the desired pressure. In order to stabilize the components (seals, springs, etc.) open and close the controls a few times, check the pressure again and correct it if needed.
5. Tighten the nut (#2).
6. Apply a drop of paint between the nut (#2) and the screw (#1) in order to be able to check for any tampering of the adjustment.

SAFETY AND OPERATING INSTRUCTIONS

1. Installation must be done in compliance with the local regulations in the country where the pressure regulator is installed and used.
2. Use clean water only; in the case of water containing solid particle of a size exceeding 15µm, the internal components of pressure regulator will be subject to quick wear. Furthermore, this might cause situations of danger. Should it be necessary to add detergents to the water, use only natural, non-aggressive, biodegradable products.
3. Installation and pressure adjustment must be made by qualified and authorized staff only, who must be informed of the operating and safety instructions contained in this document.
4. Never exceed the maximum values of pressure and flow rates stated by the manufacturer.
5. The maximum water temperature must not exceed 185⁰ F.
6. Should the pressure regulator be placed in areas at low temperatures, take steps in order to prevent the formation of ice inside the regulator itself. Ice damages the pressure regulator and affects its functioning, causing possible danger.
7. If, during operation, the flow rate at the by-pass is close to zero, this could cause faults and result in danger; long operation with flow in by-pass which exceeds by 20% the nominal flow rate (16 GPM), can cause premature wear to the regulator.
8. In the event that the pressure regulator is installed in a system for hot water generation, it must be placed before the boiler, at such a distance to prevent backflow of steam or very hot water from reaching it.
9. This type of regulator cannot replace the safety valve by any means. If requested by the applicable Regulations, a safety valve must be added to the system.
10. The bypass flow must be dumped at atmospheric pressure using a short hose or pipe, of the same size as the bypass port of the regulator and without obstructions; counterpressures in the by-pass tube could cause failure of the regulator.
11. After working and before performing any operation on the system, release any residual pressure.
12. Maintenance and repair must be carried out by qualified and authorized staff only. Use original spare parts only.
13. In case of disposal, do not discard the material into the environment; instead, take it to an authorized disposal center.