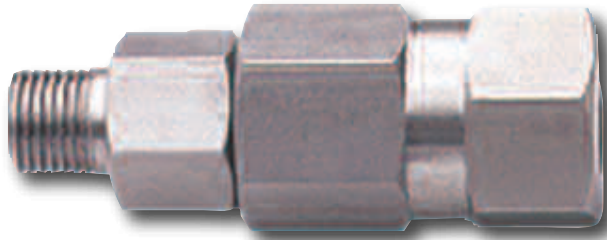


Swivel Coupling

Stainless Steel

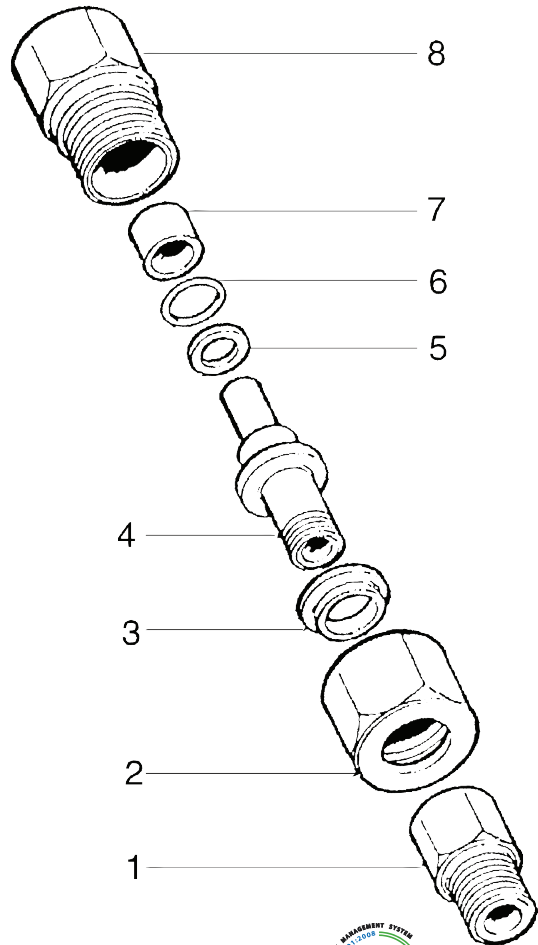



SPECIFICATIONS

Part Number	YSW14MFSS
Flow Rate	10.5 GPM
Maximum Pressure	5,650 PSI
Maximum Temperature	320°F
Inlet Size	1/4 BSP-M
Dimensions	1.0" x 1.8"
Weight	.4 LBS
Materials	Stainless Steel, Buna-N, Teflon

PARTS LIST

No.	Part Number	Description	Qty.
1.	Y26106651	Fitting, Rear, 1/4-18 NPT-M, SS	1
2.	Y26104251	Cap	1
3.	Y26104585	Bearing, Outlet	1
4.	Y26104151	Body	1
5.	Y10401001	Ring, Back-up, .402" x .547"	1
6.	Y10310995	O-ring, .355" x .094"	1
7.	Y26104685	Bearing, Inlet	1
8.	Y26106551	Fitting, Front, SS 1/4-NPT-F	1



 General Pump is a member of the Interpump Group



300451 Rev. C
06-16

