

FEATURES

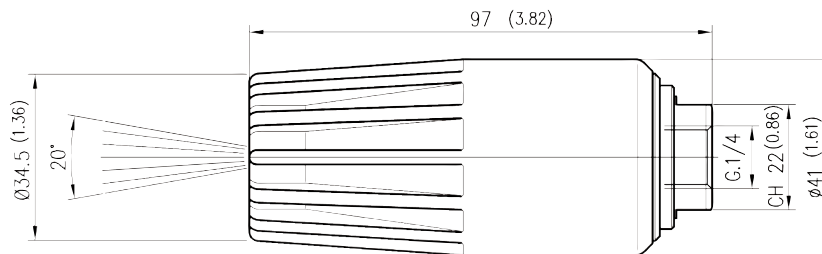
- Strong brass structure
- Highly shock resistant ceramic seat and nozzle
- Oversized bearings for long life
- Can be used in any position



SPECIFICATIONS

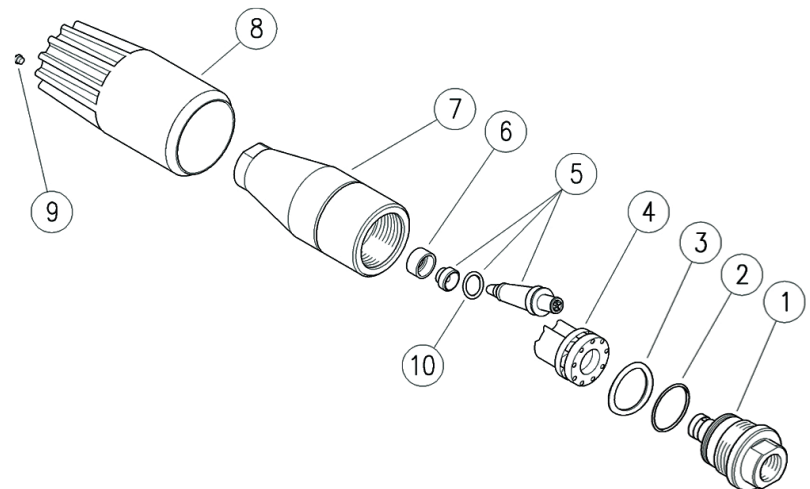
| Part Number | YR23K40 | YR23K45 | YR23K50 | YR23K55 | YR23K60 | YR23K65 | YR23K70 |
|---------------------|--------------------|---------|---------|---------|---------|------------|---------|
| Size | 4.0 | 4.5 | 5.0 | 5.5 | 6.0 | 6.5 | 7.0 |
| Color Code | Yellow | Blue | Purple | Red | Green | Light Blue | Orange |
| Minimum Pressure | 435 PSI | | | | | | |
| Maximum Pressure | 2300 PSI | | | | | | |
| Maximum Temperature | 212 ⁰ F | | | | | | |
| Inlet | 1/4" BSP-F | | | | | | |
| Weight | 0.9 lbs | | | | | | |

DIMENSIONS



PARTS LIST

| Item | Part No. | Description | QTY. |
|------|----------|----------------------------------|------|
| 1 | 25166331 | Coupling, 1/4" BSP-F, YR23K40 | 1 |
| 1 | 25163431 | Coupling, 1/4" BSP-F, YR23K45 | 1 |
| 1 | 25163431 | Coupling, 1/4" BSP-F, YR23K50 | 1 |
| 1 | 25163531 | Coupling, 1/4" BSP-F, YR23K55 | 1 |
| 1 | 25163531 | Coupling, 1/4" BSP-F, YR23K60 | 1 |
| 1 | 25164531 | Coupling, 1/4" BSP-F, YR23K65 | 1 |
| 1 | 25163631 | Coupling, 1/4" BSP-F, YR23K70 | 1 |
| 2 | 10307201 | O-ring, 1.78 x 20.35, Ni 85 | 1 |
| 3 | 25162663 | Washer, 14.8 x 23 x 0.1 mm, Sst. | 1 |
| 4 | 25163122 | Turbine | 1 |
| 5 | 25163724 | Spares Kit, YR23K40 | 1 |
| 5 | 25163724 | Spares Kit, YR23K45 | 1 |
| 5 | 25163824 | Spares Kit, YR23K50 | 1 |
| 5 | 25166824 | Spares Kit, YR23K55 | 1 |
| 5 | 25163924 | Spares Kit, YR23K60 | 1 |
| 5 | 25164024 | Spares Kit, YR23K65 | 1 |
| 5 | 25164124 | Spares Kit, YR23K70 | 1 |
| 6 | 25162485 | Seal, 7.2 x 12 x 6 | 1 |
| 7 | 25162231 | Housing | 1 |
| 8 | 25168185 | Knob, yellow | 1 |
| 9 | 15200040 | Stud, dark yellow | 1 |
| 10 | 10323000 | O-ring, 3.53 x 7.52 | 2 |



General Pump
is a member of
the Interpump Group

Ref 300643 Rev. B
06-09