

PRESSURE SWITCH

May be wired normally open or normally closed.



SPECIFICATIONS

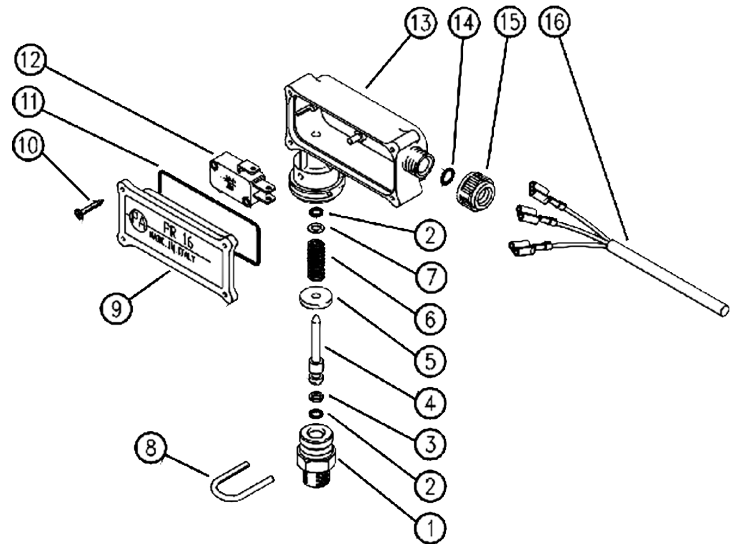
Part Number	YPRESSWITCH
Maximum Pressure	3,550 PSI
Activation Pressure	580 PSI
Maximum Temperature	195°F
Maximum Voltage	250 Volts
Maximum Amps Resistive Load*	15 Amps
Connection	1/4 in. NPT-M
Dimensions	3.3 x 3.6 x 1.3 in. with 45 in. cord
Weight	.66 lb.
Material	Stainless Steel, Brass, Buna-N, Plastic

*Not rated for inductive loads. May not be used for starting motors; will not handle start-up current.

PARTS LIST

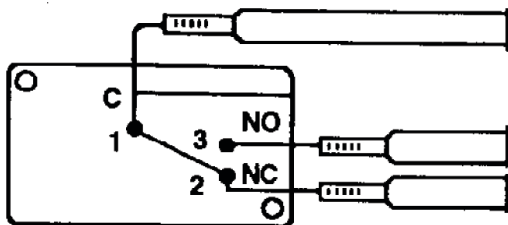
YPRESSWITCH Y29001051 PRESSURE SWITCH

No.	Part Number	Description	Kit	Qty.
1.	Y29004651	Nipple, 1/4 NPT, SST		1
2.	Y10303800	O-ring, 1.78 x 3.68	*	2
3.	Y10400200	Back ring, 4.2 x 7	*	1
4.	Y29004331	Brass Piston		1
5.	Y29008631	Washer, 4 x 16		1
6.	Y29008461	Spring		1
7.	Y14351900	Washer, 4 x 8		1
8.	Y29008751	Clip, SST		1
9.	Y29004284	Cover		1
10.	Y16302000	Screw, 2.5 x 12		4
11.	Y10321042	O-ring, 2.62 x 42.52	*	1
12.	Y12500100	Microswitch, 16A-250V		1
13.	Y29004184	Plastic Box		1
14.	Y10310992	O-ring, 2.4 x 7.3	*	1
15.	Y29008284	Nut		1
16.	Y12500000	Cable		1



* Y29003624 REPAIR KIT

SWITCH SCHEMATIC



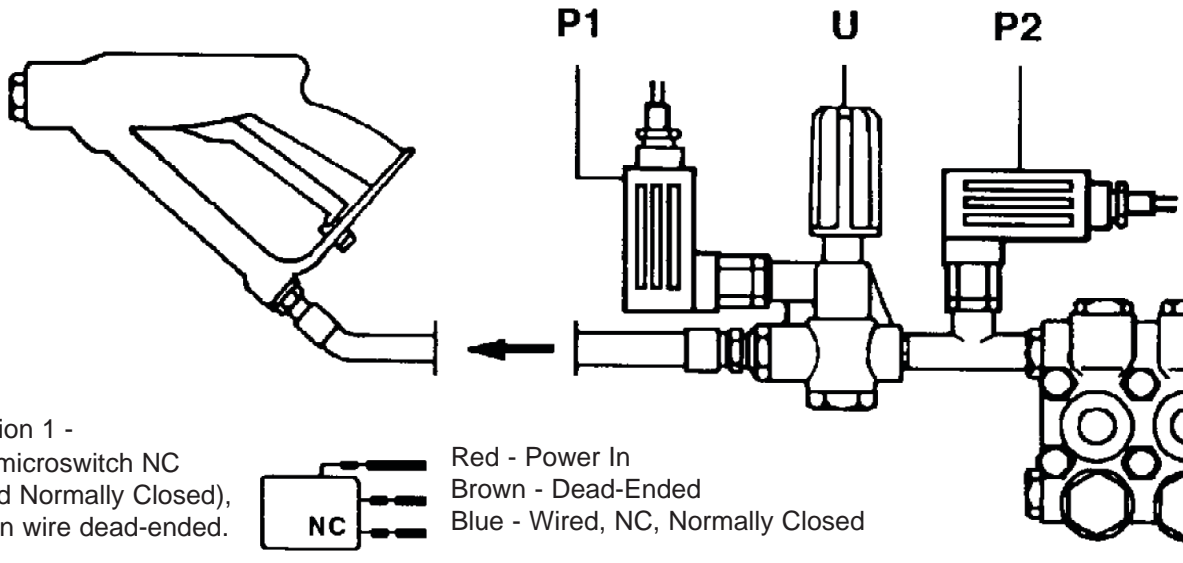
Red - Power In

Brown - Switch Normally Open

Blue - Switch Normally Closed

Microswitch - Supplied with threads for an open or closed pressure switch. Choose which way switch is to be used and dead end the lead that is not in use. Above switch is wired normally closed with the brown wire to be dead-ended.

ASSEMBLY SCHEMATIC

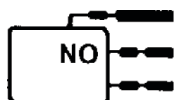


P1 Position 1 -
with microswitch NC
(wired Normally Closed),
Brown wire dead-ended.



Red - Power In
Brown - Dead-Ended
Blue - Wired, NC, Normally Closed

P2 Position 2 -
with microswitch NO
(wired Normally Open),
Blue wire dead-ended.



Red - Power In
Brown - Wired NO, Normally Open
Blue - Dead-Ended

U Trapped Pressure Unloader

!!! WARNING !!!

**THIS PRODUCT MUST BE INSTALLED BY
A QUALIFIED ELECTRICIAN TO AVOID
RISK OF SHOCK OR ELECTROCUTION.**

Ref 300404 Rev. B
8/06