

**GENERAL PUMP** *A member of the Interpump Group*

# YLS Foamers

*Foamer with Built-In Injector*

**FEATURES**

- Comfortable Impact Resistant Housing
- Forged Brass Body with Stainless Steel Diffuser
- Adjustable Injector
- Available With or Without Tank (YLS12/YLS12T)

**YLS12**



**YLS12T w/Tank**



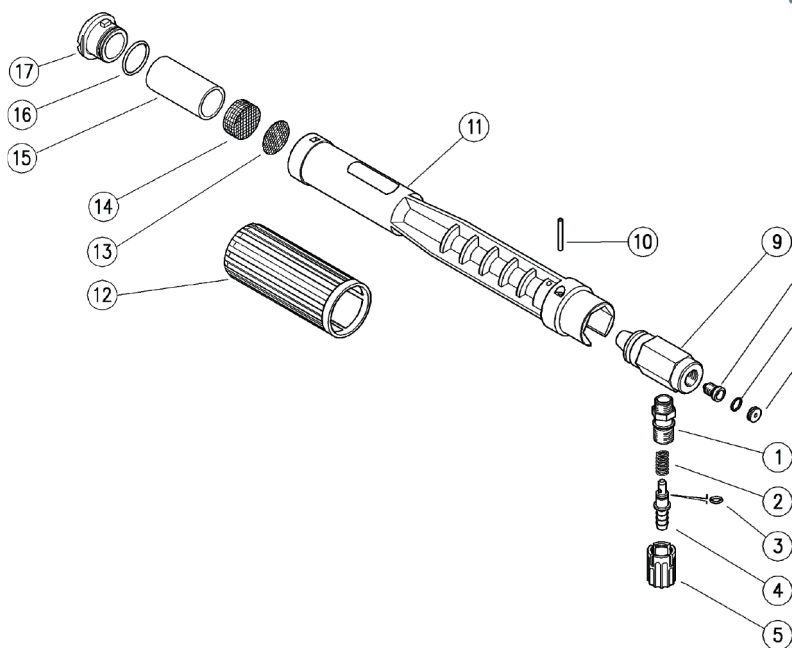
**YLS31T**

**SPECIFICATIONS**

Part Number	YLS12	YLS12T	YLS31T
Maximum Volume	6.5 GPM		5.3 GPM
Maximum Discharge Pressure	3200 PSI		2600 PSI
Maximum Fluid Temperature	140 °F		
Inlet Port Thread	G 1/4-F		1/4"
Tank Capacity	n/a	1 Liter	
Injector Size	n/a	1.5 mm	1.25 mm
Weight	.8 lbs	1.25 lbs	1.2 lbs
Dimensions	12"x1.6"x3"	12.5"x3.5"x10.5"	12.9" x 3.3" x 6.7"
Materials	Stainless Steel, Brass, Viton, Plastic		

**PARTS LIST**

## YLS12



Item	Part Number	Description	Qty
1	Y21017331	Coupling, M12 x 1-1/4 BSP-M	1
2	Y21015851	Spring	1
3	Y10304301	O-ring, 1.78 x 4.48mm	1
4	Y21015531	Hose Barb	1
5	Y21017184	Injector Knob. 1/4 BSP-F	1
6	Y25008531	Nozzle Insert	1
7	Y10300300	O-ring, 1 x 8 mm	1
8	Y21000751	Nozzle, M8 x 1	1
9	Y25180331	Injector Housing	1
10	Y30050931	Parallel Pin	1
11	Y25180184	Lance Housing	1
12	Y25180584	Knob	1
13	Y29080253	Diaphragm	1
14	Y25180651	Pressed Strainer	1
15	Y25183185	Spacer	1
16	Y10307210	O-ring, 1.78 x 20.35	1
17	Y25180284	Front Nozzle	1



General Pump is a member of the Interpump Group



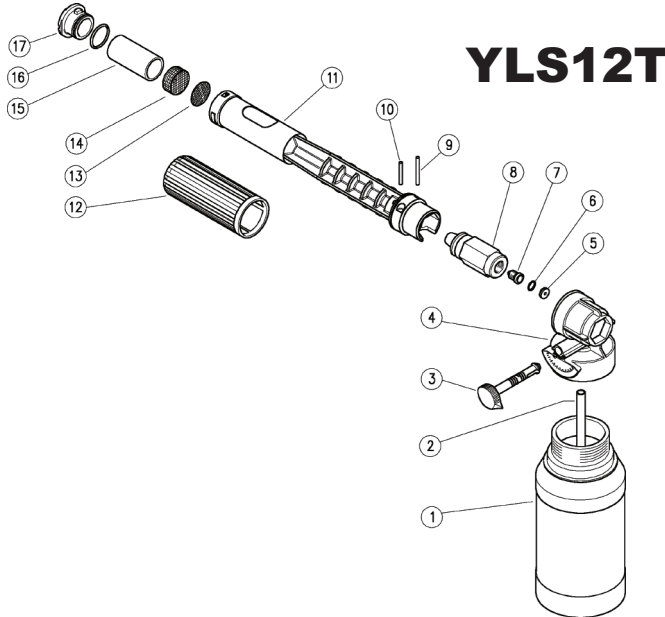


YLS12T



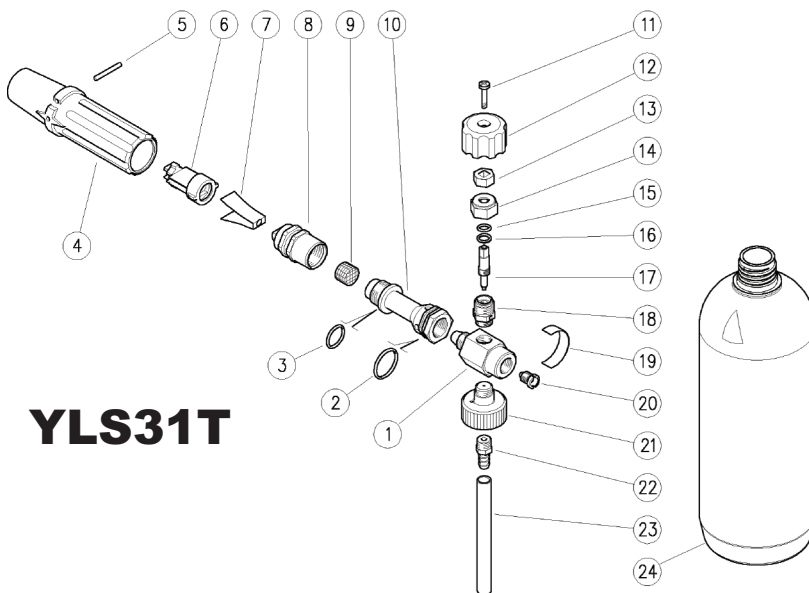
YLS31T

**PARTS LIST**



**YLS12T**

Item	Part Number	Description	Qty
1	Y14650600	Tank (YLS12T)	1
2	Y29082285	170 mm hose (YLS12T)	1
3	Y25181784	Detergent Adjusting Pin	1
4	Y25181684	Tank Holder	1
5	Y25008531	Nozzle Insert	1
6	Y10300300	O-ring 1 x 8 mm	1
7	Y21000751	Sst 1,5 mm nozzle	1
8	Y25184131	Injector Housing	1
9	Y30641631	Parallel Pin, 5 x 34 mm	1
10	Y30050931	Parallel Pin, 5 x 24.54	1
11	Y25180184	Plastic housing	1
12	Y25180584	Knob	1
13	Y29080253	Diaphragm	1
14	Y25180651	Strainer pill	1
15	Y25183185	Spacer	1
16	Y10307210	O ring 1,78 x 20,35 mm	1
17	Y25180284	Front Nozzle	1



**YLS31T**

Item	Part Number	Description	Qty
1	Y25150331	Injector Housing	1
2	Y10307250	O-ring, 1.78x21.95	1
3	Y10306600	O-ring, 1.78x15.6	1
4	Y25101884	Nozzle Knob, Black	1
5	Y15104100	Parallel Pin, 3x25, SS	1
6	Y25095284	Deflector Housing	1
7	Y25102053	Deflector, SS	1
8	Y25152231	Injector Housing	1
9	Y25151251	Pressed Strainer	1
10	Y25152131	Front Injector Housing	1
11	Y16184000	Screw, M4x14	1
12	Y29093184	Knob	1
13	Y29092431	Groove Nut, Brass	1
14	Y29093831	Ring Nut, M14x1	1
15	Y10305200	O ring 1.78 x 6.75 mm	1
16	Y29094051	Washer, 7x9.5x0.7	1
17	Y25150431	Pin	1
18	Y25150231	Piston Holder	1
19	Y15380812	Label	1
20	Y21022351	Nozzle, 1.25 mm	1
21	Y25150531	Tank Holder	1

Item	Part Number	Description	Qty
22	Y29010331	Nipple, Brass	1
23	Y16052100	Hose, 6x9, PVC	1
24	Y14650200	Tank	1

Ref 300452 Rev. E  
08-10

