

YG1635(S)

FEATURES

- Variable nozzle, trigger controlled
- Adjustable fixed spray pattern from 0° - 60°
- Rubber bumpers protect work from damage
- Durable impact resistant molded handle
- Available with built-in inlet swivel

High Volume Low Pressure Washdown Gun



SPECIFICATIONS

Model	YG1635	YG1635S
Maximum Pressure	350 PSI	
Maximum Flow	16 GPM	
Maximum Temperature	195°F	
Inlet Port	1/2" BSP-F	
Nozzle	Variable 0°-60°, Built-in	
Inlet Swivel	No	Yes
Weight	32.6 oz	36.9 oz
Dimensions	9.75" x 6.75"	
Materials	Brass, Buna-N, Plastic	

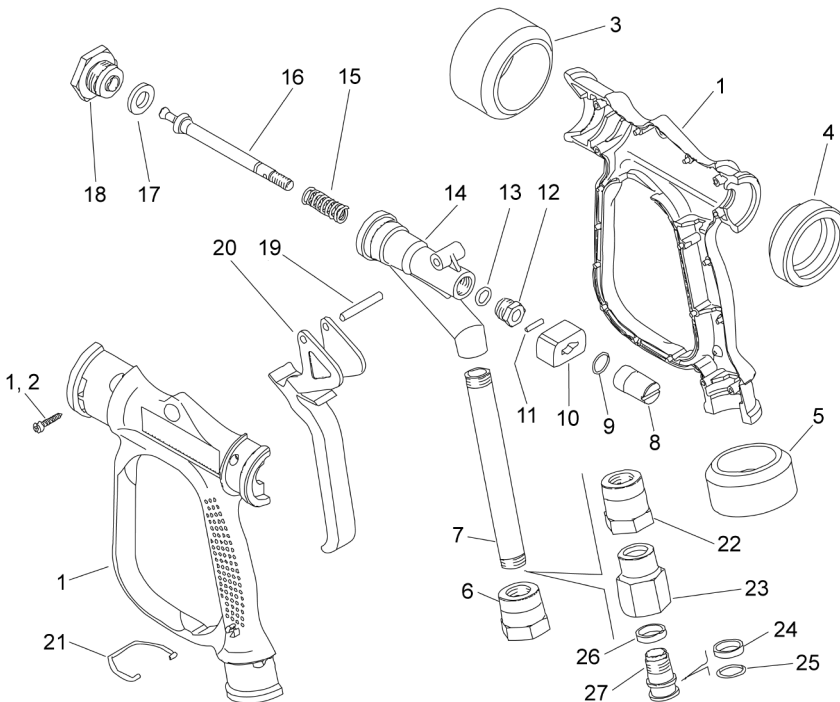
APPLICATIONS

Washdown Applications in:

- Food Processing Facilities
- Beverage and Brewing Plants
- Agriculture and Dairy
- Kitchen and Factories

Fire Suppression

PARTS LIST



Item	Part Number	Description	Qty
1	Y30642024	Pl.housing kit (YG1635)	1
2	Y16307700	3.5 x 18 mm screw	6
3	Y30641284	Front protector ring	1
4	Y30641384	Back prot.ring	1
5	Y30641484	Lower ring	1
6	Y30640731	Connection 1/2Bsp F (YG1635)	1
7	Y30640936	130 mm tube	1
8	Y30641831	M 7 screw plug	1
9	701112*	O-ring 2.62 x 12.37 mm, *, **	1
10	Y30640484	Blue slide (YG1635)	1
11	Y15102100	Pin 3 x 14 mm	1
12	Y30641731	M 14 plug	1
13	Y10317010*	O-ring 2.62 x 7.6 mm Vit., *, **	1
14	Y30640535	Brass Housing	1
15	Y30641051	Spring, **	1
16	Y30640631	Piston (YG1635), **	1
17	Y30640885*	Diaphragm, *, **	1
18	Y30640331	Brass seat (YG1635)	1
19	Y30641631	5 mm pin	1
20	Y30641184	Blue trigger (YG1635)	1
21	Y30641551	Sst clip	1
22	Y30642631	Connection M16 (YG1635S)	1
23	Y30642731	Connection 1/2Bsp F (YG1635S)	1
24	Y26107585	Open ring (YG1635S)	1
25	Y10309210	O.ring 2 x 15 mm Viton 70 (YG1635S)	1
26	Y26107485	Ring (YG1635S)	1
27	Y26107231	Pin (YG1635S)	1

* Y30642224 Seals Spares Kit
 ** Y30642324 Repair Kit



General Pump
is a member of
the Interpump Group

