

GENERAL PUMP *A member of the Interpump Group***YG1317S****High Volume Low Pressure Washdown Gun****FEATURES**

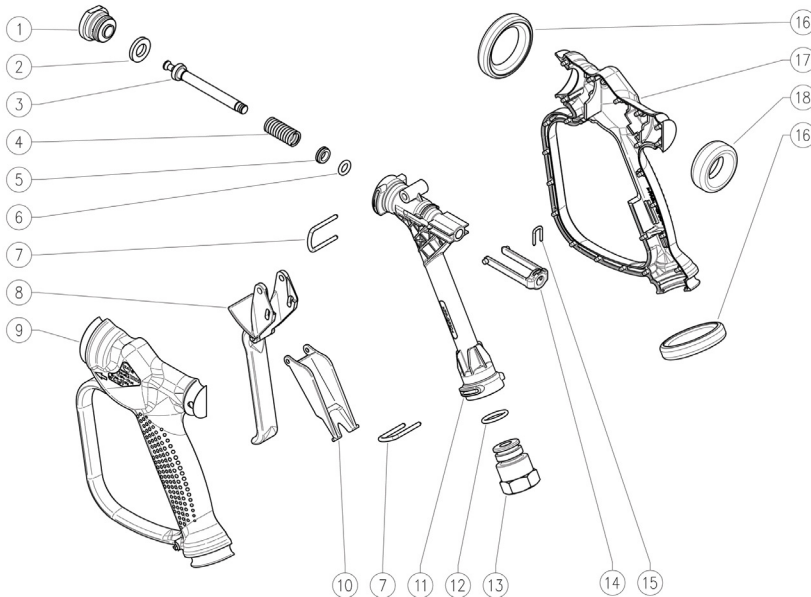
- Variable nozzle, trigger controlled
- Adjustable fixed spray pattern from 0° - 60°
- Rubber bumpers protect work from damage
- Durable impact resistant molded handle
- Built-in inlet swivel

**SPECIFICATIONS**

Model	YG1317S
Max Pressure	175 PSI
Max Flow	13.2 GPM
Max Temperature	120° F
Inlet Port	1/2" BSP-F
Nozzle	Variable 0° - 60°, Built-in
Inlet Swivel	Yes
Weight	15.5 oz
Dimensions	7.64" x 6.87"
Materials	Brass, Buna-N, Plastic

APPLICATIONS**Washdown Applications in:**

- Food Processing Facilities
- Beverage and Brewing Plants
- Agriculture and Dairy
- Kitchen and Factories
- Fire Suppression

PARTS LIST

No.	Part No.	Description	Qty.
1	Y30620584	Brass Seat	1
2	Y30640885	Front Seat, 11 x 20.5 x 3 mm	1
3	Y30621131	Piston, Brass	1
4	Y30641051	Spring, 1.8 x 12.8 x 40 mm, SST	1
5	Y30620931	Piston Ring, Brass	1
6	Y10317010	O-ring, 2.62 x 7.6 mm	1
7	Y30620651	U-bolt, SST	1
8	Y30621284	Trigger, Blue	1
9	Y30621924	Housing Kit	1
10	Y30621384	Lid	1
11	Y30620884	Housing	1
12	Y10318153	O-ring, 2.62 x 17.2	1
13	Y30621431	Coupler, 1/4 BSP-F	1
14	Y30621084	Connecting Rod	1
15	Y12005027	U-Bolt, SST	1
16	Y30620385	Front Guard Ring	2
18	Y30620485	Back Guard Ring	1



General Pump
is a member of
the Interpump Group



GENERAL PUMP 1174 Northland Drive • Mendota Heights, MN 55120
Phone: 651.686.2199 • Fax: 800.535.1745 • e-mail: sales@gpcompanies.com • www.generalpump.com

Ref 310164 Rev. A
02-19



DIMENSIONS

