

Order # _____

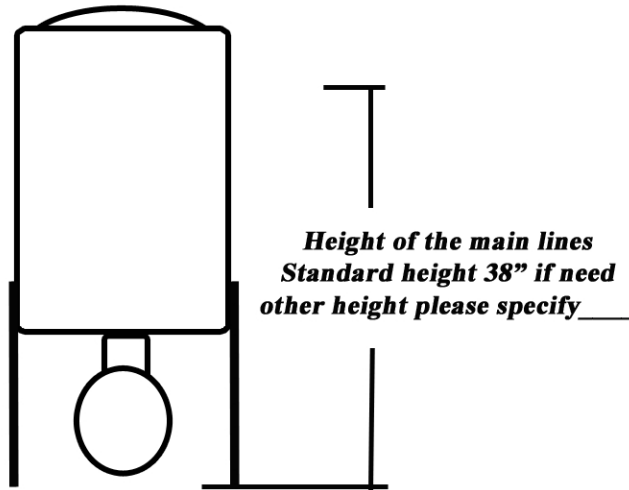
Customer # : _____

- 1- Indicate the number of holes and dimensions of the main lines FNPT
- 2- Height of the ground of the main line in the center of the holes
- 3- Indicate the position of the pump outlet
(pitless and flapper must be at the top of the tank)
- 4- Indicate the position of the drain valve
- 5 -Indicate if you want to install electrical boxes on the wall or on the releaser

Airabló



Rear view



If need to push water indicate the following data
The size of the line: _____
The length of the line: _____
The number of taps _____
or the number of GPM: _____

Top view

