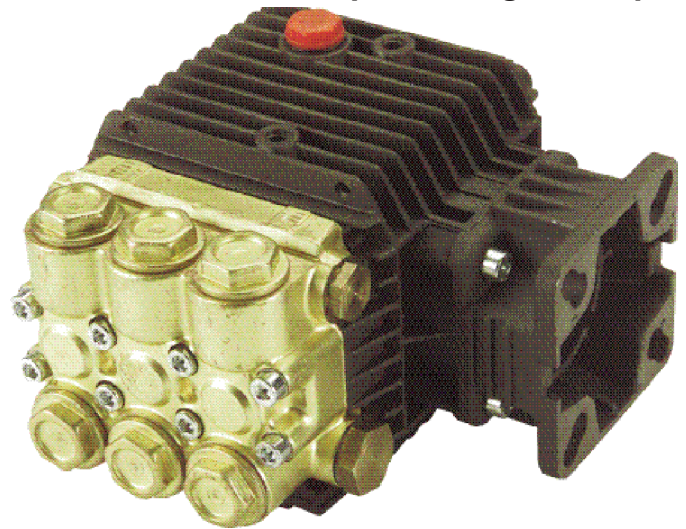


FEATURES

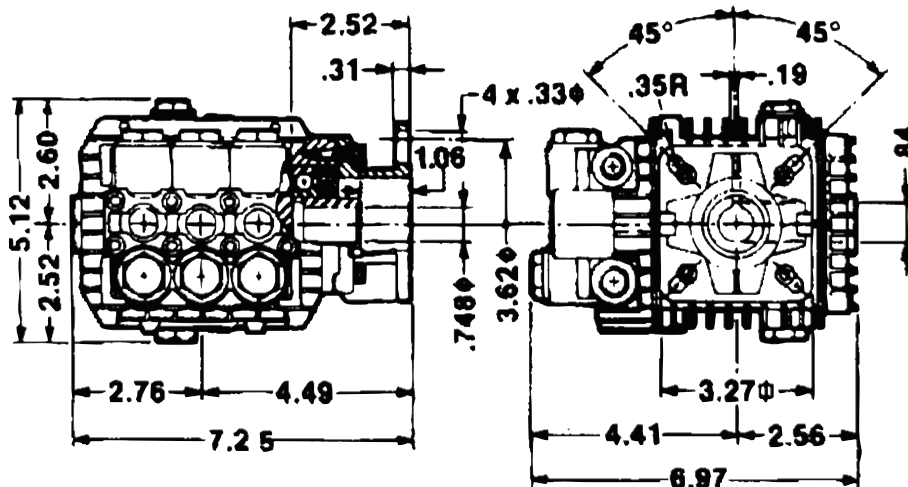
- Forged brass manifold with exclusive lifetime warranty
- Die-cast anodized aluminum, oil-bath crankcase
- Solid ceramic plungers with continuously lubricated packings
- The original Interpump unitized, stainless steel, K01 inlet and outlet valves
- Ideal for all general cleaning applications
- Comes standard with SAE J609 gasoline engine mounting flange
- Also available in "L" left-handed versions



SPECIFICATIONS

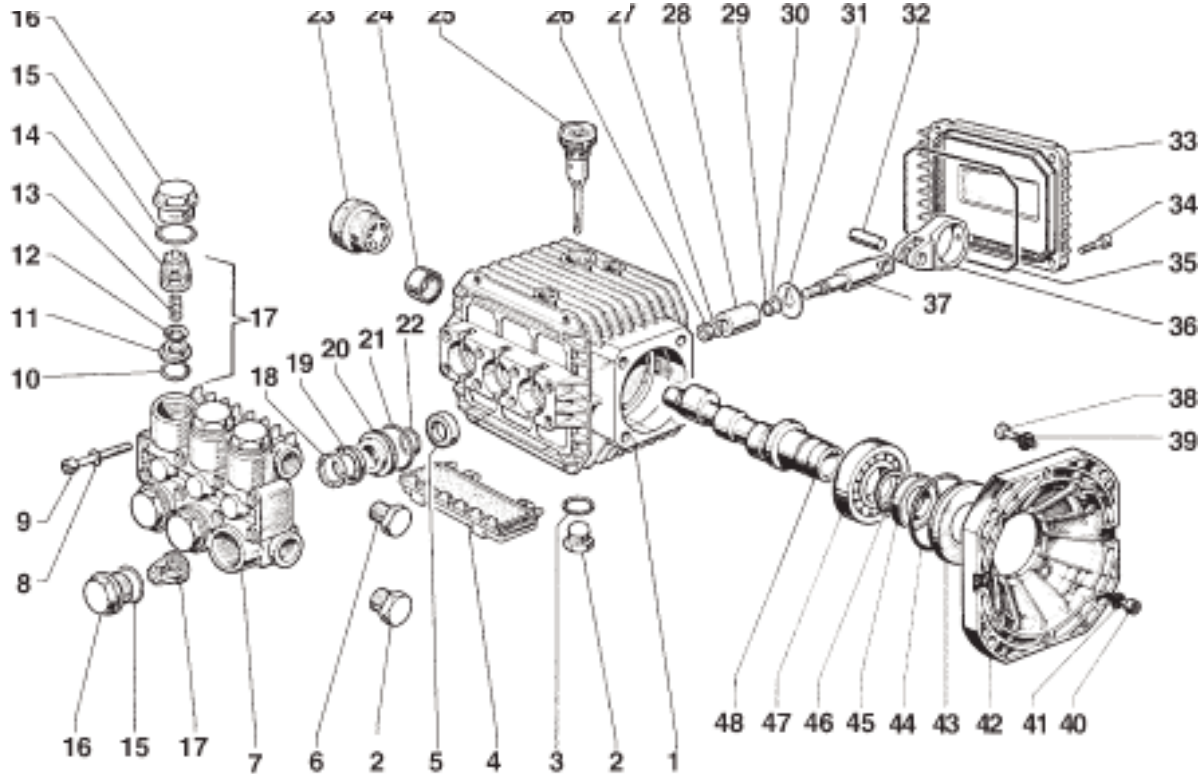
| Pump Model | TT9061GBF | TT9071GBF | TT1540GBF | TT2028GBF | TT2035GBF |
|----------------------------|--------------------------|-----------------|-----------------|-----------------|---------------|
| Maximum Volume | 2.11 GPM | 2.8 GPM | 4.0 GPM | 2.8 GPM | 3.5 GPM |
| Maximum Discharge Pressure | 1500 PSI | | | 2000 PSI | |
| Maximum Pump Speed | 3400 RPM | | | | |
| Maximum Inlet Pressure | 125 PSI | | | | |
| Maximum Inlet Vacuum | 3 ft. Water (2.6 in. Hg) | | | | |
| Bore | .591 in. / 15 mm | | | | |
| Stroke | .197 in./5mm | .260 in./6.6 mm | .370 in./9.4 mm | .260 in./6.6 mm | .315 in./8 mm |
| Crankcase Oil Capacity | 11.2 oz. | | | | |
| Maximum Fluid Temperature | 165° F | | | | |
| Inlet Port Thread | 3/8"-19 BSPP-F | | | | |
| Discharge Port Thread | 1/4"-19 BSPP-F | | | | |
| Shaft Diameter | 3/4 in. / 19 mm | | | | |
| Weight | 11.4 lbs. | | | | |
| Dimensions | 7.2" x 7.2" x 5.5" | | | | |

DIMENSIONAL DRAWING



TT Series 51, GBF

GENERAL PUMP *A member of the Interpump Group*



PARTS LIST

| ITEM | PART NO. | DESCRIPTION | KIT NO. | QTY. | ITEM | PART NO. | DESCRIPTION | KIT NO. | QTY. | ITEM | PART NO. | DESCRIPTION | KIT NO. | QTY. |
|------|----------|-----------------------|---------|------|------|----------|---------------------|------------|------|------|----------|-----------------------------|---------|------|
| 1. | 51010622 | Crankcase | | 1 | 17. | 36703201 | Valve Assembly | 1 | 6 | 35. | 90391700 | O-ring | | 1 |
| 2. | 98210000 | Plug, 3/8-BSP | | 2 | 18. | 51100051 | Head Ring | 96, 97 | 3 | 36. | 51030022 | Connecting Rod | | 3 |
| 3. | 90383300 | O-ring, .549 x .103 | | 1 | 19. | 90262000 | Packing | 96, 97 | 3 | 37. | 51050056 | Piston Guide | | 3 |
| 4. | 51209102 | Protector | | 1 | 20. | 51080070 | Packing Retainer | 86, 96 | 3 | 38. | 99273000 | Screw, 5/16 | | 4 |
| 5. | 90156500 | Oil Seal | 83 | 3 | 21. | 90360400 | O-ring, .989 x .070 | 86, 96, 97 | 3 | 39. | 96701400 | Washer, M8.4, Schnorr | | 4 |
| 6. | 98204100 | Plug | | 1 | 22. | 90383500 | O-ring, .594 x .103 | 86, 96, 97 | 3 | 40. | 99186700 | Screw, M8 x 18 | | 4 |
| 7. | 51120041 | Manifold, Brass | | 1 | 23. | 97596800 | Sight Gauge | | 1 | 41. | 96693800 | Washer, 6.4, Schnorr | | 4 |
| 8. | 51120022 | Manifold, Aluminum | | 1 | 24. | 91801500 | Needle Bearing | | 1 | 42. | 10034622 | Flange | | 1 |
| 8. | 96693800 | Washer, M6.4, Schnorr | | 12 | 25. | 98210300 | Oil Dip Stick | | 1 | 43. | 50211551 | Spacer | | 1 |
| 9. | 99194300 | Screw, M6 x 40 | | 12 | 26. | 92221600 | Nut, M8 | | 3 | 44. | 90409700 | O-ring, 2.187 x .139 | | 1 |
| 10. | 90384100 | O-ring, .674 x .103 | | 1 | 27. | 96700800 | Washer, M8 | | 3 | 45. | 90164400 | Oil Seal | | 1 |
| 11. | 36200366 | Valve Seat | | 1 | 28. | 51040009 | Plunger, 15 mm | | 3 | 46. | 90066700 | Snap Ring | | 1 |
| 12. | 36200176 | Valve Plate | | 1 | 29. | 90357200 | O-ring, .208 x .070 | | 3 | 47. | 20283521 | Bearing | | 1 |
| 13. | 94737600 | Spring | | 1 | 30. | 90502200 | Back-up Ring | | 3 | 48. | 51021035 | Crankshaft (TT9061) | | 1 |
| 14. | 36200251 | Valve Cage | | 1 | 31. | 96707000 | Washer, Flinger | | 3 | | 51021165 | Crankshaft (TT9071, TT2028) | | 1 |
| 15. | 90384700 | O-ring, .797 x .103 | | 84 | 32. | 97371000 | Connecting Rod Pin | | 3 | | 51021965 | Crankshaft (TT1540) | | 1 |
| 16. | 98221800 | Valve Cap | | 84 | 33. | 51160022 | Crankcase Cover | | 1 | | 51021835 | Crankshaft (TT2035) | | 1 |
| | | | | | 34. | 99186700 | Screw | | 4 | | | | | |

REPAIR KITS

| KIT NO. | 1 | 83 | 84 | 86 | 96 | 97 |
|--------------------------------------|--------------------------|----|--------|------------|--------------------|----------------|
| ITEM NO's INCLUDED IN KIT | 10, 11, 12, 6, 7, 8 (17) | 5 | 15, 16 | 20, 21, 22 | 18, 19, 20, 21, 22 | 18, 19, 21, 22 |
| NUMBER OF ASSEMBLIES IN KIT | 6 | 3 | 6 | 3 | 1 | 3 |
| NUMBER OF CYLINDERS KIT WILL SERVICE | 3 | 3 | 3 | 3 | 1 | 3 |

TORQUE SPECS*

| Position | Ft. Lbs. |
|----------|----------|
| 2 | 29.4 |
| 6 | 14.7 |
| 9 | 8.8 |
| 16 | 33.1 |
| 23 | 13.2 |
| 26 | 11.0 |
| 34 | 7.3 |
| 38 | 22.1 |
| 40 | 7.3 |
| 49 | 14.7 |
| 52 | 7.3 |

* Decrease torque by 20% if threads are lubricated

