

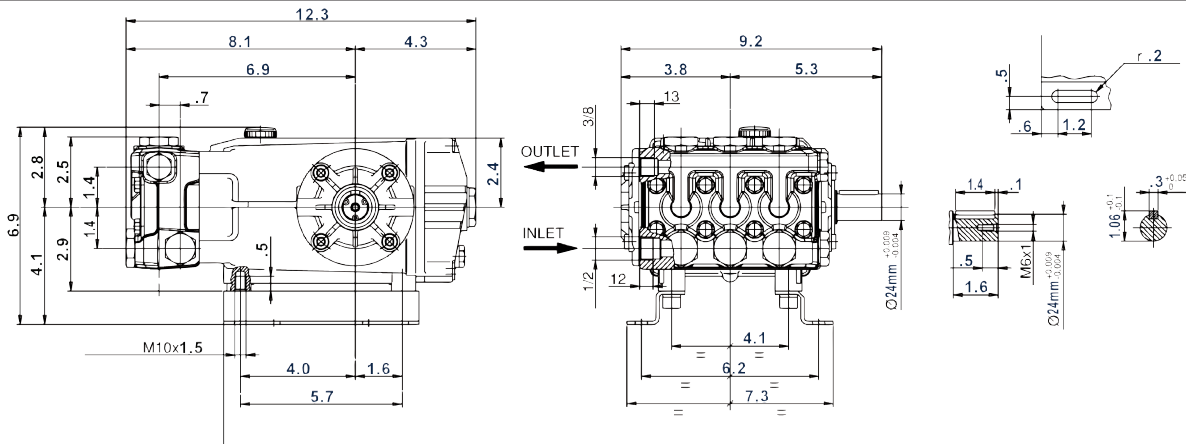
### FEATURES

- 316 Stainless Steel manifold for maximum corrosion resistance
- The preferred pump frame in the pressure cleaning industry
- Solid ceramic plungers with continuously lubricated packings
- Over-sized connecting rods for maximum life
- Features patent-pending “high tech” packings:
  - dynamic low-pressure seal retainer
  - superior low-pressure seal
  - innovative intermediate ring
  - superior high-pressure seal



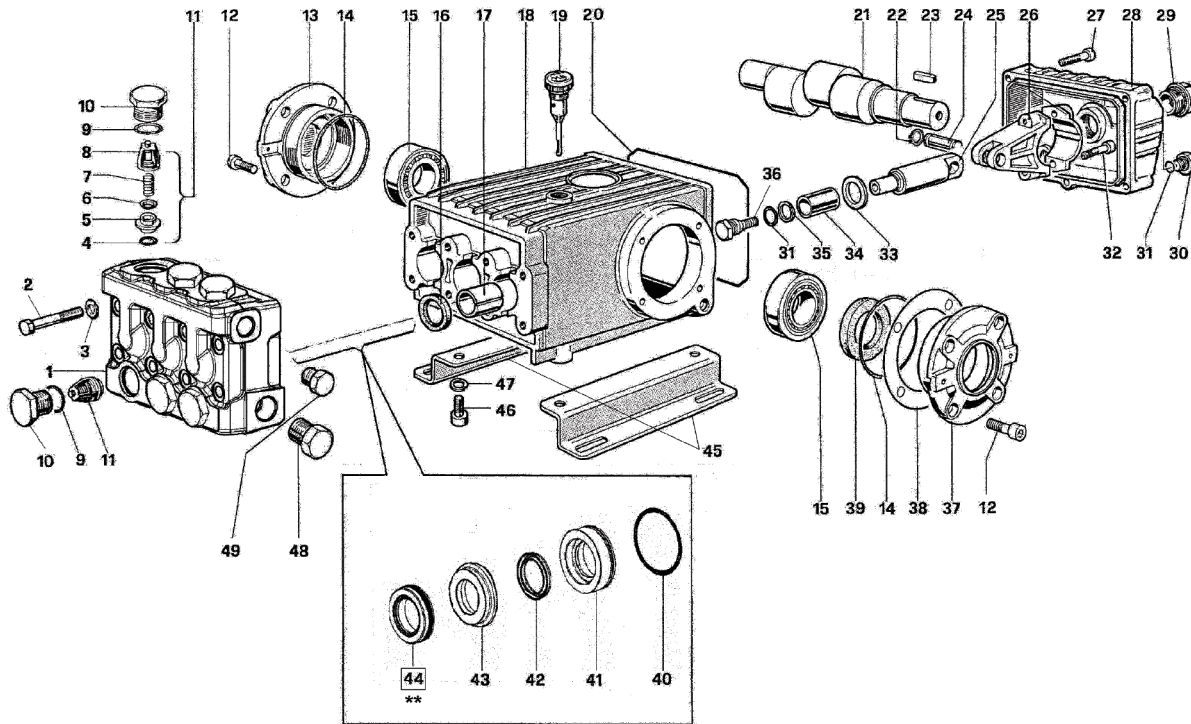
### SPECIFICATIONS

Pump Model	TS2012SS	TS2012SS Alternate Spec	TS2016SS	TS2212SS	TS2212SS Alternate Spec
Maximum Volume	4.0 GPM	4.75 GPM	5.55 GPM	4.75 GPM	5.55 GPM
Maximum Discharge Pressure	3000			2200 PSI	
Horsepower	6.0 BHP	7.2 BHP	8.4 BHP	7.2 BHP	8.4 BHP
Maximum Pump Speed	1450 RPM	1750 RPM	1450 RPM		1750 RPM
Maximum Inlet Pressure	125 PSI				
Maximum Inlet Vacuum	9 ft. water / 7.9 in. Hg				
Plunger Bore	.787 in. / 20 mm			.866 in. / 22 mm	
Plunger Stroke	.472 in. / 12 mm		.630 in. / 16 mm	.472 in. / 12 mm	
Crankcase Oil Capacity	40.6 oz.				
Maximum Fluid Temperature	180°F				
Inlet Port Thread	1/2-14 BSP-F				
Discharge Port Thread	3/8-19 BSP-F				
Shaft Diameter	.945 in. / 24 mm				
Weight	31 lbs.				
Dimensions	12.25 x 9.2 x 6.9 in.				



TRIPLEX

TRIPLEX



## PARTS LIST

ITEM	PART NO.	DESCRIPTION	QTY.	ITEM	PART NO.	DESCRIPTION	QTY.	ITEM	PART NO.	DESCRIPTION	KIT NO.	QTY.
1.	47121936	Manifold	1	22.	90055700	Circlip	6	41.	47081566	Seal Retainer, 20mm	3	
2.	99320700	Headbolt, SS, M8 x 70	8	23.	91489000	Key	1		47081666	Seal retainer, 22mm	3	
3.	96702200	Washer, SS, 8.4 x 15 x 1.5	8	24.	97738000	Wrist pin	3	42.	90225000	High pressure seal, 20mm	3	
4.	90384100	O-ring, 17.32 x 2.62	6	25.	47050766	Piston guide	3		90230000	High pressure seal, 22mm	3	
5.	36203666	Valve seat	6	26.	47030001	Connecting rod, complete	3	43.	47217666	Intermediate ring, 20mm	3	
6.	36200176	Valve poppet	6	27.	99191300	SHCS, M6 x 30 zinc plated	5		47217766	Intermediate ring, 22mm	3	
7.	94737300	Valve spring	6	28.	47160122	Back cover, deep	1	44.	90226200	Restop ring, 20mm	3	
8.	36202551	Valve cage	6	29.	97596800	Oil level sightglass	1		90231000	Restop Ring, 22mm	3	
9.	90384700	O-ring 20.24 x 2.62	6	30.	98204000	Plug, 1/4 x 9	1	45.	47200074	Pump rail	2	
10.	98223000	Valve cap, SS	6	31.	90358500	O-ring, 10.82 x 1.78	4	46.	99364400	Screw, M10 x 18, zinc plated	4	
11.	36713001	Valve assy, complete	6	32.	99309900	SHCS, M8 x 35 zinc plated	6	47.	96710600	Washer, M10, zinc plated	4	
12.	99303800	SHCS, M8 x 16 zinc plated	8	33.	96728700	Lock washw 8.4 x 13 x 0.8	6	48.	98218000	Plug, 1/2 x 10, SS	1	
13.	47150122	Side cover	1	34.	47040409	Plunger, 20 mm	3	49.	98210066	Plug, 3/8 x 13, SS	1	
14.	90391300	O-ring, 67.95 x 2.62	2		47040509	Plunger, 22 mm	3					
15.	91837800	Bearing	2	35.	90506700	Anti-extrusion ring	3					
16.	90162500	Oil seal, plunger rod	3	36.	47219766	Plunger bolt	3					
17.	90912600	Guide sleeve	3	37.	47150022	Crankcase Cover	1					
18.	47010022	Crankcase	1	38.	97567800	Spacer	2					
19.	98210600	Vented dipstick	1	39.	90164800	Shaft oil seal 30 x 55 x 7	1					
20.	90392200	O-ring, 133.02 x 2.62	1	40.	90361600	O-ring, 34.65 x 1.78	3					
21.	47021835	Crankshaft, 12mm stroke	1									
	47021735	Crankshaft, 16mm stroke	1									

## REPAIR KITS

KIT NO.	2	3	192	238 or 202 (20 mm) (22 mm)	239 or 240 (20 mm) (22 mm)
ITEM NO's INCLUDED IN KIT	16	41	4, 5, 6 7, 8 (11)	42, 44	40, 41, 42, 43, 44
NUMBER OF ASSEMBLIES IN KIT	3	2		6	1
NUMBER OF CYLINDERS KIT WILL SERVICE	3	--		3	1

## TORQUE SPECS\*

Pos.	Ft/lb	N-M
2	18.4	25
10	95.9	130
12	14.8	20
27	7.4	10
29	8.9	12
30	14.8	20
32	14.8	20
36	14.8	20
46	29.5	40
48	29.5	40
49	29.5	40

\* Decrease torque by 20% if threads are lubricated

Ref 300345 Rev. G  
07-12

**GENERAL PUMP** 1174 Northland Drive • Mendota Heights, MN 55120

Phone: 651.686.2199 • Fax: 800.535.1745 • e-mail: sales@gpcompanies.com • www.generalpump.com

