

## FEATURES

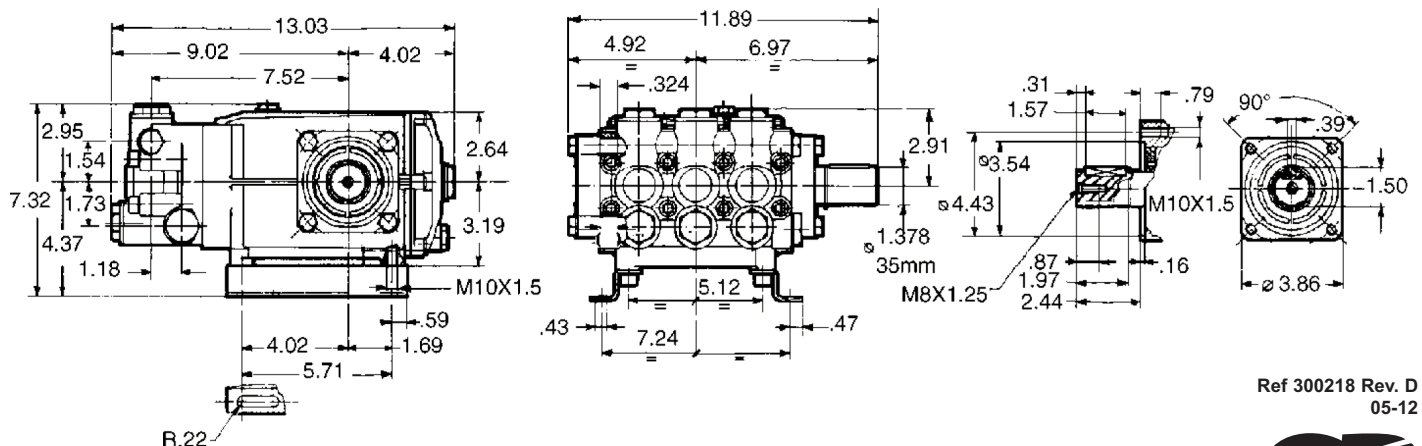
- The preferred pump frame in the pressure cleaning cleaning industry
- Forged brass manifold with an exclusive lifetime warranty
- Large-capacity, die-cast anodized aluminum, oil-bath crankcase
- Over-sized connecting rods for maximum life
- Heavy-duty tapered roller bearing
- Solid ceramic plungers with continuously lubricated packings
- Unitized stainless steel inlet and discharge valves



## SPECIFICATIONS

Pump Model	TS1041	TS1531
Maximum Volume	8.0 GPM	7.92 GPM
Maximum Discharge Pressure	1600 PSI	2175 PSI
Maximum Pump Speed	1450 RPM	
Maximum Inlet Pressure	125 PSI	
Maximum Inlet Vacuum	9 ft. water (7.9 Hg)	
Plunger Bore (in / mm)	.787 in. / 20 mm	
Plunger Stroke (in / mm)	.866 in. / 22 mm	
Oil Capacity	50.7 oz.	
Maximum Fluid Temperature	165°F	
Inlet Port Thread	3/4-14 BSP-F	
Discharge Port Thread	3/8-19 BSP-F	
Shaft Diameter	1.378 in. / 35 mm	
Weight	46 lbs.	
Dimensions	12.9" x 11.9" x 7.3"	

## DIMENSIONAL DRAWING



Ref 300218 Rev. D  
05-12

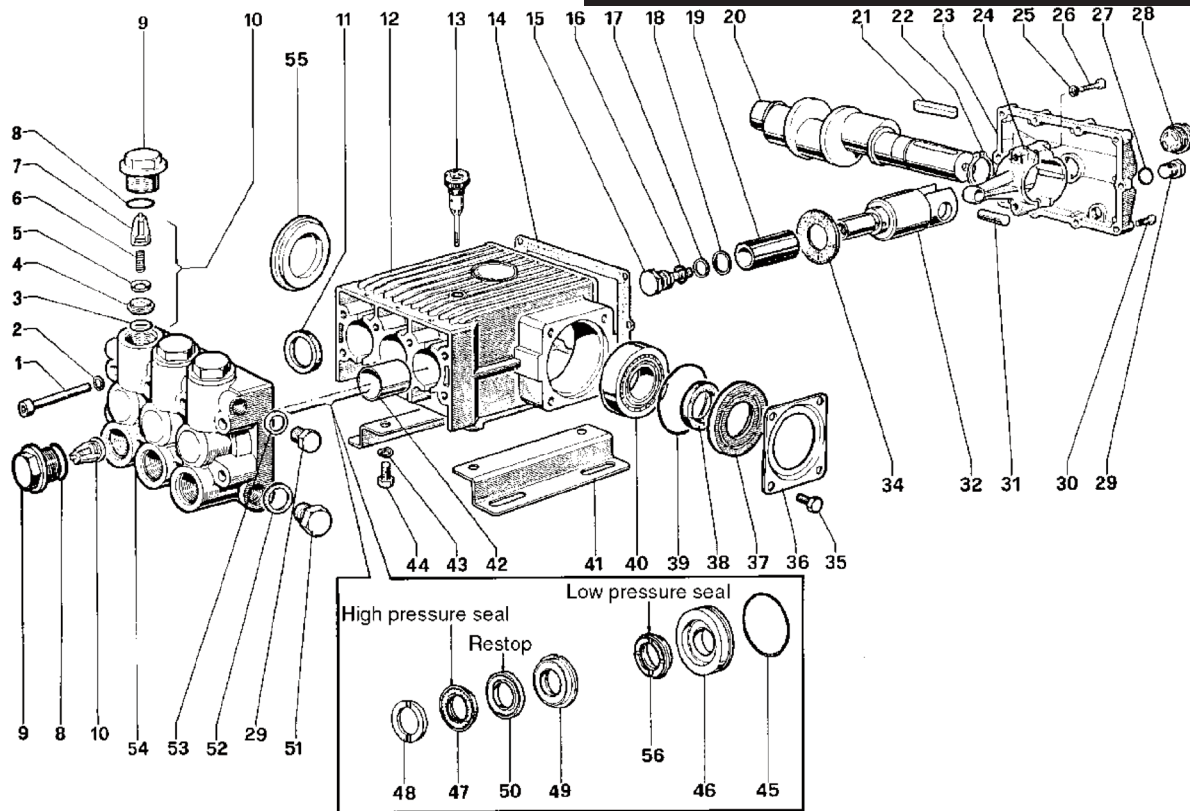


General Pump  
is a member of  
the Interpump Group



# T Series 69 - 20 mm Bore

**GENERAL PUMP** *A member of the Interpump Group*



## PARTS LIST

ITEM	PART NO.	DESCRIPTION	KIT NO.	QTY.	ITEM	PART NO.	DESCRIPTION	KIT NO.	QTY.	ITEM	PART NO.	DESCRIPTION	KIT NO.	QTY.
1.	99378700	Screw		8	20.	69021035	Crankshaft		1	39.	90413100	O-ring		2
2.	96710400	Washer		16	21.	91496900	Key		1	40.	91848000	Bearing		2
3.	90385900	O-ring	62	6	22.	90069500	Cir-clip		1	41.	47200074	Foot		2
4.	36201766	Valve Seat	62	6	23.	69160022	Crankcase Cover		1	42.	90916200	Bushing		3
5.	36201876	Valve Plate	62	6	24.	69030001	Connecting Rod		3	43.	96710600	Washer		4
6.	94739400	Spring	62	6		69030301	Connecting Rod (TS1531)			44.	99364400	Screw		4
7.	36200851	Valve Guide	62	6	25.	96701400	Washer		6	45.	90388500	O-ring	57, 82	3
8.	90405100	O-ring		6	26.	99309900	Screw		6	46.	69080470	Packing Retainer	57, 82	3
9.	98231200	Cap		6	27.	90383300	O-ring		1	47.	90270500	Packing	69, 82	3
10.	36706001	Valve Unit	62	6	28.	97596800	Indicator		1	48.	47100051	Head Ring	7, 82	3
11.	90165600	Seal	37	3	29.	98210000	Cap		2	49.	47216970	Intermediate Ring	71, 82	3
12.	69010022	Cover		1	30.	99186700	Screw		9	50.	90270400	Ring	69,71,72	3
13.	98210600	Oil Dipstick		1	31.	97739800	Plunger Pin		3	51.	98226500	Cap		1
14.	69211984	Cover Gasket		1	32.	69050254	Plunger Guide		3	52.	96770000	Washer		1
15.	47219566	Plunger Bolt	54	3	34.	69211747	Flinger	54	3	53.	96738000	Washer		1
16.	90358500	O-ring	54	3	35.	99363600	Screw		8	54.	69121041	Manifold		1
17.	90506700	Anti-ext. Ring	54	3	36.	68150074	Crankcase Cover		2	55.	69211651	Spacer		1
18.	96728000	Washer	54	3	37.	69211551	Spacer		1	56.	90271000	Seal, L.P., 20 mm	69, 82	3
19.	47040409	Plunger (20 mm)		3	38.	90167200	Ring	32	1					

## REPAIR KITS

KIT NO.	7	32	37	54	57	62	69	71	82
ITEM NO's INCLUDED IN KIT	48	38	11	15, 16, 17, 18, 34	45, 46	3, 4, 5, 6, 7 (10)	47, 50, 56	49, 50	45, 46, 47, 48, 49, 50, 56
NUMBER OF ASSEMBLIES IN KIT	6	2	3	3	3	6	3	3	1
NUMBER OF CYLINDERS KIT WILL SERVICE	3	2	3	3	3	3	3	3	1

## TORQUE SPECS\*

Position	Ft.-Lbs	Nm
1	29.4	40
9	110.6	150
15	14.7	19.9
26	14.7	19.9
28	13.2	17.9
29	29.4	39.8
30	7.3	9.9
35	29.4	39.8
44	29.4	39.8
51	51.5	69.8

\* Decrease torque by 20% if threads are lubricated

