

### FEATURES

- Forged brass manifold with an exclusive lifetime warranty
- Hi flow applications
- Dual manifolds utilizing a common crankcase for efficient performance
- Solid ceramic plungers with continuously lubricated packings
- Unitized Stainless Steel inlet and discharge valves

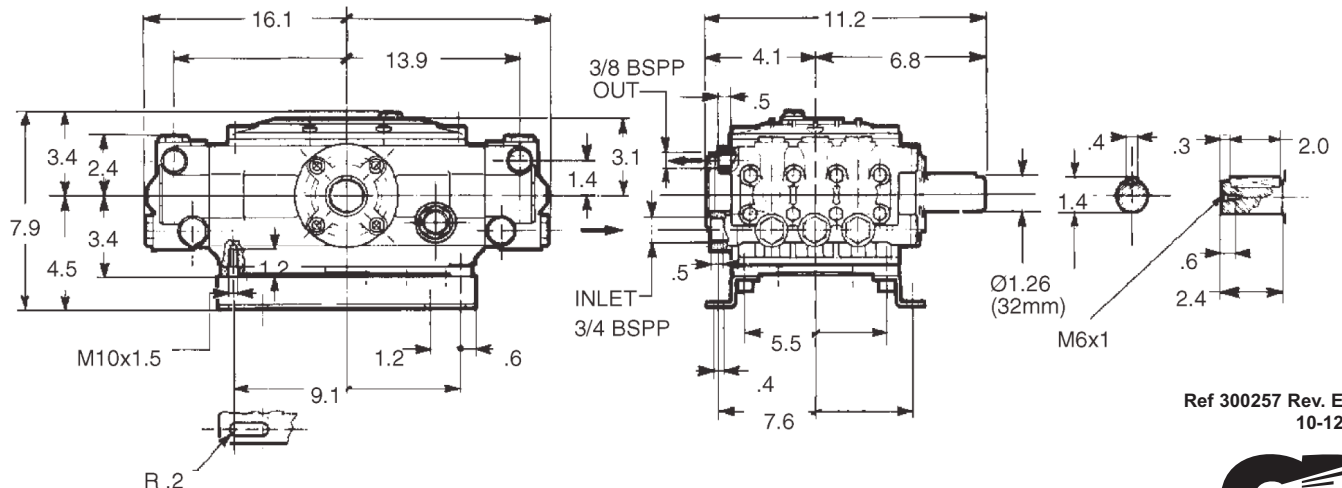


### SPECIFICATIONS

Pump Model	TS1351*	T1631	T2031	
Maximum Volume	14.0 GPM	10.0 GPM	9.0 GPM	11.0 GPM
Maximum Discharge Pressure	2000 PSI	2500 PSI	3000 PSI	2000 PSI
Maximum Pump Speed	1450 RPM	1080 RPM	1140 RPM	1450 RPM
Maximum Inlet Pressure	125 PSI			
Maximum Inlet Vacuum	9 ft. water (7.9 in. Hg)			
Plunger Bore	.787 in. / 20 mm	.866 in. / 22 mm	.787 in. / 20 mm	
Plunger Stroke	.630 in. / 16 mm			
Oil Capacity	54.0 oz.			
Maximum Fluid Temperature	165° F			
Inlet Port Thread	3/4" BSP-F			
Discharge Port Thread	3/8" BSP-F			
Shaft Diameter	1.26 in. / 32 mm			
Weight	61.0 lbs.			
Dimensions	16.1" x 11.2" x 7.9"			

\*out of production; use T2031

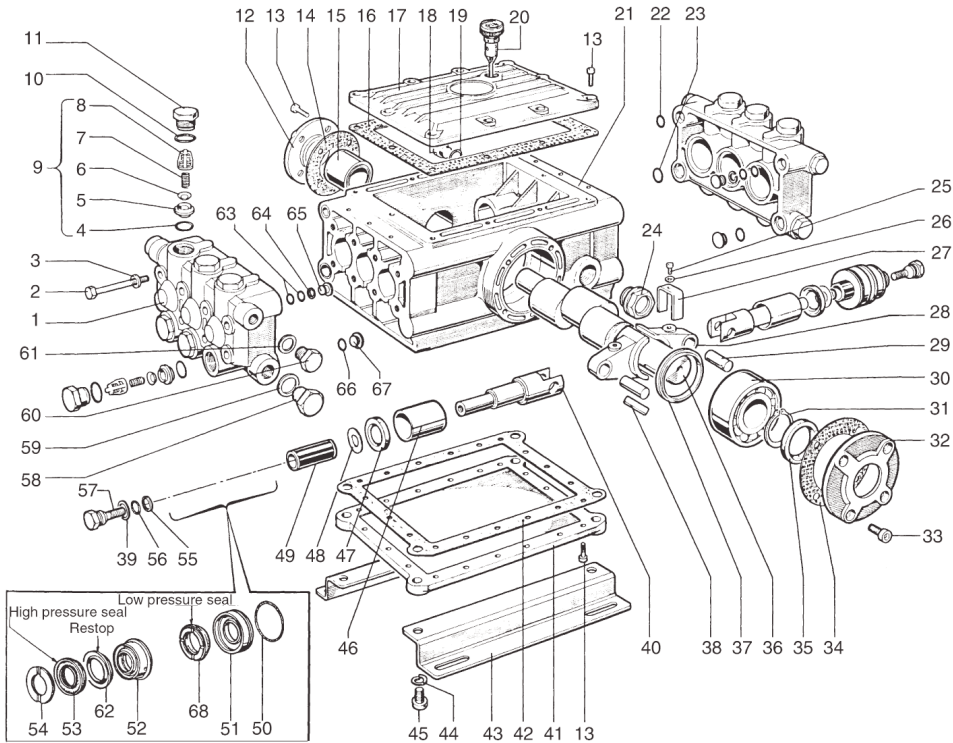
### DIMENSIONAL DRAWING



Ref 300257 Rev. E  
10-12

# T Series 48 - Sixplex Pump

**GENERAL PUMP** *A member of the Interpump Group*



## PARTS LIST

ITEM	PART NO.	DESCRIPTION	QTY.	ITEM	PART NO.	DESCRIPTION	QTY.	ITEM	PART NO.	DESCRIPTION	QTY.
1.	48120241	Manifold	2	26.	96691000	Washer	6	50.	90361600	O-ring	6
2.	99320600	Screw	16	27.	48217074	Rod Yoke	6	51.	47080570	Packing Retainer	6
3.	96702000	Washer	16	28.	48030122	Connecting Rod	3		47080670	Packing Retainer (T1631)	6
4.	90384100	O-ring	12	29.	97737400	Plunger Pin	6	52.	47216940	Intermediate Ring	6
5.	36200366	Valve Seat	12	30.	91847500	Bearing	1		47217070	Intermediate Ring (T1631)	6
6.	36200176	Valve	12	31.	90069500	Cir-clip	1	53.	90270500	Packing	6
7.	94737600	Spring	12	32.	48150022	Cover	1		90272500	Packing (T1631)	6
8.	36200251	Valve Guide	12	33.	99303900	Screw	4	54.	47100051	Head Ring	6
9.	36703201	Valve Unit	12	34.	48211284	Gasket	1		46100051	Head Ring (T1631)	6
10.	90384700	O-ring	12	35.	90167000	O-ring	1	55.	90506700	Anti-extrusion Ring	6
11.	98222000	Cap	12	36.	48020135	Crankshaft	1	56.	90358500	O-ring	6
12.	48160122	Cover	1	37.	48212389	Connecting Rod Ring	6	57.	47219566	Plunger Screw	6
13.	99183700	Screw	32	38.	91497500	Key	1	58.	98217600	Cap	4
14.	48211984	Cover, Gasket	1	39.	96728000	Washer	6	59.	96751400	Washer	4
15.	91837000	Bearing	1	40.	48050154	Plunger Guide	6	60.	98210000	Cap	3
16.	48211884	Gasket	1	41.	48211622	Cover	1	61.	96738000	Washer	3
17.	48211422	Cover	1	42.	48211784	Gasket	1	62.	90270400	Restop Ring	6
18.	98204100	Cap	1	43.	48200074	Foot	2		90273000	Restop Ring (T1631)	6
19.	90358500	O-ring	1	44.	96710600	Washer	4	63.	90358000	O-ring	4
20.	98209700	Cap	1	45.	99369900	Screw	4	64.	90503700	Anti-extrusion Ring	2
21.	48010402	Crankcase	1	46.	90915000	Bushing	6	65.	48220470	Plug	2
22.	90382700	O-ring	4	47.	90162700	Ring	6	66.	90382500	O-ring	2
23.	90383900	O-ring	4	48.	96728600	Washer	6	67.	48220370	Plug	2
24.	97596800	Oil Indicator	1	49.	47040409	Plunger - 20 mm	6	68.	90271000	Seal, LP, 20 mm	6
25.	99153700	Screw	6		47040509	Plunger - 22 , (T1631)	6				

## REPAIR KITS

## TORQUE SPECS\*

KIT NO.	K01	K04	K06	K07 (20mm)	K11 (22mm)	K10 (20mm)	K14 (22mm)	K24	K28 (20mm)	K29 (22mm)	K69 (20mm)	K148 (22mm)	K71 (20mm)	K149 (22mm)	Pos.	Ft/lb	Nm
															2	11	13
ITEM NO's INCLUDED IN KIT	4,5,6,7,8(9)	10,11	39,48,55,56,57	54	54	50,51	50,51	47	50,51,52,53,54,62,68	50,51,52,53,54,62,68	53,62,68	53,62,68	52.62	52,62			
NUMBER OF ASSEMBLIES IN KIT	6	6	3	6	6	3	3	3	1	1	3	3	3	3			
NUMBER OF CYLINDERS KIT WILL SERVICE	3	3	3	3	3	3	3	3	1	1	3	3	3	3			

\* Decrease torque by 20% if threads are lubricated

Ref 300257 Rev. E  
10-12