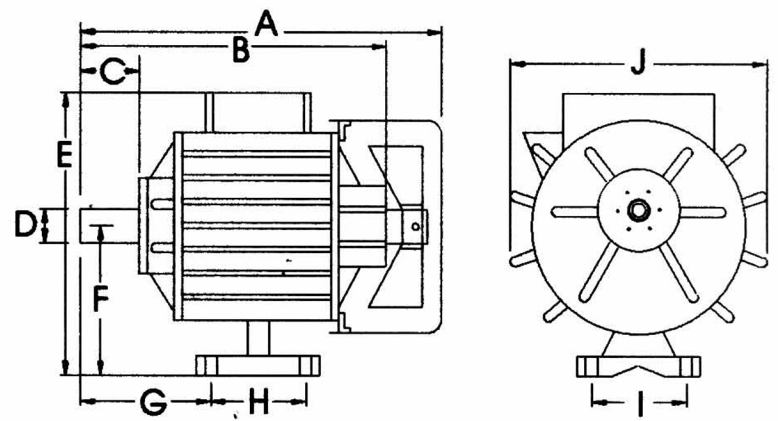
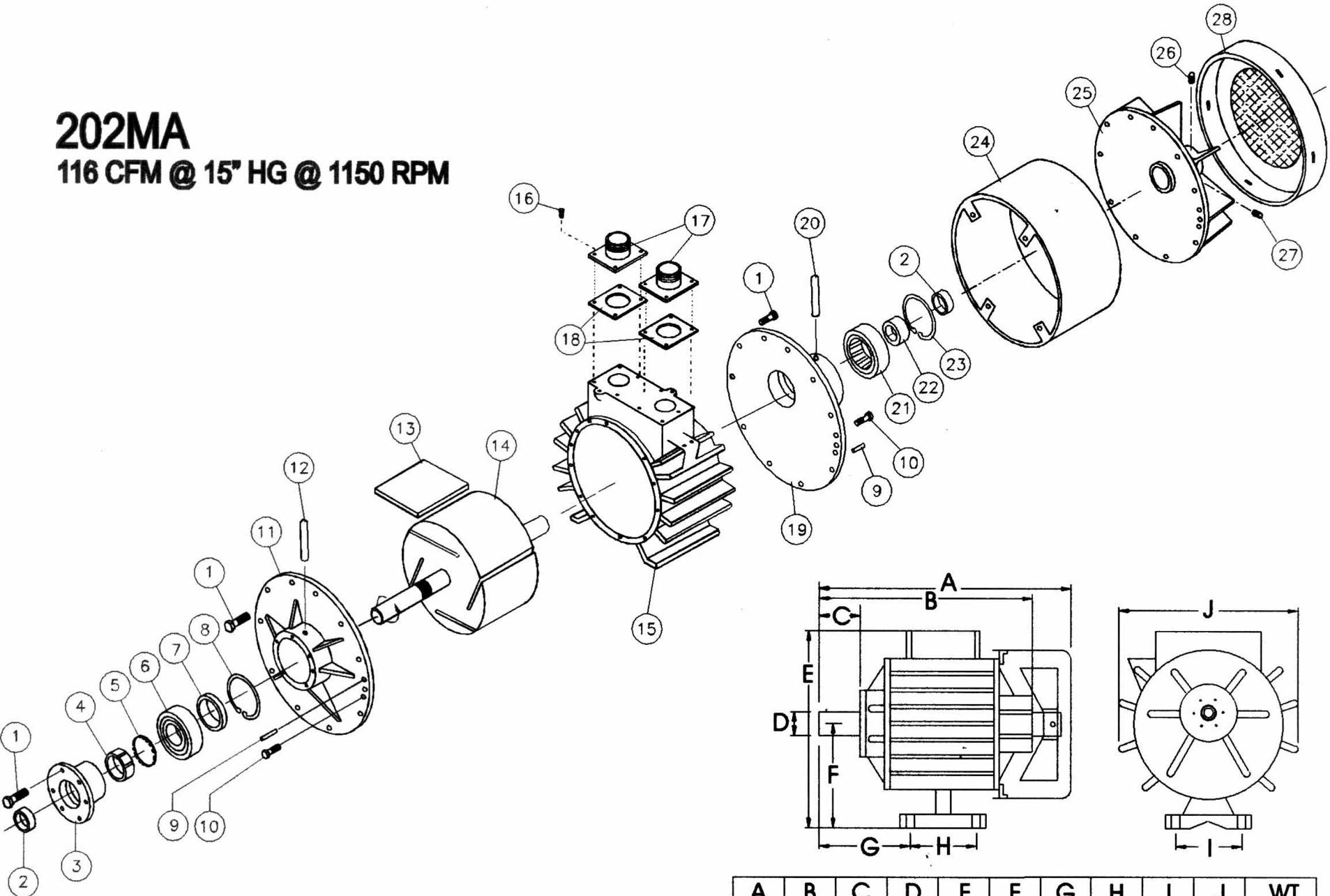


202MA

116 CFM @ 15" HG @ 1150 RPM



A	B	C	D	E	F	G	H	I	J	WT.
16"	12.0"	2.62"	1.25"	13.5"	7.5"	6.0"	2.5"	5.5"	12.5"	125