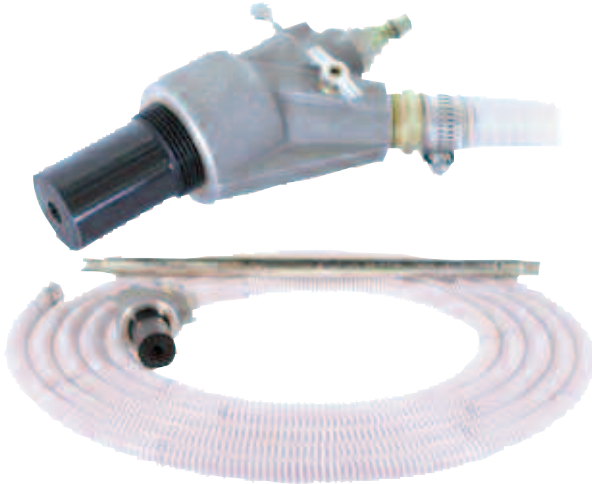


For suction-fed injection of sand into the water stream for abrasive cleaning.

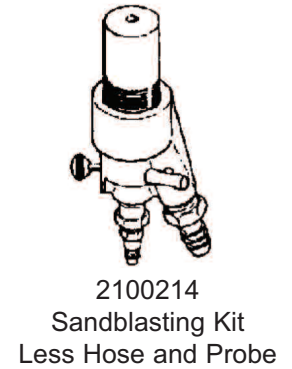
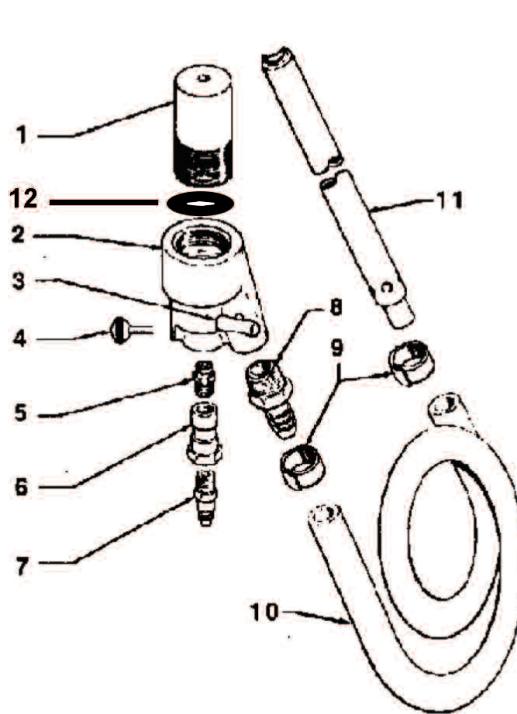
SPECIFICATIONS



Part Number	DWSDBTK	2100214	2100206
Description	Sandblast Kit Complete	Sandblast Kit, Less Hose & Probe	Mixing Head Complete
Max. Working Pressure	5500 PSI	5500 PSI	5500 PSI
Min. Working Pressure	1500 PSI	1500 PSI	1500 PSI
Max. Flow	10 GPM	10 GPM	10 GPM
Min. Flow	3 GPM	3 GPM	3 GPM
Max. Temperature	200° F	200° F	200° F
Weight	10 lb.	2.0 lb.	1.5 lb.
Material	Plated carbon steel, SST, Brass, Aluminum, Rubber, Tungsten Carbide, Plastic	SST, Brass, Tungsten Carbide, Aluminum, Plastic	SST, Brass, Tungsten Carbide, Aluminum

Parts List

No.	Part No.	Description	Qty.
1.	2900001	Sand Nozzle	1
2.	2450001	Mixing Head	1
3.	2640006	Air/Sand Valve	1
4.	2200061	Thumbscrew	1
5.	Not. Incl.	Spray Nozzle	1
6.	2530033	Nozzle Holder	1
7.	D10007	Male Quick Disconnect	1
8.	2510040	Hosebarb	1
9.	2202004	Hose Clamp	2
10.	2640005	Hose	1
11.	2550016	Sand Probe	1
12.	2710002	Washer	1
	2100214	Sandblasting Kit less hose and probe (Includes items 1-4, 6-8 and 12)	
	2100206	Mixing Head Complete (Includes items 2-4 and 6-8)	



OPERATION

Always wear protective clothing, including safety glasses while operating machine.

Connect the sand induction probe to the stub lance on the mixing head with the hose.

Place the sand induction probe in the sand supply container.

Connect the lance on the mixing head to the gun. Start the machine per manufacturer's instruction.

Trigger the gun to activate the spray.

Check the distance to hold the spray nozzle from the surface by starting to spray at a scrap of material from a distance of several feet. Gradually move closer, checking frequently to see if the high pressure spray is damaging the surface.

Refer to the application table for the type of sand recommended for your work surface.

Always point the sand nozzle downward when not spraying. This will prevent water from entering the sand supply. If water does get into the sand supply hose, remove the probe from the sand, hold control handle trigger open, and let the hose air dry. Always be sure the sand hose is dry before using.

Keep the sand covered to prevent the overspray from wetting the sand. Do not allow small fragments of the sand bag to fall into the sand supply. A small paper fragment could prevent the flow of sand.

After the sandblasting operation is complete, remove the probe from the sand, trigger the gun to clear the hose and probe of sand. Then remove the hose from the mixing head and rinse with water to remove all the sand before storage.

APPLICATIONS

Sand Mesh: Sand mesh refers to the size of screen through which a particular grade of sand will pass. A 16/50 mesh means that normally, most of the particles will pass through a #16 screen and a very small percentage will pass through a #50 screen.

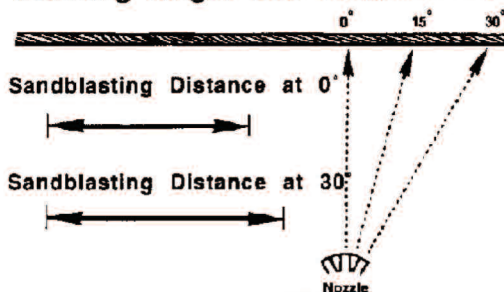
Note: A #16 screen has 16 0.046 holes per square inch.

Round Sand: This refers to the round edge of the grain of sand. River sand is a good example of sand worn to its shape by water.

Angular Sand: This refers to grains of sand which have triangular shaped edges. Crushed rock or sand is usually of this type.

Blasting Angle and Distance: The blasting angle can affect the sandblasting distance. For the best sandblasting performance always maintain the recommended blasting angle and the proper distance for your work surface.

Blasting Angle and Distance Chart



Sand Mesh Chart		
Removal of:	Sand Mesh	Sand Type
Paint from Metal	20/40	Round Silica
Paint from Masonary	20/40	Round Silica
Rubber Base Paint from Masonary	10/35	Angular
Paint from Wood (Course, Rough Cut Effect)	40/60	Round
Paint from Wood (Smoother, Drift-wood effect)	20/40	Round
Metal Scale	20/40	Round
Rust	16/50	Angular

TROUBLESHOOTING

PROBLEM	PROBABLE CAUSE	SOLUTION
No sand	Plugged sand probe. Plugged gun. Wet sand. Low vacuum.	Clear obstructions and make sure air vents in sand probe are open. Remove mixing nozzle and inspect mixing chamber. Dry or replace sand. Repair air leak in system.
Not enough sand	Low water pressure. Collapsed hose. Partial obstruction to sand probe.	Check pump for proper operation. Replace hose, or remove restriction. Clear obstruction from sand probe inlet.
Spray Tip Replacement	Spray tip replacement is made by removing the nozzle holder. The assembly should be thoroughly cleaned of sand to prevent damage to the threads and clogging of the sand nozzle. A 9/16" socket can be used to remove and install the new spray tip.	