
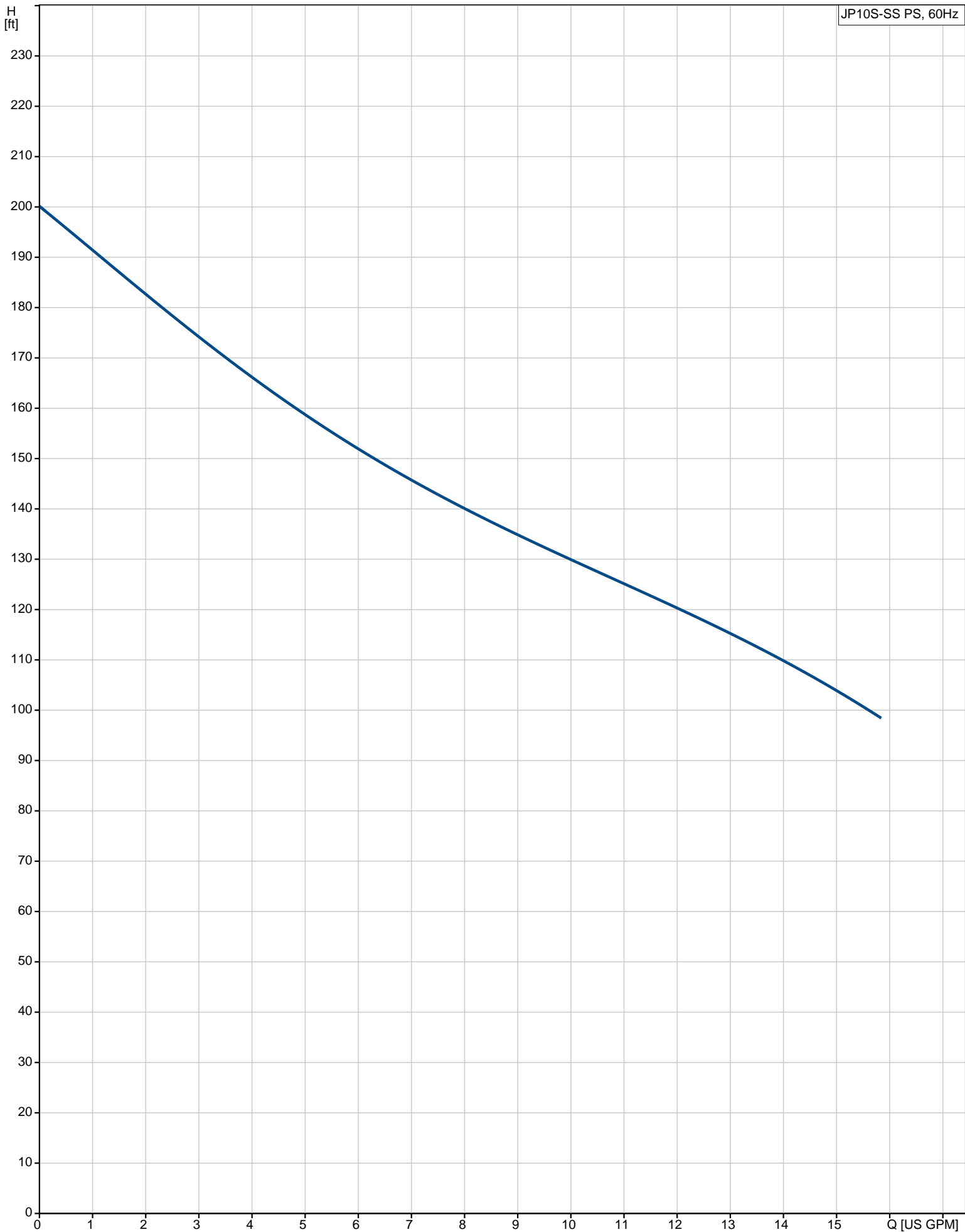
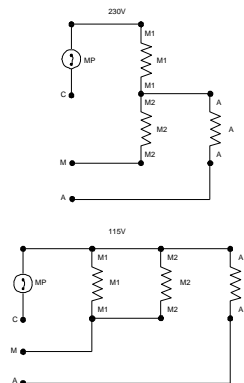
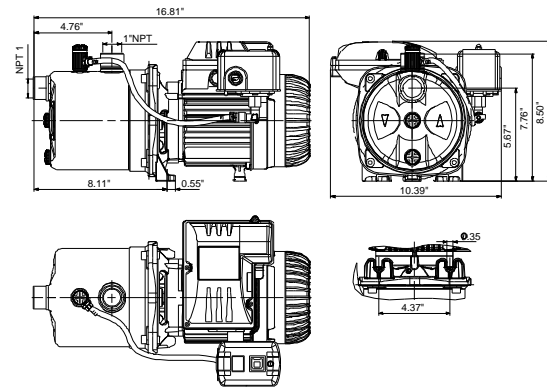
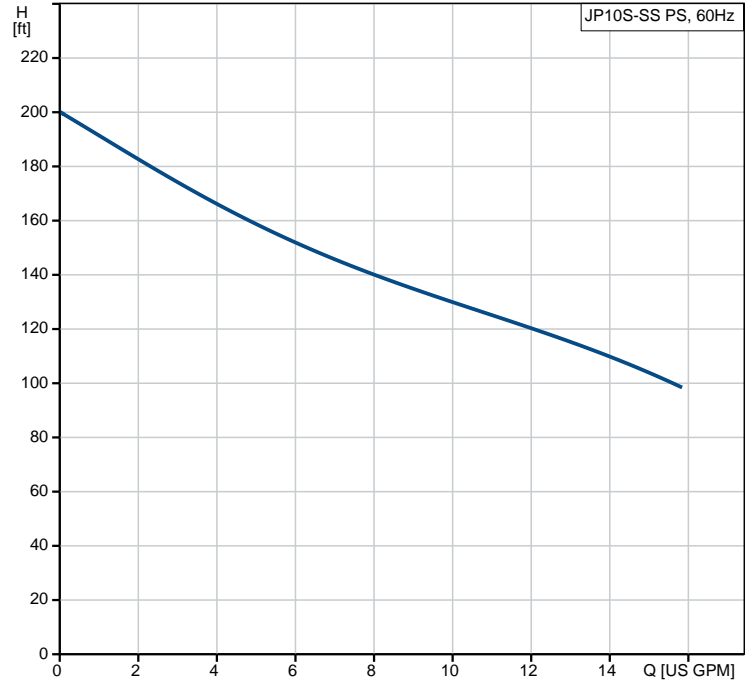


Position	Qty.	Description
	1	<p>JP10S-SS PS A-I-BBVP</p>  <p>Product No.: 97855088</p> <p>Jet pump with integrated pressure switch. The pressure switch automatically starts the pump according to demand. It is recommend to add a diaphragm tank, the diaphragm tank increases system comfort by compensating for pressure drops when a tap is opened, and finally it reduces problems with water hammer in the pipework.</p> <p>Liquid: Pumped liquid: Water Liquid temperature range: 32 .. 104 °F Liquid temperature during operation: 68 °F Density: 62.29 lb/ft³</p> <p>Technical: Primary shaft seal: BBVP Approvals on nameplate: CSA Curve tolerance: ISO9906:2012 3B</p> <p>Materials: Pump housing: Stainless steel DIN W.-Nr. 1.4301 AISI 304 Impeller: Composite</p> <p>Installation: Range of ambient temperature: 14 .. 104 °F Maximum operating pressure: 87 psi Pump inlet: NPT 1 Pump outlet: NPT 1</p> <p>Electrical data: Power input - P1: 1480 W C run: 80 µF Mains frequency: 60 Hz Rated voltage: 1 x 115-230 V Rated current: 13,8/7,1 A Capacitor size - run: 80 µF/250 V Enclosure class (IEC 34-5): IP44 Insulation class (IEC 85): F Type of cable plug: NONE</p> <p>Others: Net weight: 26.5 lb Gross weight: 26.5 lb</p>

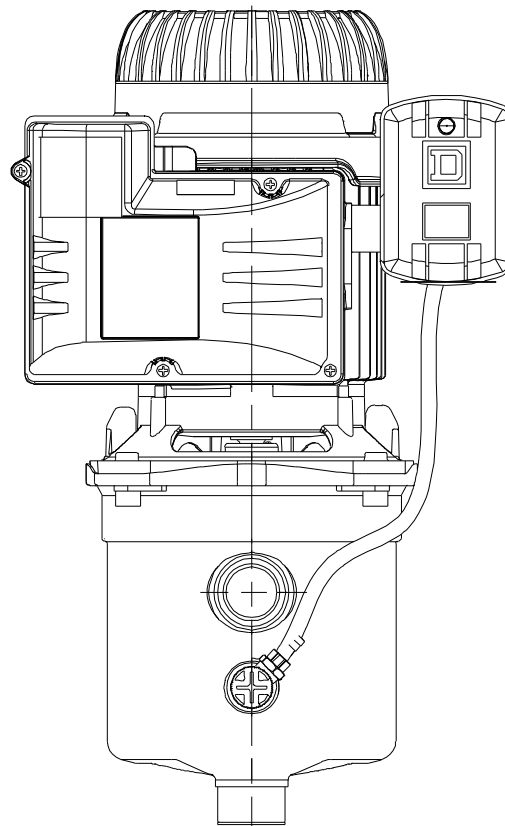
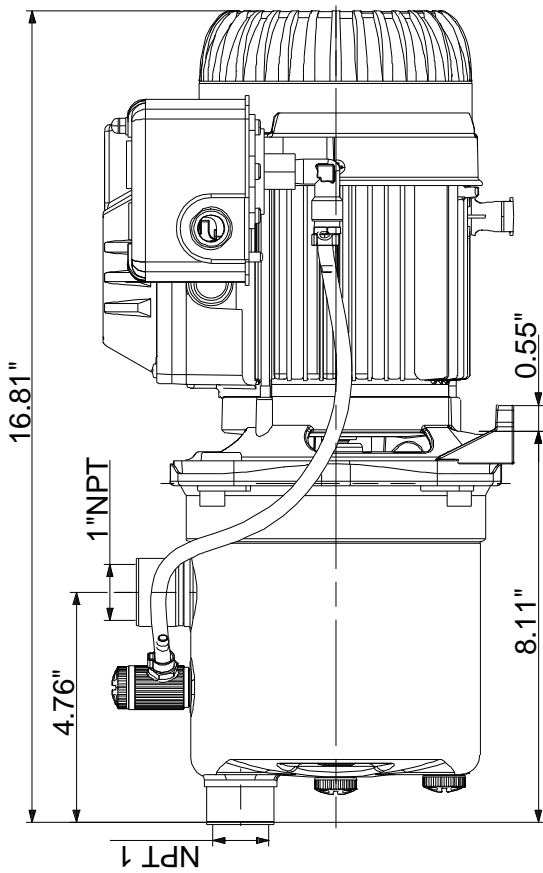
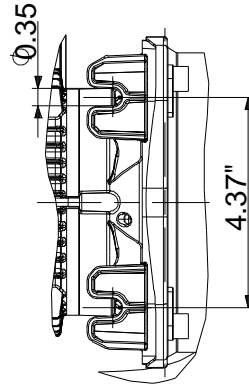
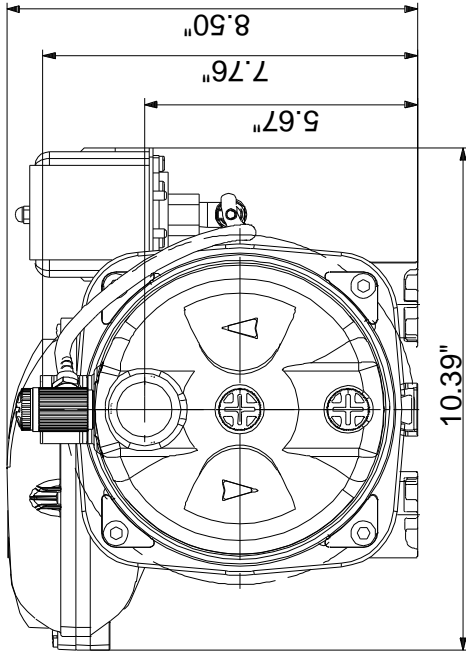
97855088 JP10S-SS PS 60 Hz



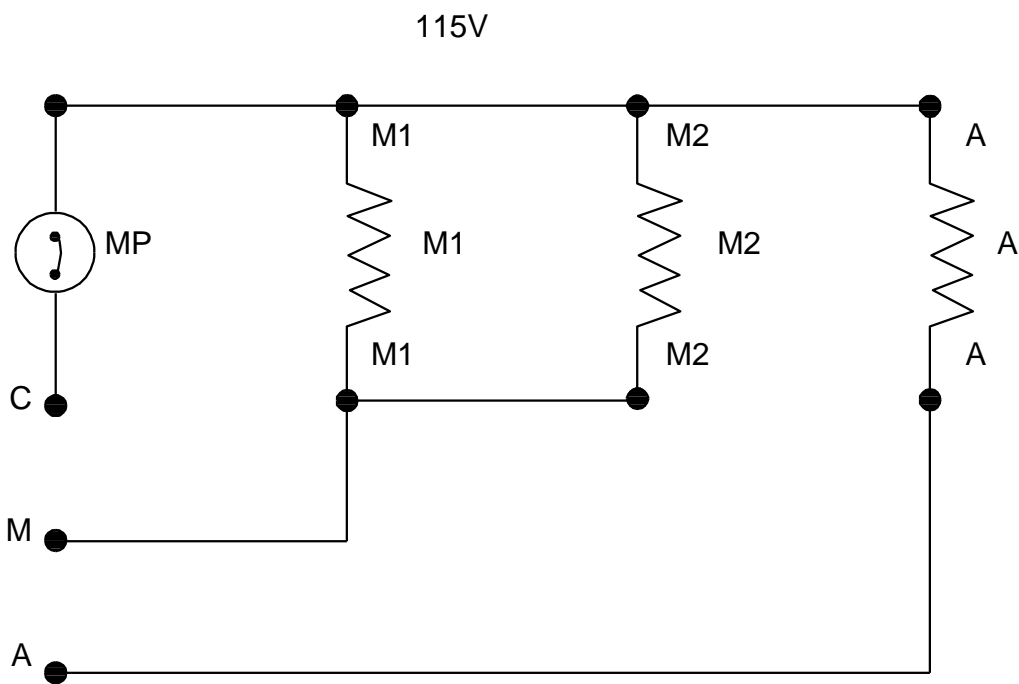
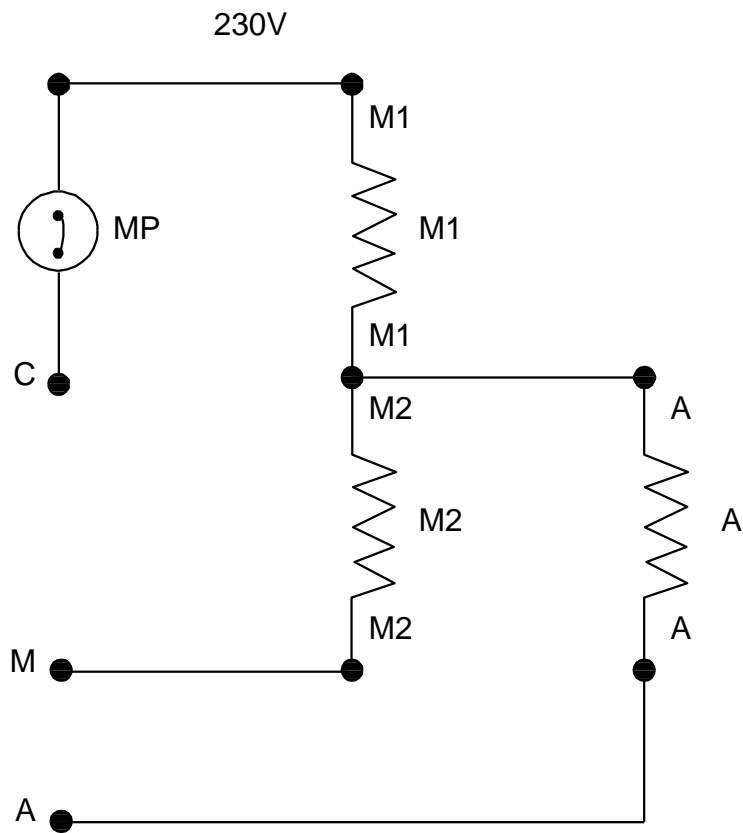
Description	Value
General information:	
Product name:	JP10S-SS PS A-I-BBVP
Product No:	97855088
EAN number:	5710625878520
Technical:	
Head max:	200.1 ft
Primary shaft seal:	BBVP
Approvals on nameplate:	CSA
Curve tolerance:	ISO9906:2012 3B
Pump version:	A
Materials:	
Pump housing:	Stainless steel DIN W.-Nr. 1.4301 AISI 304
Impeller:	Composite
Material code:	I
Installation:	
Range of ambient temperature:	14 .. 104 °F
Maximum operating pressure:	87 psi
Pump inlet:	NPT 1
Pump outlet:	NPT 1
Liquid:	
Pumped liquid:	Water
Liquid temperature range:	32 .. 104 °F
Liquid temperature during operation:	68 °F
Density:	62.29 lb/ft ³
Electrical data:	
Power input - P1:	1480 W
C run:	80 µF
Mains frequency:	60 Hz
Rated voltage:	1 x 115-230 V
Rated current:	13,8/7,1 A
Capacitor size - run:	80 µF/250 V
Enclosure class (IEC 34-5):	IP44
Insulation class (IEC 85):	F
Type of cable plug:	NONE
Others:	
Net weight:	26.5 lb
Gross weight:	26.5 lb



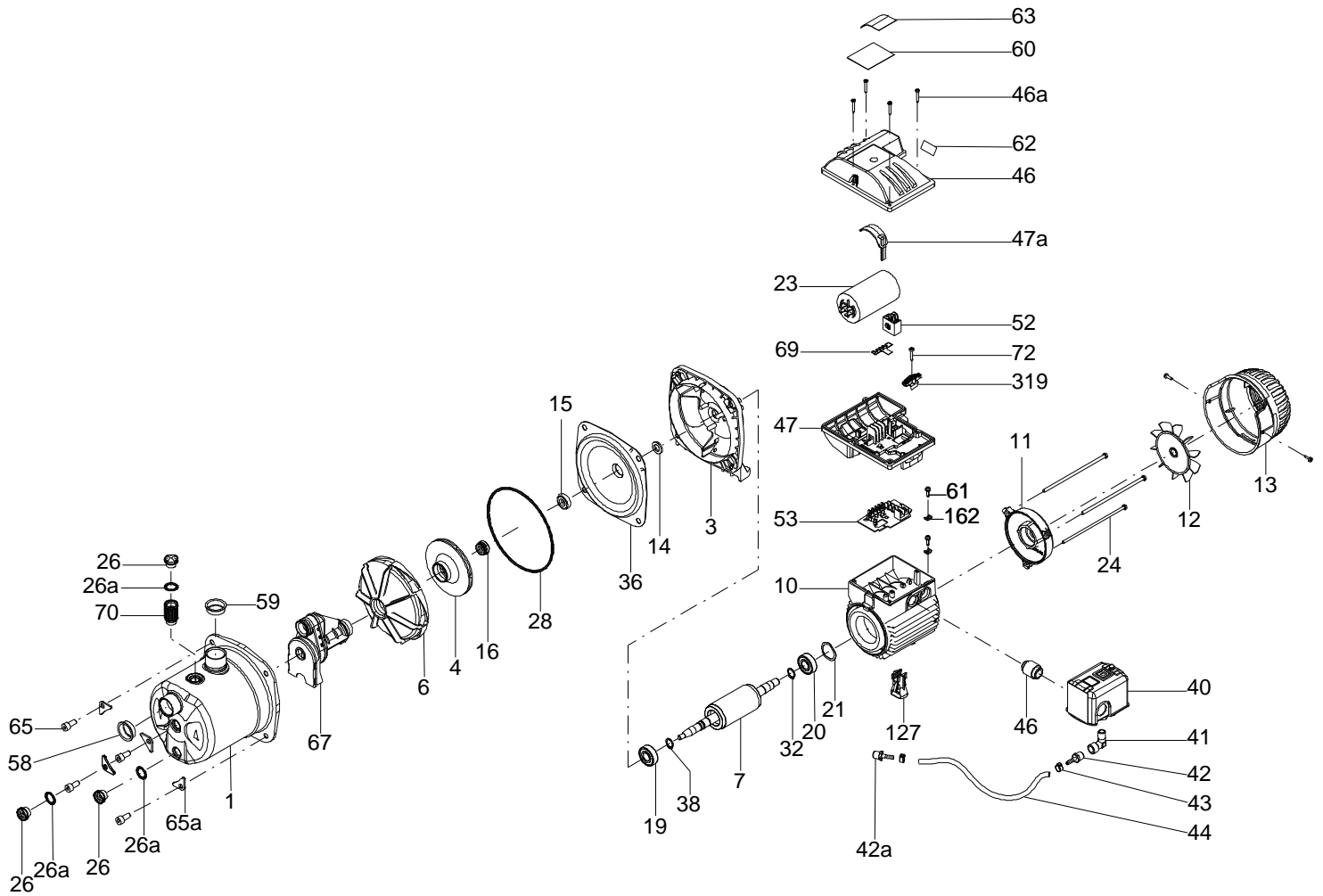
97855088 JP10S-SS PS 60 Hz



97855088 JP10S-SS PS 60 Hz



Exploded view (TM062087 JP booster)



Spare parts JP10S-SS PS, Product No. 97855088
Valid from 2.2.2016 (1605)

Pos	Description	Annotation	Classification Data	Part no.	Qty.	Unit
-	Bulk, capacitor			98419811	1	pcs
23	Capacitor				10	
-	Bulk, dual voltage block			98419717	1	pcs
52	Block				10	
-	Kit, box cover			98059737	1	pcs
46a	Screw				5	
46	Cover				1	
47a	Clip				1	
47	Housing				1	
52	Block				1	
53	PCB				1	
53	Sticker				1	
61	Screw				1	
62	Sticker				1	
63	Sticker				1	
72	Screw				1	
162	Fastener				1	
319	Cable clip.				1	
-	Kit, fan			98289942	1	pcs
12	Fan cover				1	
13	Fan cover				1	
-	Kit, hose			98289931	1	pcs
41	Fitting				1	
42a	Hose				1	
43	Clip				2	
44	Tube				0	
127	Fitting				1	
127	O-ring				1	
-	Kit, hydraulic parts			98288830	1	pcs
4	Impeller				1	
6	Diffuser				1	
67	Venturi				1	
-	Kit, motor stool			98296754	1	pcs
3	Motor stool				1	
15	Shaft seal, stationary part				1	
16	Seal ring, rotating				1	
28	O-ring				1	
36	Seal				1	
-	Kit, plug			98288867	1	pcs
26	Plug				2	
-	Kit, shaft seal			98288931	1	pcs
4	Impeller				1	
15	Shaft seal, stationary part				1	
16	Seal ring, rotating				1	
-	Pressure switch			98296792	1	pcs
40	Pressure switch				1	
-	Spare, capacitor			98298109	1	pcs
23	Capacitor				1	
-	Spare, dual voltage block			98296793	1	pcs
52	Block				1	