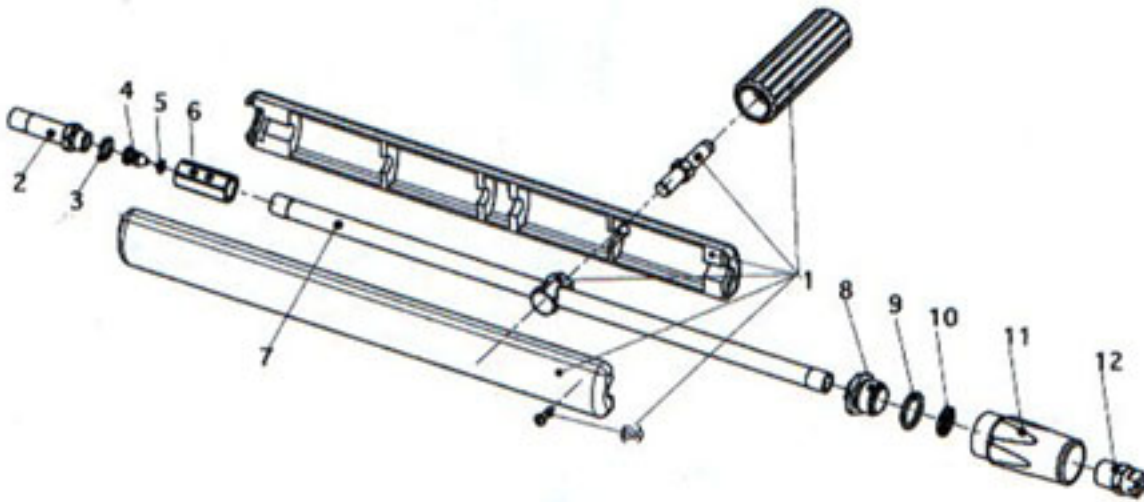


ST-72 Foam Lance



ST-72

Item	Order #	Description
1	200009520	Vented grip with handle
2	040001130	Inlet pipe
3	050000210	O-ring
4	120000130	Injector nozzle 2.0
	120000140	Injector nozzle 2.3
	120000150	Injector nozzle 3.2
5	050000520	O-ring
6	040001140	Injector housing
7	070004338	Lance, short
	070010008	Lance, long
8	040001150	Nozzle protection support
9	050000117	O-ring
10	040001790	Strainer
11	040001160	Nozzle protection
12	120501203	Nozzle, for short version
	120401503	Nozzle, for long version