

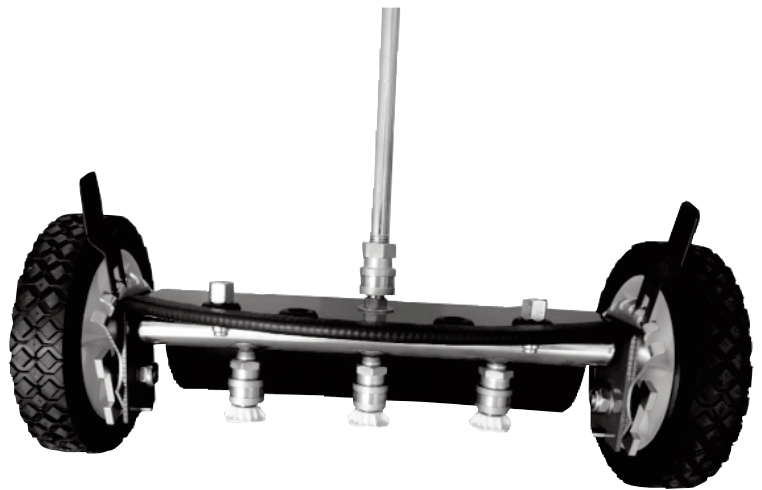
TRIKLEENER®

The
Original



PATENTED
Patent No. 7,896,266

- Recommended for units with pressures of 2500 to 4500 PSI
- Quick connect to pressure washer wand
- 3 quick-connect, quick-change nozzles
- Easy nozzle storage for quick adjustments
- Upright operation saves back strain and fatigue
- Consistent and even cleaning path
- Cleaned area is easy to see and review
- Disconnects in a snap for easy storage
- 5 to 6 times faster saving energy and water
- **COMMERCIAL GRADE - FIELD TESTED FOR 3 YEARS**



OPERATOR'S MANUAL

WARNING: Using a pressure washer involves water under intense pressure. Never point the water stream towards anyone and do not get any body parts near stream as it could cause serious injury

IMPORTANT NOTICE - PRIOR TO INITIAL USE:

Due to the possibility of small amounts of residue remaining after the manufacturing process, it is important to follow these instructions:

Before Inserting Nozzles:

Flush nozzles thoroughly with water.

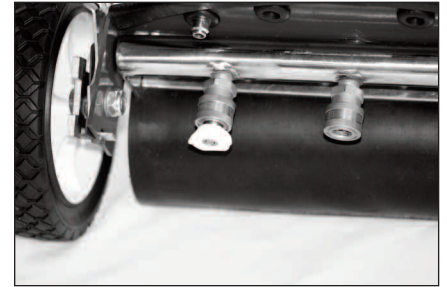
Attach the TRIKLEENER® to the pressure washer wand by engaging the “quick connect” fitting and run washer at medium pressure for approx. 10-15 seconds to “Flush” the manifold.

Warning: Once unit is engaged, NEVER put any body part near water stream under any circumstances!

1. CONNECTING THE SPRAY NOZZLES TO THE MANIFOLD

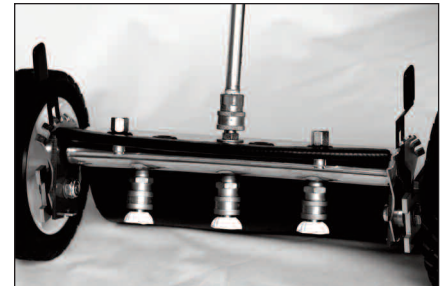
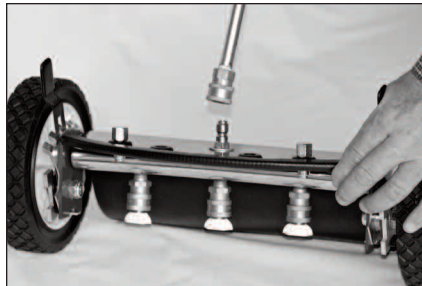
Before installing the nozzles, it is very important to flush the Trikleener with clean water.

Slide the outer portion of the quick connect fitting (collar) up, insert male portion of spray nozzle and release to “lock in” the nozzle. Make certain that the nozzles are aligned to ensure correct spraying patterns.



2. CONNECTING TO PRESSURE WASHER WAND

Utilizing the quick connect fitting on the hand wand of the unit, connect directly onto the top of the TRIKLEENER male fitting.



3. SETTING THE HEIGHT ADJUSTERS

Pushing the metal tab, release the bar so that settings are possible. The lower the setting, the closer the unit will be to the ground, increasing the velocity of water and increasing the cleaning power. By raising, it decreases the velocity thereby creating a “gentler” stream for painted surfaces.



4. UTILIZING THE TRIKLEENER TO ITS MAXIMUM CLEANING POWER

The unit is designed to be best used at approximately a 45 degree angle to push the dirt and grime away from the user. There are two methods found effective. The first is using the unit in a “vacuum cleaning” motion, and the other is to roll the unit in a straight line in a slow and deliberate manner. Each method has been found to be effective.



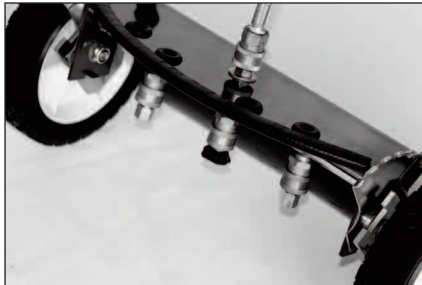
5. ESPECIALLY TOUGH CLEANING SITUATIONS

There are times when the area to be cleaned is especially tough and may require even more water pressure and volume in order to clean in an effective and efficient manner. In these cases, reduce the number of spray nozzles to 2, replacing one with a plug. Make certain that the nozzles are located next to each other and aligned correctly.



6. MISCELLANEOUS USES

Cleaning street curbs, decks, docks, painted porches or even 90 degree curbs can be cleaned utilizing the TRIKLEENER. Simply adjust settings as desired.



8. MAINTENANCE

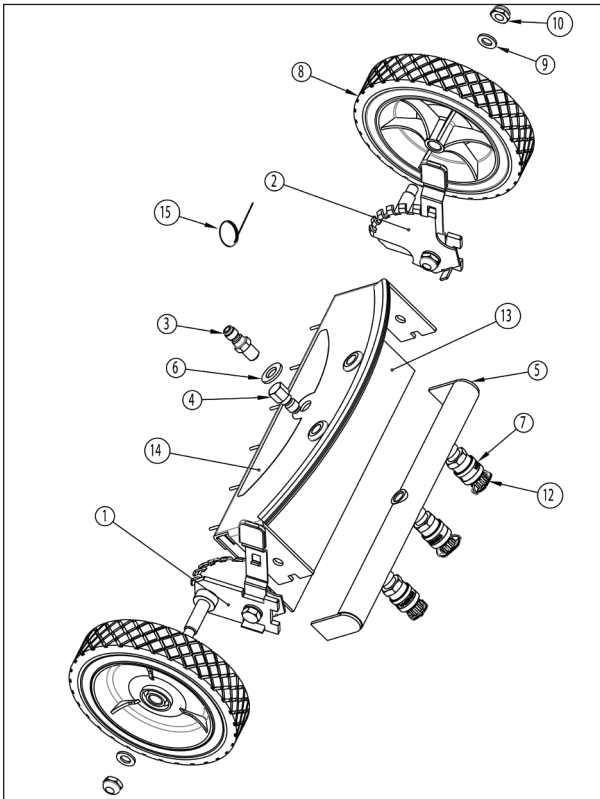


After **EACH USE**, nozzles need to be removed and the quick-connect fittings and nozzles must be flushed with a hose to continue functioning properly.

Remove nozzles after each use to prevent them from sticking in the quick disconnects.

OTHER SAFETY PRECAUTIONS

1. **ALWAYS** have unit turned off when adjusting, inserting or removing nozzles or plugs.
2. **NEVER** attempt to adjust nozzle spray patterns when unit is engaged.
3. After completing the cleaning job, and pressure washer unit is turned off, pull trigger in your hand wand in order to release pressure **BEFORE** disconnecting the TRIKLEENER®.



PARTS LIST

ITEM NO.	PART NO.	DESCRIPTION	QTY.
1	2103102	PAWL ASSY., RIGHT	1
2	2103103	PAWL ASSY., LEFT	1
3	2530094	PLUG, 1/4XM12X1.25	1
4	2530095	PLUG, 1/4	1
5	2520109	MANIFOLD	1
6	2203412	FLAT WASHER, M12	1
7	D10002	COUPLER, 1/4 QC	3
8	2700014	WHEEL, 7"	2
9	2200008	WASHER, FLAT, M10	2
10	2200033	NUT, M10	2
11	2400009	LABEL, WARNING	1
12	965013Q	NOZZLE, 65 X 1.35	3
13	2103101	FRAME ASSY.	1
14	2400006	LABEL, WATER BROOM	1
15	2800004	UNCLOGGER, NOZZLE	1

TRIKLEENER® NOZZLE SIZING CHART

		Pounds Per Square Inch - PSI										
		1500	1750	2000	2250	2500	2750	3000	3250	3500	3750	4000
Nozzle Equivalent	2	0.92	0.99	1.06	1.13	1.58	1.66	1.73	1.80	1.87	1.94	2.00
	2.5	1.22	1.32	1.41	1.50	1.98	2.07	2.17	2.25	2.34	2.42	2.50
	3	1.53	1.65	1.77	1.88	2.37	2.49	2.60	2.70	2.81	2.90	3.00
	3.5	1.84	1.98	2.12	2.25	2.77	2.90	3.03	3.15	3.27	3.39	3.50
	4	2.14	2.32	2.47	2.63	3.16	3.32	3.46	3.61	3.74	3.87	4.00
	4.5	2.45	2.65	2.83	3.00	3.56	3.73	3.90	4.06	4.21	4.36	4.50
	5	2.76	2.98	3.18	3.38	3.95	4.15	4.33	4.51	4.68	4.84	5.00
	5.5	3.06	3.31	3.54	3.75	4.35	4.56	4.76	4.96	5.14	5.33	5.50
	6	3.37	3.64	3.89	4.13	4.74	4.97	5.20	5.41	5.61	5.81	6.00
	6.5	3.67	3.97	4.24	4.50	5.14	5.39	5.63	5.86	6.08	6.29	6.50
	7	3.98	4.30	4.60	4.88	5.53	5.80	6.06	6.31	6.55	6.78	7.00
7.5	4.29	4.63	4.95	5.25	5.93	6.22	6.50	6.76	7.02	7.26	7.50	

- Step 1: Find your pressure washer PSI rating on the table above.
 Step 2: Find your GPM in the column of your PSI.
 Step 3: Find color and this will show what nozzles you should use.

Pale GrayWill work with nozzles included and/or with one nozzle plugged
 Light GrayWill work with nozzles included (3 x 1.35)
 Medium GrayShould purchase three 1/4" quick connect nozzles size #2.0 with a 40 degree angle
 Dark GrayShould purchase three 1/4" quick connect nozzles size #2.5 with a 40 degree angle

Nozzles can be purchased at most Pressure Wash dealers or aftermarket dealers

**FOR MORE INFORMATION, OR TO VIEW AN INSTRUCTIONAL VIDEO,
 VISIT www.trikleener.com**

Revision E
082015

DIMENSIONAL DRAWINGS

