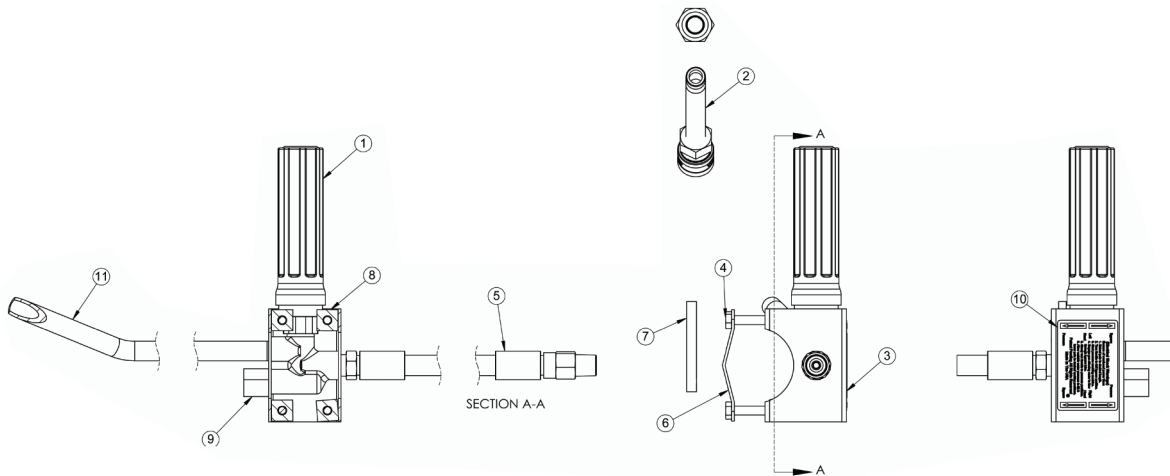


**FEATURES**

**Makes 18' and 24' extension wands easier and safer to use!**

- Wand raises and lowers with water pressure
- Easy-grip handle
- No kick-back or whipping action
- Easy to control
- Adjustable pressure
- Easy to install
- Patented! (Patent #7624933)

**PARTS LIST**



No.	Part No.	Description	Qty.
1	2100268	Valve, Lance, Dual	1
2	2103055	Lance and Fitting	1
3	2540035	Bracket	1
4	2200049	Bolt, M6 x 1 x 31	4
5	2103056	Assembly, Hose	1
6	2540036	Bracket	1

No.	Part No.	Description	Qty.
7	2702044	Guard, Rubber	2
8	2203011	Nut, M6 x 1	4
9	2510166	Elbow, 1/4-M x 1/4-F	1



General Pump  
is a member of  
the Interpump Group



## INSTALLATION INSTRUCTIONS

### STEP 1

Remove pressure hose from outlet of pressure gun (mounted on extension pole).

### STEP 2

Loosely install valve mounting clamp, approximately 1 ft. away from trigger gun on extension pole (use mounting plate, nuts and bolts provided).

### STEP 3

Attach pressure hose from valve mounting clamp, to outlet of trigger gun (tighten bolts on mounting plate to secure).

**NOTE: DO NOT OVER TIGHTEN**

### STEP 4

Now attach original pressure hose from outgoing of trigger gun to street elbow located on valve mounting clamp.

### STEP 5

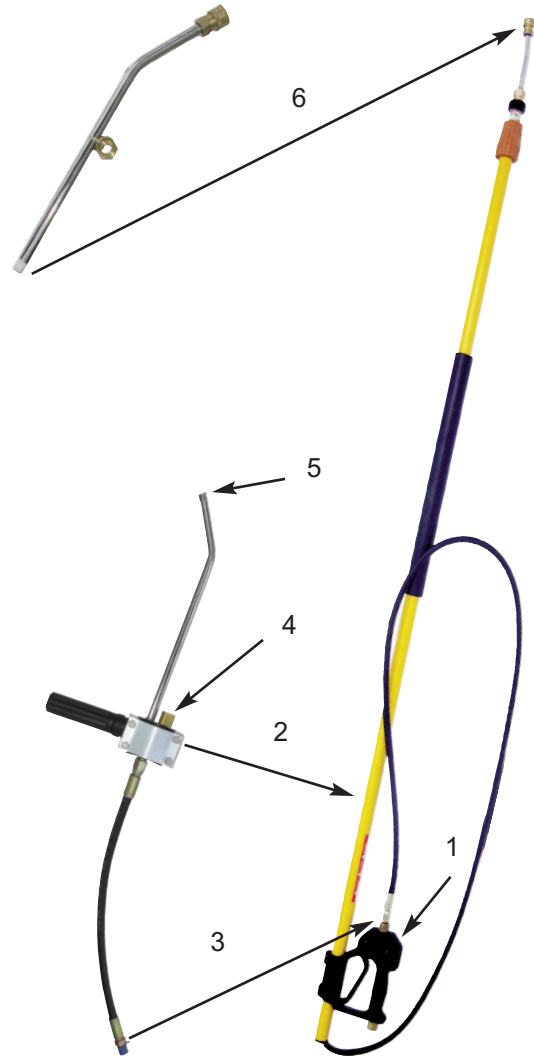
Make sure by-pass tube is facing away from extension pole. Secure bypass tube to extension pole, using the zip tie provided.

### STEP 6

Mount the 1-foot wand with the quick couplers at the end of the extension pole. This wand has a greater bend in it than the one that comes from the manufacturer.

**Valve assembly comes pre-assembled with grip handle set-up on left hand side of pole, facing outward. Grip handle can be set up on the right hand side of pole facing outward by:**

- a) Remove 1-foot bypass tube from valve assembly clamp.
- b) Remove street elbow from valve assembly clamp.
- c) Remove hose from assembly clamp.
- d) Install valve through the other side of assembly clamp.
- e) Reverse directions a, b and c (street elbow should always be installed on opposite side of grip handle).



General Pump assumes no responsibility for damages caused by misuse or mishandling of this product. Follow all assembly instructions.  
FOR PROFESSIONAL USE ONLY.

Ref 300725 Rev. B  
03-10

**GENERAL PUMP** 1174 Northland Drive • Mendota Heights, MN 55120  
Phone: (651)686-2199 • Fax: (800)535-1745 • e-mail: sales@gpcompanies.com • www.generalpump.com

