

GENERAL PUMP *A member of the Interpump Group*

Safety Relief Valves

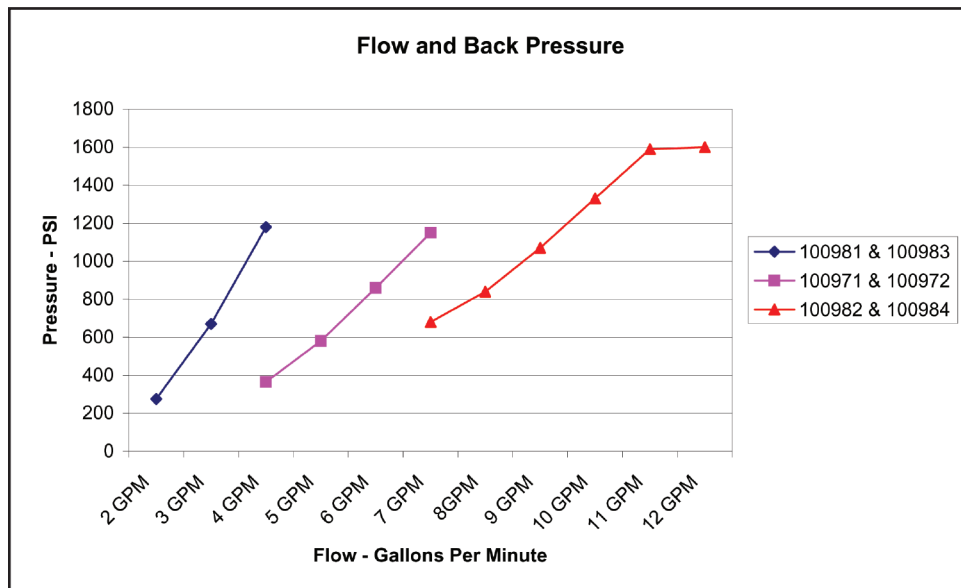
**FEATURES/BENEFITS**

- High pressure safety valve: 1500-4500 PSI relief pressure
- Designed for reduced back pressure compared to most models
- Less “whistling” and chatter than competing brands
- Highly accurate over full range of pressures
- Fits any brand of pump
- Designed and produced in the USA
- Available in 3/8” and 1/2” NPT-M
- Can be pre-set; ask your GP representative, 50 piece minimum

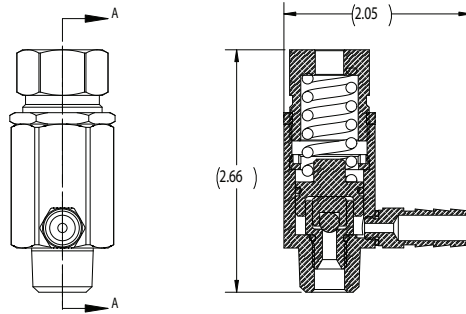
SPECIFICATIONS

Minimum Relief Pressure	1500 PSI
Maximum Relief Pressure	4500 PSI
Maximum Temperature	284 ^o F
Dimensions	2.05” x 2.62
Weight	0.5 lbs.
Materials	303 Stainless Steel Hardened Stainless Steel Ball Viton Elastomers Stainless Steel Spring Delrin

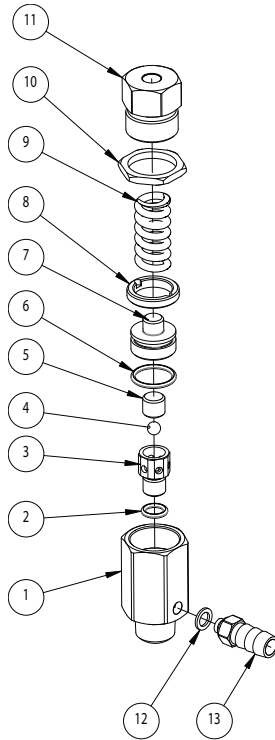
Part #	GPM	Hose Barb	Discharge	Inlet
100981	2 - 4	3/8”	Side	3/8” NPT-M
100983				1/2” NPT-M
100971	3 - 7			3/8” NPT-M
100972				1/2” NPT-M
100982	6 - 12			3/8” NPT-M
100984				1/2” NPT-M

PARTS LISTRef 300783 Rev. C
03-15General Pump
is a member of
the Interpump Group

DIMENSIONS



PARTS LIST



Item	Part Number	Description	QTY.
1	520286	SRV BODY, 3/8, SS	1
	520289	SRV BODY, 1/2" NPT, SS	1
2	701011V70	O-RING, .301 ID X .070 CS	1
3	520318	SEAT, RELIEF VALVE	1
4	520291	BALL, 7/32, 440C, GRADE 25	1
5	520319	PISTON, RELIEF VALVE	1
6	701016V	O-RING, .614ID X .070CS	1
7	520320	PLUNGER, RELIEF VALVE	1
8	520295	PISTON STOP RING, EXPANSION VALVE	1
9	720059	SPRING, 302 SS	1
10	520304	LOCKNUT, 7/8-20 X .125 WD	1
11	520288	SRV END CAP	1
12	660198	SEALING WASHER, SRV HOSE BARB	1
13	520290	HOSE BARB, .102 ORIFICE (100971, 100972)	1
	520305	HOSE BARB, .072 ORIFICE (100981, 100983)	1
	520306	HOSE BARB, .134 ORIFICE (100982, 100984)	1

Ref 300783 Rev. C
03-15