

GENERAL PUMP

A member of the Interpump Group

GP Thermostats

Capillary Style Adjustable Thermostats

FEATURES

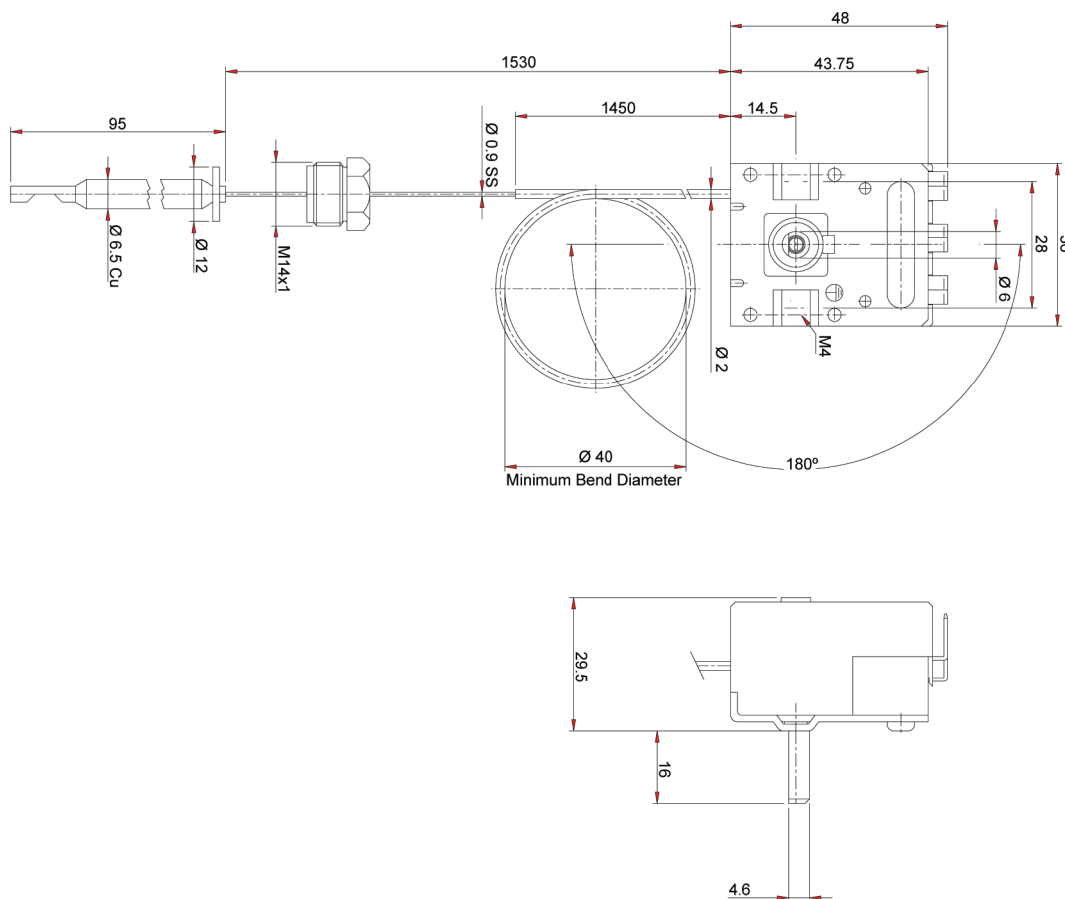
- Panel mounted, dual scale knob.
- Rapid response, $\pm 5^{\circ}\text{F}$
- 60 inch capillary tube with bulb rated to 4000 PSI
- UL/CSA approved.

SPECIFICATIONS

Part Number (Bulk 25 Pack)	100438 (100438B)	100439 (100439B)	100538 (100538B)
Temperature Range	86°F - 195°F	86°F - 302°F	86°F - 250°F
Maximum Pressure	4000 PSI		
Electric Rating AC	120VAC-20A 240VAC-20A 120/240VAC-1/4HP		
Sensing Element	Copper Bulb		
UL/CSA Approved	Yes		



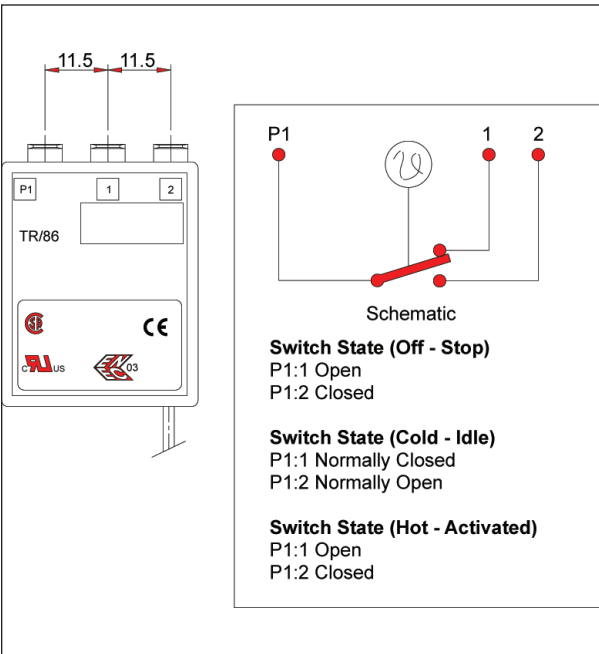
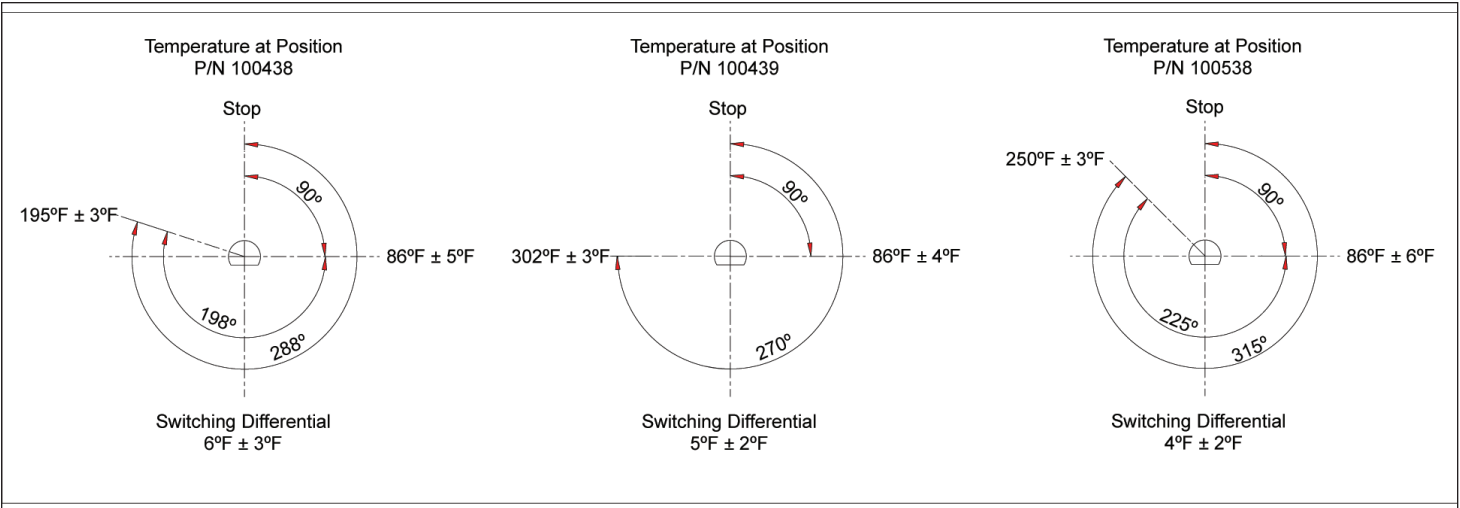
DIMENSIONS (MM)



General Pump
is a member of
the Interpump Group



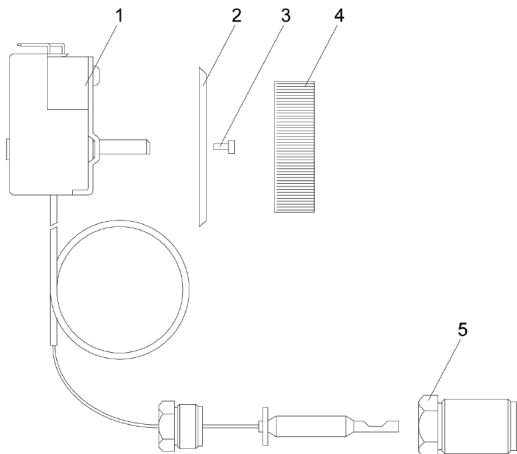
WIRING DIAGRAMS AND INSTRUCTIONS



ASSEMBLY INSTRUCTIONS

1. Thread item 5 nipple in desired location.
2. Insert probe through item 5 and thread nut into item 5.
3. Position thermostat body in desired location.
4. Connect electrical wires.
5. Align indentation on bezel with connector end of thermostat.
6. Attach bezel to thermostat with item 4 screws (qty. 2).
7. Press adjustment knob onto thermostat spindle.

PARTS LIST



No.	Part #	Description	Qty.
1.	620106	Thermostat Body, 100438	1
	620107	Thermostat Body, 100439	1
	620008	Thermostat Body, 100538	
2.	540019	Bezel	1
	550085	Bezel, 100538	
3.	660020	Adjusting Knob, 100428	1
	660021	Adjusting Knob, 100439	1
	660087	Adjusting Knob, 100538	
4.	200001	Screw	2
5.	510103	Adapter	1

Ref 300016 Rev. C
05-10