

**QLINE E, TYPE 4X**



**INDUSTRY STANDARDS**

**Polycarbonate Enclosure**

UL 508A Listed; Type 4, 4X, 6, 12, 13; File No. E61997  
 cUL Listed per CSA C22.2 No 94; Type 4, 4X, 6, 12, 13; File No. E61997  
 Enclosure flammability evaluated per UL 508A

NEMA/EEMAC Type 4, 4X, 6, 12, 13  
 CSA File No. 42186: Type 4, 4X, 12, 13  
 IEC 60529, IP67

**ABS Enclosure**

NEMA/EEMAC Type 4, 4X, 6, 12, 13  
 IEC 60529, IP67

**APPLICATION**

QLINE E Enclosures house larger controls, provide additional size-range options and offer greater internal mounting flexibility than smaller QLINE products. Featuring contoured bodies with flush cover screws, they are functional in corrosive environments and can withstand occasional submersion.

The ABS series shares the same features and similar physical properties as the polycarbonate but is a more economical, non-UL rated alternative.

**SPECIFICATIONS**

- Body is impact-resistant polycarbonate for PCE series and ABS for ABE series
- Opaque and clear covers are impact-resistant polycarbonate for PCE, opaque covers are ABS for ABE series
- Polycarbonate and ABS material is easily punched, drilled, filed or sawed
- Cross-point flush cover screws are strong, durable polyamide
- Cover includes a molded-in wire lead hole
- Mounting tracks along body side walls for PC card installation
- Molded internal pads for mounting optional panels, rails and other components
- Seamless foam-in-place gasket assures watertight and dust-tight seal
- Material is halogen free

**FINISH**

Polycarbonate and ABS enclosure material is RAL 7035 light-gray inside and out. Optional panels are plated steel.

**ACCESSORIES**

*See also Accessories.*

- Brass Inserts
- Hardware Kit
- Hinge Kit
- HOL-SEALERS Non-Metallic Hole Seals
- Mounting Bracket Kit

**MODIFICATION AND CUSTOMIZATION**

Hoffman excels at modifying and customizing products to your specifications. Contact your local Hoffman sales office or distributor for complete information.

**BULLETIN: Q41**

Standard Product Polycarbonate

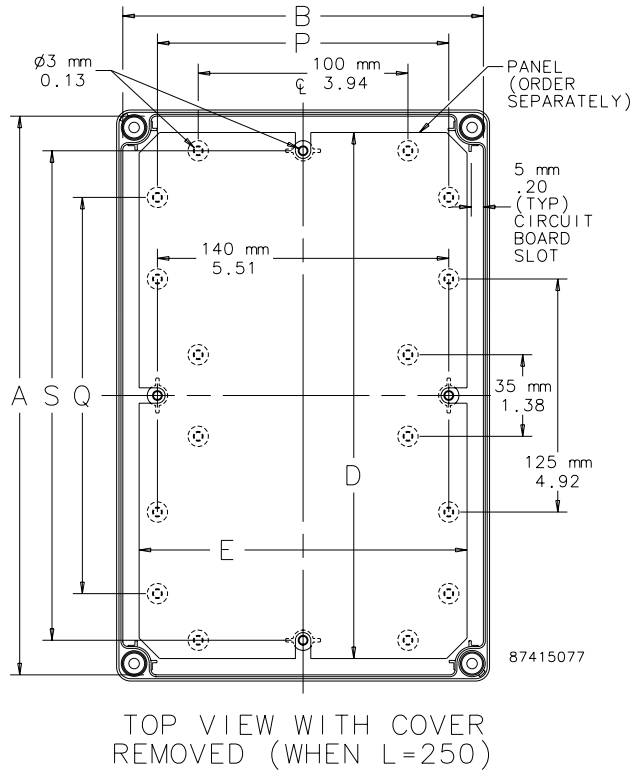
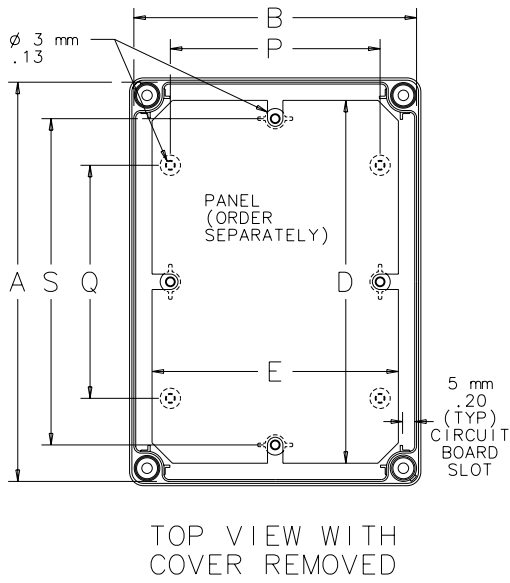
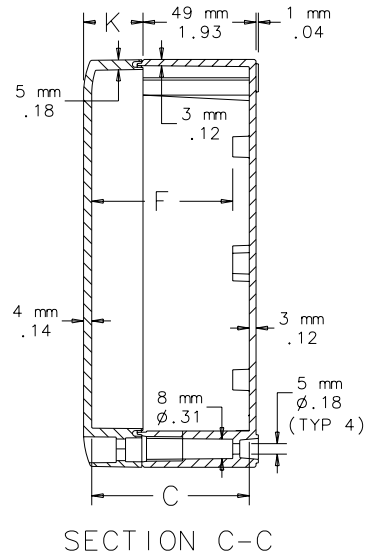
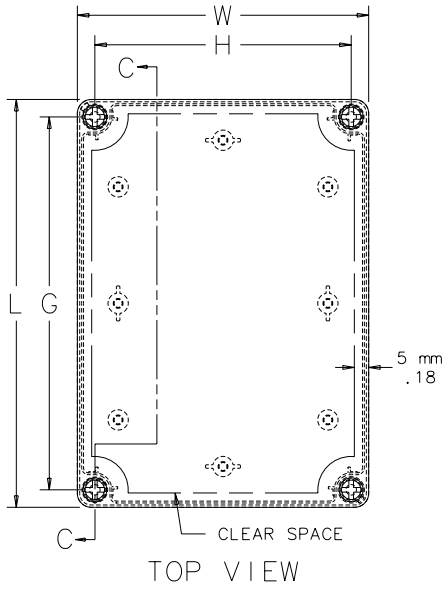
Table with columns: Catalog Number, Ax B x C mm/in., Cover Style, External Dimensions L x W mm/in., Panel, Panel Size D x E mm/in., Mounting G x H mm/in., F mm/in., K mm/in., P mm/in., Q mm/in., S mm/in. Rows include various product variants like Q1388PCE, Q1388PCECC, Q13138PCE, etc.

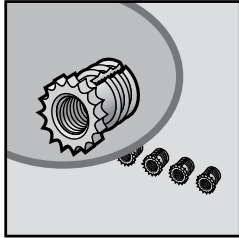
A x B x C are internal dimensions.

Purchase panels separately.

Standard Product **ABS**

Catalog Number	AxBxC mm/in.	Cover Style	External Dimensions L x W mm/in.	Panel	Panel Size D x E mm/in.	Mounting G x H mm/in.	F mm/in.	K mm/in.	P mm/in.	Q mm/in.	S mm/in.
Q1388ABE	75 x 125 x 75 2.95 x 4.92 x 2.95	Opaque	125 x 75 4.92 x 2.95	Q138PE	98 x 48 3.86 x 1.89	110 x 60 4.33 x 2.36	61 2.40	25 .98	40 1.57	75 2.95	90 3.54
Q1388ABECC	75 x 125 x 75 2.95 x 4.92 x 2.95	Clear	125 x 75 4.92 x 2.95	Q138PE	98 x 48 3.86 x 1.89	110 x 60 4.33 x 2.36	61 2.40	25 .98	40 1.57	75 2.95	90 3.54
Q13138ABE	125 x 125 x 75 4.92 x 4.92 x 2.95	Opaque	125 x 125 4.92 x 4.92	Q1313PE	98 x 98 3.86 x 3.86	110 x 110 4.33 x 4.33	61 2.40	25 .98	90 3.54	75 2.95	90 3.54
Q13138ABECC	125 x 125 x 75 4.92 x 4.92 x 2.95	Clear	125 x 125 4.92 x 4.92	Q1313PE	98 x 98 3.86 x 3.86	110 x 110 4.33 x 4.33	61 2.40	25 .98	90 3.54	75 2.95	90 3.54
Q18138ABE	125 x 175 x 75 4.92 x 6.89 x 2.95	Opaque	175 x 125 6.89 x 4.92	Q1813PE	148 x 98 5.83 x 3.86	160 x 110 6.30 x 4.33	61 2.40	25 .98	90 3.54	100 3.94	140 5.51
Q18138ABECC	125 x 175 x 75 4.92 x 6.89 x 2.95	Clear	175 x 125 6.89 x 4.92	Q1813PE	148 x 98 5.83 x 3.86	160 x 110 6.30 x 4.33	61 2.40	25 .98	90 3.54	100 3.94	140 5.51
Q18188ABE	175 x 175 x 75 6.89 x 6.89 x 2.95	Opaque	175 x 175 6.89 x 6.89	Q1818PE	148 x 148 5.83 x 5.83	160 x 160 6.30 x 6.30	61 2.40	25 .98	140 5.51	125 4.92	140 5.51
Q18188ABECC	175 x 175 x 75 6.89 x 6.89 x 2.95	Clear	175 x 175 6.89 x 6.89	Q1818PE	148 x 148 5.83 x 5.83	160 x 160 6.30 x 6.30	61 2.40	25 .98	140 5.51	125 4.92	140 5.51
Q25188ABE	175 x 250 x 75 6.89 x 9.84 x 2.95	Opaque	250 x 175 9.84 x 6.89	Q2518PE	223 x 148 8.78 x 5.83	235 x 160 9.25 x 6.30	61 2.40	25 .98	139 5.47	202 7.95	215 8.46
Q25188ABECC	175 x 250 x 75 6.89 x 9.84 x 2.95	Clear	250 x 175 9.84 x 6.89	Q2518PE	223 x 148 8.78 x 5.83	235 x 160 9.25 x 6.30	61 2.40	25 .98	139 5.47	202 7.95	215 8.46
Q13810ABE	119 x 69 x 92 4.67 x 2.70 x 3.64	Opaque	125 x 75 4.92 x 2.95	Q138PE	98 x 48 3.86 x 1.89	110 x 60 4.33 x 2.36	86 3.39	50 1.97	40 1.57	75 2.95	90 3.54
Q13810ABECC	75 x 125 x 100 2.95 x 4.92 x 3.94	Clear	125 x 75 4.92 x 2.95	Q138PE	98 x 48 3.86 x 1.89	110 x 60 4.33 x 2.36	86 3.39	50 1.97	40 1.57	75 2.95	90 3.54
Q131310ABE	119 x 119 x 92 4.67 x 4.67 x 3.64	Opaque	125 x 125 4.92 x 4.92	Q1313PE	98 x 98 3.86 x 3.86	110 x 110 4.33 x 4.33	86 3.39	50 1.97	90 3.54	75 2.95	90 3.54
Q131310ABECC	125 x 125 x 100 4.92 x 4.92 x 3.94	Clear	125 x 125 4.92 x 4.92	Q1313PE	98 x 98 3.86 x 3.86	110 x 110 4.33 x 4.33	86 3.39	50 1.97	90 3.54	75 2.95	90 3.54
Q181310ABE	169 x 119 x 92 6.63 x 4.67 x 3.64	Opaque	175 x 125 6.89 x 4.92	Q1813PE	148 x 98 5.83 x 3.86	160 x 110 6.30 x 4.33	86 3.39	50 1.97	90 3.54	100 3.94	140 5.51
Q181310ABECC	125 x 175 x 100 4.92 x 6.89 x 3.94	Clear	175 x 125 6.89 x 4.92	Q1813PE	148 x 98 5.83 x 3.86	160 x 110 6.30 x 4.33	86 3.39	50 1.97	90 3.54	100 3.94	140 5.51
Q181810ABE	169 x 169 x 92 6.63 x 6.63 x 3.64	Opaque	175 x 175 6.89 x 6.89	Q1818PE	148 x 148 5.83 x 5.83	160 x 160 6.30 x 6.30	86 3.39	50 1.97	140 5.51	125 4.92	140 5.51
Q181810ABECC	175 x 175 x 100 6.89 x 6.89 x 3.94	Clear	175 x 175 6.89 x 6.89	Q1818PE	148 x 148 5.83 x 5.83	160 x 160 6.30 x 6.30	86 3.39	50 1.97	140 5.51	125 4.92	140 5.51
Q251810ABE	244 x 169 x 92 9.59 x 6.63 x 3.64	Opaque	250 x 175 9.84 x 6.89	Q2518PE	223 x 148 8.78 x 5.83	235 x 160 9.25 x 6.30	86 3.39	50 1.97	139 5.47	202 7.95	215 8.46
Q251810ABECC	175 x 250 x 100 6.89 x 9.84 x 3.94	Clear	250 x 175 9.84 x 6.89	Q2518PE	223 x 148 8.78 x 5.83	235 x 160 9.25 x 6.30	86 3.39	50 1.97	139 5.47	202 7.95	215 8.46
Q13813ABE	75 x 125 x 125 2.95 x 4.92 x 4.92	Opaque	125 x 75 4.92 x 2.95	Q138PE	98 x 48 3.86 x 1.89	110 x 60 4.33 x 2.36	111 4.37	75 2.95	40 1.57	75 2.95	90 3.54
Q13813ABECC	75 x 125 x 125 2.95 x 4.92 x 4.92	Clear	125 x 75 4.92 x 2.95	Q138PE	98 x 48 3.86 x 1.89	110 x 60 4.33 x 2.36	111 4.37	75 2.95	40 1.57	75 2.95	90 3.54
Q131313ABE	125 x 125 x 125 4.92 x 4.92 x 4.92	Opaque	125 x 125 4.92 x 4.92	Q1313PE	98 x 98 3.86 x 3.86	110 x 110 4.33 x 4.33	111 4.37	75 2.95	90 3.54	75 2.95	90 3.54
Q131313ABECC	125 x 125 x 125 4.92 x 4.92 x 4.92	Clear	125 x 125 4.92 x 4.92	Q1313PE	98 x 98 3.86 x 3.86	110 x 110 4.33 x 4.33	111 4.37	75 2.95	90 3.54	75 2.95	90 3.54
Q181313ABE	125 x 175 x 125 4.92 x 6.89 x 4.92	Opaque	175 x 125 6.89 x 4.92	Q1813PE	148 x 98 5.83 x 3.86	160 x 110 6.30 x 4.33	111 4.37	75 2.95	90 3.54	100 3.94	140 5.51
Q181313ABECC	125 x 175 x 125 4.92 x 6.89 x 4.92	Clear	175 x 125 6.89 x 4.92	Q1813PE	148 x 98 5.83 x 3.86	160 x 110 6.30 x 4.33	111 4.37	75 2.95	90 3.54	100 3.94	140 5.51
Q181813ABE	175 x 175 x 125 6.89 x 6.89 x 4.92	Opaque	175 x 175 6.89 x 6.89	Q1818PE	148 x 148 5.83 x 5.83	160 x 160 6.30 x 6.30	111 4.37	75 2.95	140 5.51	125 4.92	140 5.51
Q181813ABECC	175 x 175 x 125 6.89 x 6.89 x 4.92	Clear	175 x 175 6.89 x 6.89	Q1818PE	148 x 148 5.83 x 5.83	160 x 160 6.30 x 6.30	111 4.37	75 2.95	140 5.51	125 4.92	140 5.51
Q181315ABE	169 x 119 x 142 6.63 x 4.67 x 5.61	Opaque	175 x 125 6.89 x 4.92	Q1813PE	148 x 98 5.83 x 3.86	160 x 110 6.30 x 4.33	136 5.35	100 3.94	90 3.54	100 3.94	140 5.51
Q181315ABECC	125 x 175 x 150 4.92 x 6.89 x 5.91	Clear	175 x 125 6.89 x 4.92	Q1813PE	148 x 98 5.83 x 3.86	160 x 110 6.30 x 4.33	136 5.35	100 3.94	90 3.54	100 3.94	140 5.51
Q181815ABE	169 x 169 x 142 6.63 x 6.63 x 5.61	Opaque	175 x 175 6.89 x 6.89	Q1818PE	148 x 148 5.83 x 5.83	160 x 160 6.30 x 6.30	136 5.35	100 3.94	140 5.51	125 4.92	140 5.51
Q181815ABECC	175 x 175 x 150 6.89 x 6.89 x 5.91	Clear	175 x 175 6.89 x 6.89	Q1818PE	148 x 148 5.83 x 5.83	160 x 160 6.30 x 6.30	136 5.35	100 3.94	140 5.51	125 4.92	140 5.51
Q251815ABE	244 x 169 x 142 9.59 x 6.63 x 5.61	Opaque	250 x 175 9.84 x 6.89	Q2518PE	223 x 148 8.78 x 5.83	235 x 160 9.25 x 6.30	136 5.35	100 3.94	139 5.47	202 7.95	215 8.46
Q251815ABECC	175 x 250 x 150 6.89 x 9.84 x 5.91	Clear	250 x 175 9.84 x 6.89	Q2518PE	223 x 148 8.78 x 5.83	235 x 160 9.25 x 6.30	136 5.35	100 3.94	139 5.47	202 7.95	215 8.46



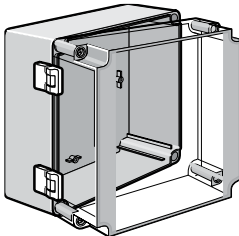


Self-tapping Brass Inserts fit into molded pads in the bottom of the enclosure. Inserts have an M2 internal machine screw thread and M4 self-tapping external thread.

**BULLETIN: Q41Y**

Catalog Number	Description	Qty. Pkg.
QEBI	M2 thread inserts	4

**HINGE KIT**



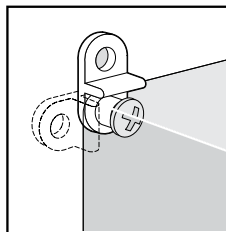
Includes two polyamid hinges, eight M4 self-tapping zinc-plated screws, eight flat washers and drilling template. Use on all QLINE E enclosures.

*Kit might not meet Type 4 requirements and should, therefore, be verified by customer.*

**BULLETIN: Q41Y**

Catalog Number
QDEHK

**MOUNTING BRACKET KIT**

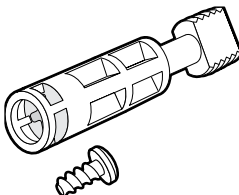


Kit includes four polycarbonate brackets and four M4 self-tapping, plated screws. Use on all QLINE E enclosures. No modification to the enclosure is required for installation. Maintains listed ratings.

**BULLETIN: Q41Y**

Catalog Number
QEMFK

**HARDWARE KIT**

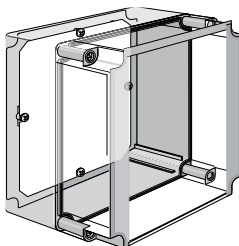


Four cross-point polyamide cover screws and four self-tapping plated screws used to mount optional panels, rails and other components. This kit is offered as a replacement kit for lost or damaged hardware originally furnished with the enclosure.

**BULLETIN: Q41Y**

Catalog Number	Description	Fits QLINE Enclosure
QEHK35	35-mm screw	when C = 67 mm, 117 mm or 142 mm
QEHK60	60-mm screw	when C = 92 mm

**PANELS**



**BULLETIN: Q41Y**

Catalog Number	Panel Size D x E mm/in.
Q138PE	98 x 48 3.86 x 1.89
Q1313PE	98 x 98 3.86 x 3.86
Q1813PE	148 x 98 5.83 x 3.86
Q1818PE	148 x 148 5.83 x 5.83
Q2518PE	223 x 148 8.78 x 5.83

Notes