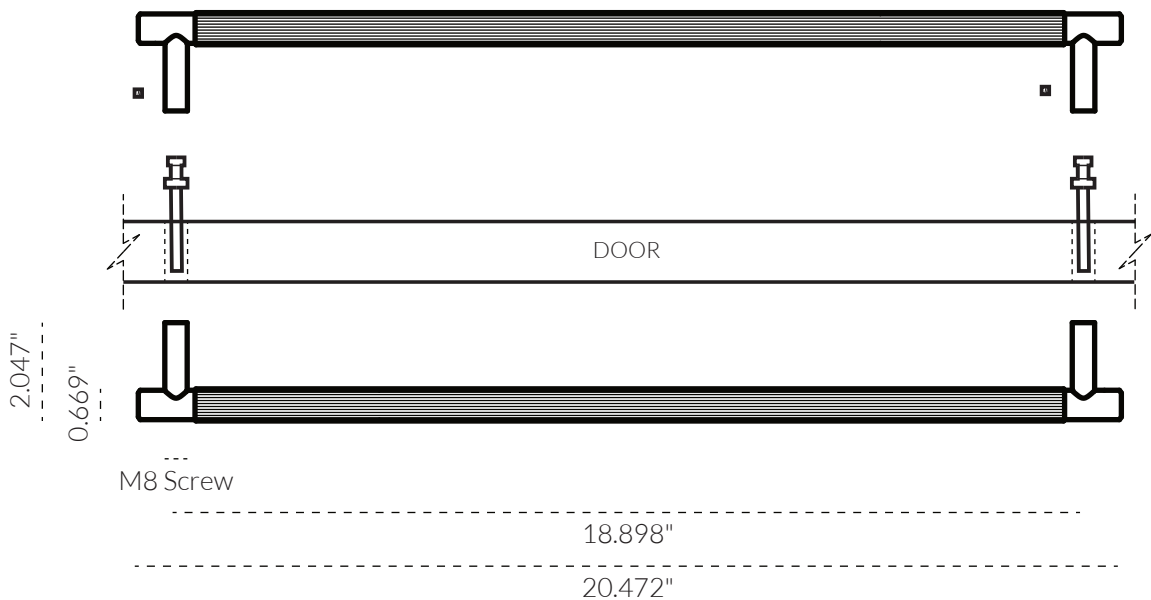

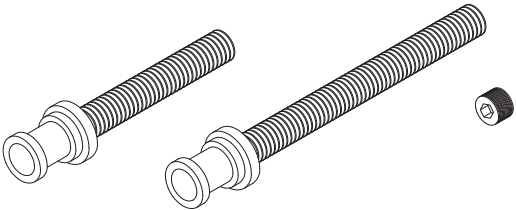







LINEAR ENTRY PULL

TECH SPEC

SPECIFICATIONS



FINISH	SKU	FIXINGS ALSO INCLUDED
 Natural Brass	4075BB-520-US4	<ul style="list-style-type: none"> - 2x M8 * 1.575" Shoulder Screw - 2x M8 * 2.756" Shoulder Screw - 2x M4 Grub Screw 
 Aged Brass	4075BB-520-AB	
 Bronze	4075BB-520-BR	
 Brushed Nickel	4075BB-520-BN	
 Matte Black	4075BB-520-US19	
 Matte White	4075BB-520-W	

CARE INSTRUCTIONS

Wipe with damp cloth and avoid using any chemicals.