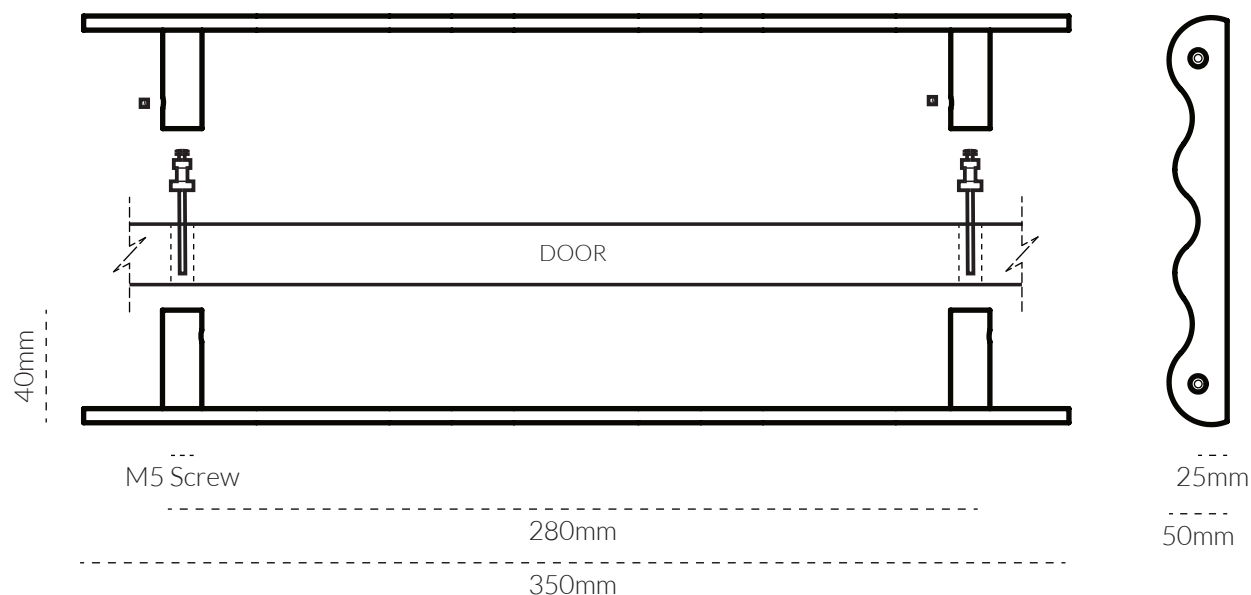

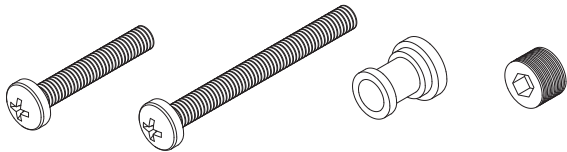








KARU ENTRY PULL 350MM

TECH SPEC

SPECIFICATIONS



FINISH	SKU	FIXINGS ALSO INCLUDED
 Natural Brass	4074BB-350-US4	<ul style="list-style-type: none"> - 2x M5 * 25mm Shoulder Screw - 2x M5 * 40mm Shoulder Screw - 2x M4 Grub Screw 
 Aged Brass	4074BB-350-AB	
 Tumbled Brass	4074BB-350-TB	
 Bronze	4074BB-350-BR	
 Brushed Nickel	4074BB-350-BN	
 Matte Black	4074BB-350-US19	
 Matte White	4074BB-350-W	

CARE INSTRUCTIONS

Wipe with damp cloth and avoid using any chemicals.