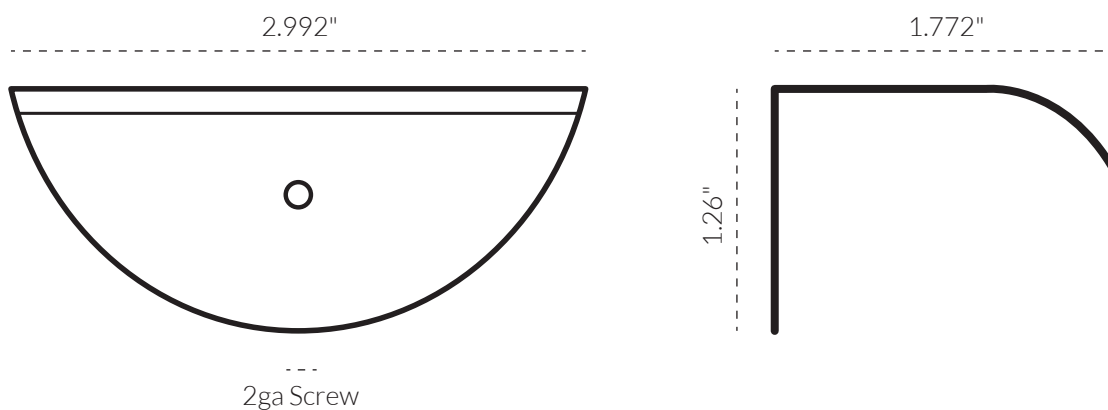



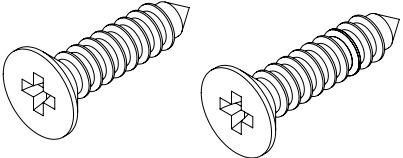





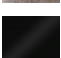



## CARLISLE PULL SMALL

### TECH SPEC

#### SPECIFICATIONS



FINISH	SKU	FIXINGS ALSO INCLUDED
 Natural Brass	4045-80-US4	<ul style="list-style-type: none"> <li>- 1x 2ga * 0.591" Timber Screw</li> <li>- 1x 2ga * 0787" Timber Screw</li> </ul> 
 Aged Brass	4045-80-AB	
 Tumbled Brass	4045-80-TB	
 Bronze	4045-80-BR	
 Brushed Nickel	4045-80-BN	
 Tumbled Nickel	4045-80-TN	
 Matte Black	4045-80-US19	
 Matte White	4045-80-W	

#### CARE INSTRUCTIONS

Wipe with damp cloth and avoid using any chemicals.