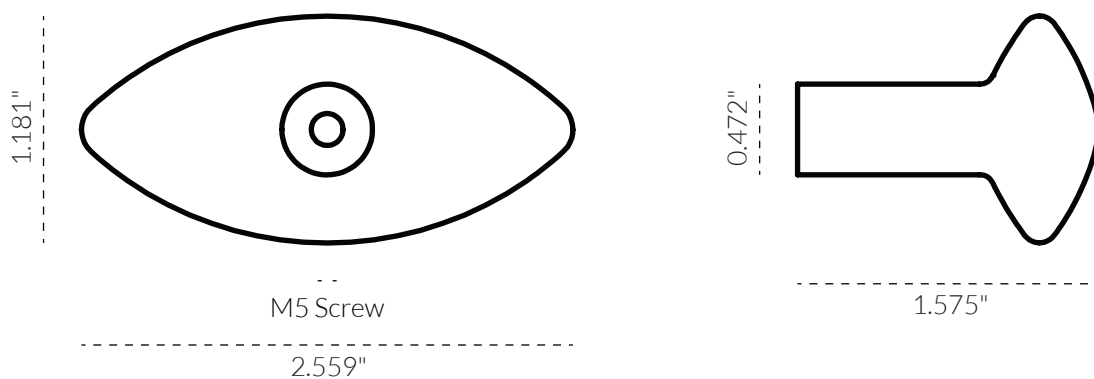



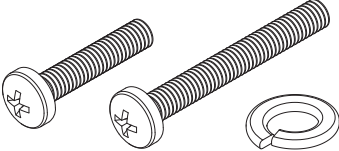









# ALMOND KNOB LARGE

## TECH SPEC

### SPECIFICATIONS



FINISH	SKU	FIXINGS ALSO INCLUDED
 Natural Brass	<b>4079-65-US4</b>	<ul style="list-style-type: none"> <li>- 1x M5 * 0.984" Screw</li> <li>- 1x M5 * 1.575" Screw</li> <li>- 1x M5 Spring Washer</li> </ul> 
 Aged Brass	<b>4079-65-AB</b>	
 Tumbled Brass	<b>4079-65-TB</b>	
 Bronze	<b>4079-65-BR</b>	
 Brushed Nickel	<b>4079-65-BN</b>	
 Tumbled Nickel	<b>4079-65-TN</b>	
 Matte Black	<b>4079-65-US19</b>	
 Matte White	<b>4079-65-W</b>	

### CARE INSTRUCTIONS

Wipe with damp cloth and avoid using any chemicals.