



**MANUAL SERVICE
PARTS LIST**

MODEL: HLT-370 V
SELF-CONTAINED PRESSURE WASHER



SERVICE

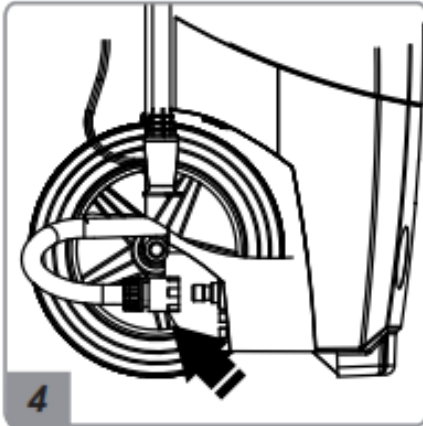
TABLE OF CONTENTS

RECOMMENDATIONS	2
DIRECT CONNECTION TO WATER SUPPLY	3
OPERATION	3
PRESSURE WASHER SET-UP	4
WATER SUPPLY REQUIREMENTS	4
MAINTENANCE	5
TROUBLESHOOTING	6
EXPLODED VIEW HL-370	7
PART LIST HL-370	8
EXPLODED VIEW ENGINE, HEAD AND OIL TANK HLT-370 V	9
PARTS LIST ENGINE, HEAD AND OIL TANK HLT-370 V	9

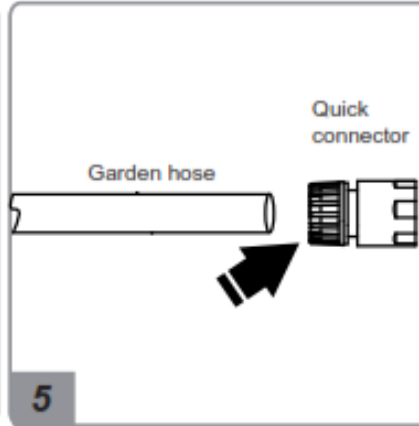
RECOMMENDATIONS

- Always disconnect electricity and water supplies (if a garden hose is being used) on completion of every job.
- Keep water circulating constantly through appliance. Do not let appliance work without water.
- Do not use or store appliance in a frozen environment. Frozen water will damage it.
- Do not use appliance if any part of is damaged.
- Appliance has been designed to work with water only. Do not use chemicals, gasoline, acids, or any corrosive substance.
- These are highly flammable and they will also damage appliance.
- Vehicles' tires and valves must be washed from a 3 foot distance to avoid damage to them. If a tire looks discolored, it could be damage and must be checked.
- Do not use appliance to clean objects containing health -hazardous substances such as asbestos.
- Jets of water must never be pointed at people, animals, electrical equipment or appliances itself. Pressure at high levels is very dangerous and presents severe health hazard.
- Never use appliance with people in the vicinity unless they are wearing protective clothing.
- Never use close to children or pets.
- Use only hoses, accessories and high pressure couplings recommended by Koblenz.
- Whenever the use of appliance is interrupted, it is important to operate the safety button to prevent accidental activation of trigger.
- Never store the appliance with water inside container.
- Do not exceed 8 gallon of water inside container.

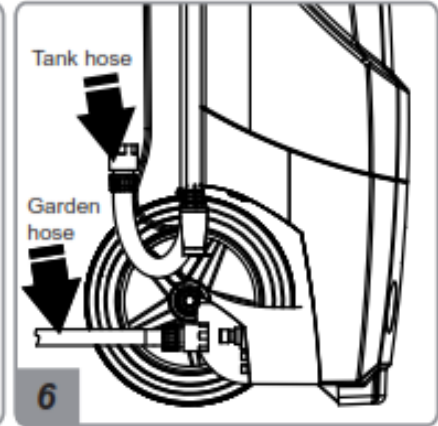
DIRECT CONNECTION TO WATER SUPPLY



4 Disconnect tank hose from pressure washer. Fig.4

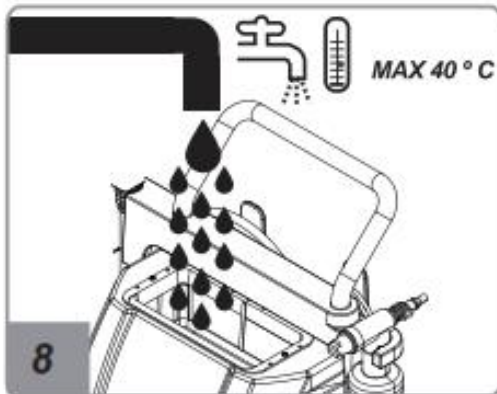


5 Connect quick connector to garden hose, previously connected to water supply. Fig.5



6 Connect garden hose with quick connector, to water inlet connector (on back to pressure washer) and then insert firmly and check for leaks. Fig. 6

OPERATION



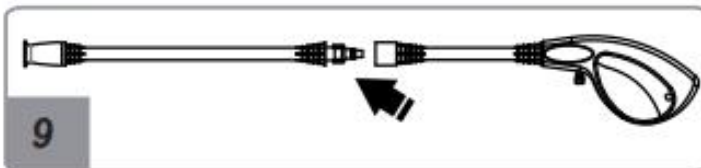
1.- Fill water tank. Fig. 8
Tank capacity: 8 gallon



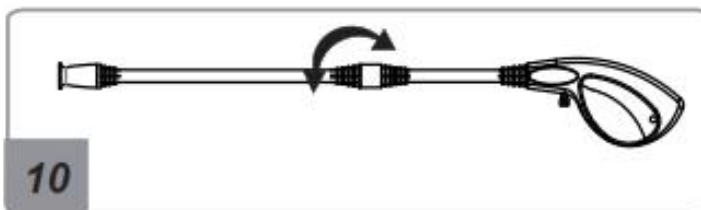
Recommendation for better management of the appliance, pull rather than push, avoiding accidents with water, thus facilitating transport.

2.- Once prime realized.

3.- Connect washer plug to Power supply and press the On/off switch to the On position.



4.- Push in the lance into the gun and turn it until the two parts are completely locked. Fig. 9-10



5.- Hold washer gun and press the trigger and at the same time, turn the appliance on and adjust the spray gun to the desired position.
Pressure washer is now ready for use.



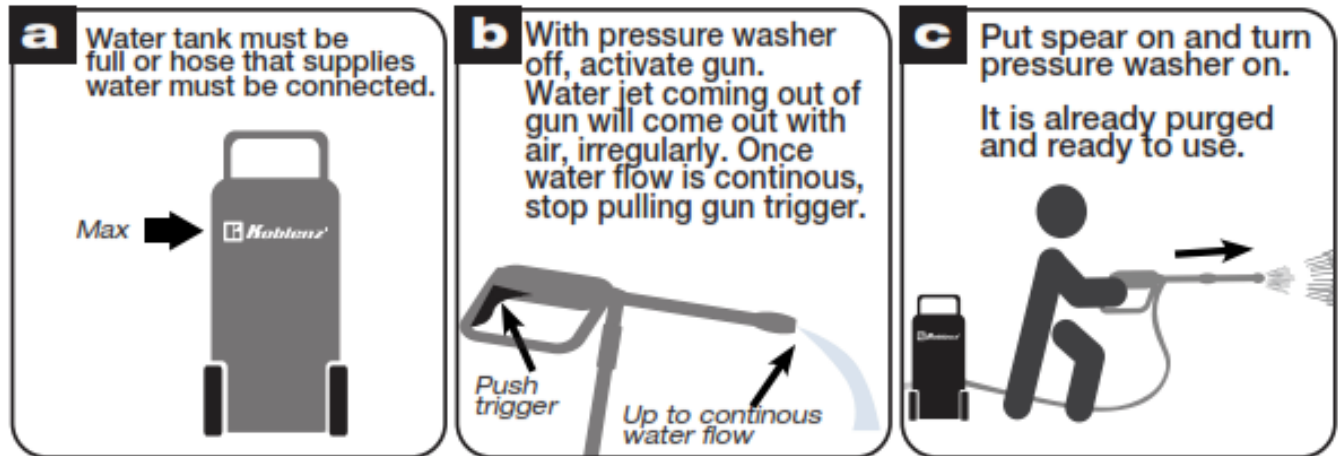
WARNING!
Temperature of incoming water supply must not exceed 40° C.

PRESSURE WASHER SET-UP

Your pressure washer machine is designed to perform deep and efficient cleaning. In order to get the best performance, please follow these steps:

STEP 1. Ensure that water container is full before each use.

STEP 2. Prime pressure washer before each use.



Failure to follow these steps will result in severe mechanical damage and void the warranty.

WATER SUPPLY REQUIREMENTS

- Min water flow: 12 l/min. (When connected directly to a garden hose)
- Water should be free of dirt particles.
- Max water temperature 40 °C.
- Max water pressure entrance: 7 bar. (700 kPa)

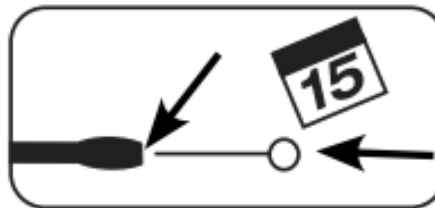
Severe damage can occur to the water pump by not following these instructions, as well as the warranty being void.

⚠ CAUTION: Unplug power cord before performing any maintenance on it.

1. Turn appliance off.
2. Unplug line cord from power outlet.
3. Empty water tank by disconnecting the quick connector then, using a pin push the quick connector to open the check valve.
4. Press trigger to release water pressure.
5. Push safety button on trigger.
6. Disconnect water hose from appliance.
7. Clean filter.
8. Store appliance in a place where there is no risk of freezing.
9. In a case of leaving it unused for long periods of time, press trigger and turn appliance on at the same time, and let water run for a few minutes.



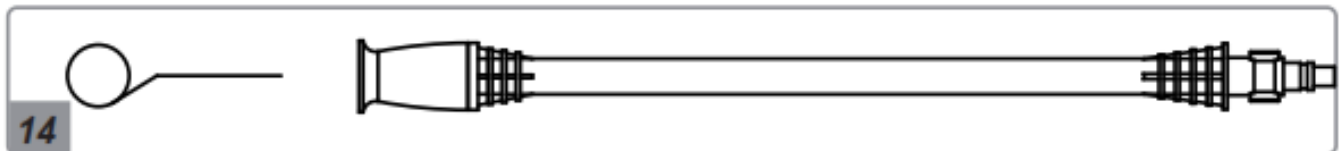
TIP 1.
Always make sure that water connector is placed and clean.



TIP 2.
Clean up lance at least every 15 days.



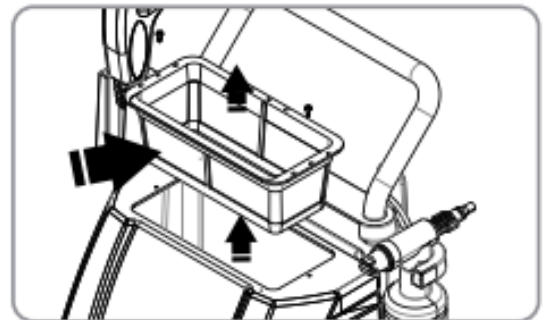
TIP 3.
After each use, release pressure from machine and empty the water container.



Cleaning of nozzle before each use is important. Use pin cleaner (provided with machine). Fig. 14

Filter for water inlet should be cleaned at least every 15 days or when it becomes necessary.

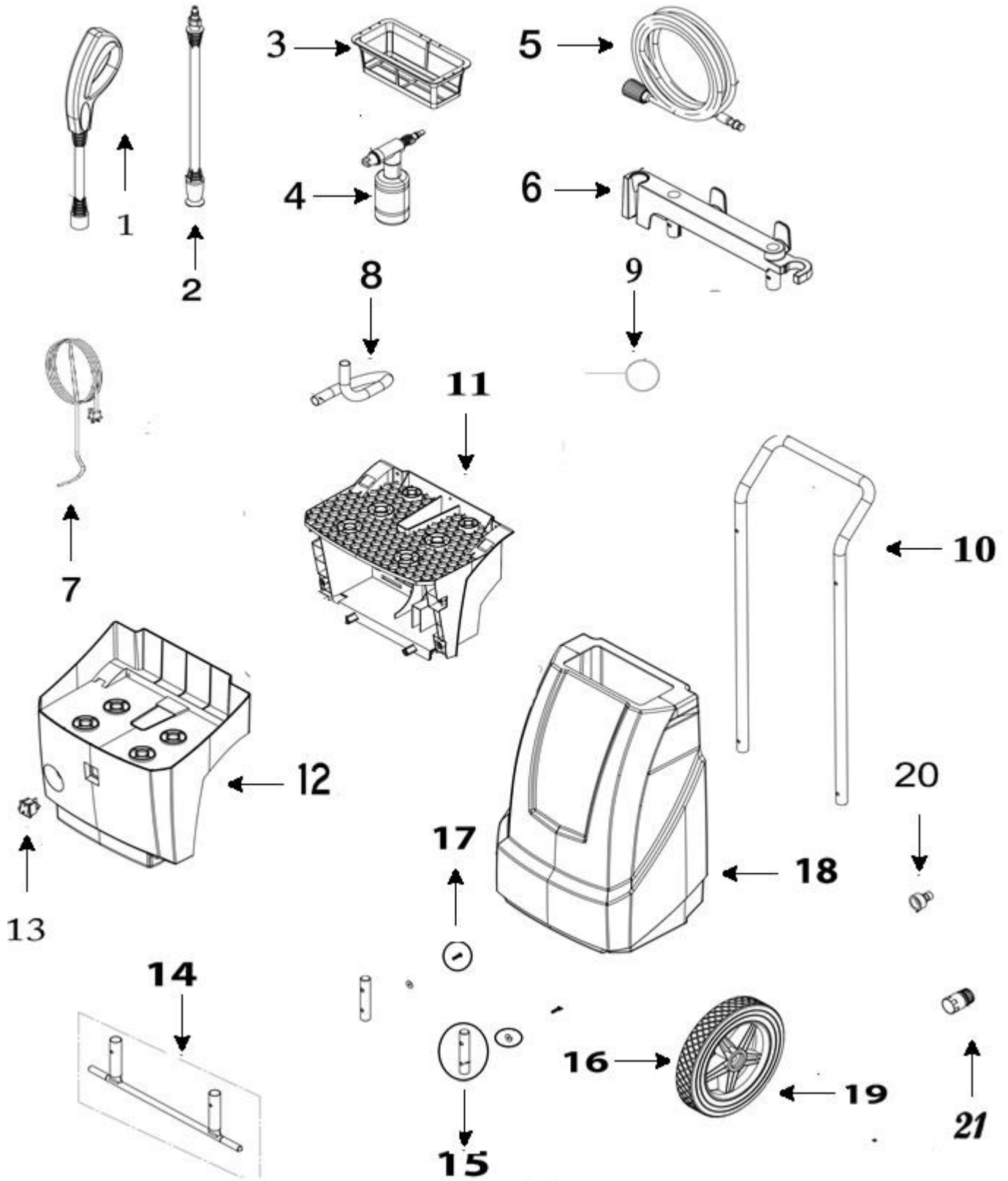
- Take out screws of the filter.
- Take out the water filter.
- Rinse filter with lukewarm water, if the filter screen is broken it must be replaced.
- Reassemble components.



TROUBLESHOOTING

PROBLEM	POSSIBLE CAUSE	SOLUTION
The appliance does not turn on when the switch is pressed	The plug is not properly connected to the socket.	Connect the plug to the powersocket correctly
	There is no voltage or is insufficient.	Check that the power returns to the normal voltage.
	The trigger is not being pressed.	Turn the appliance on while keeping the trigger pressed.
	Pistons stuck.	Disassemble head, clean and lubricate.
No water comes out/Uneven pressure	Pressure washer has trapped air inside.	Follow prime instructions
	There is not water supply.	Make sure that water hose is connected to the appliance and that the water supply is turned on.
		Make sure that there is water inside the tank
	The water supply is low or inadequate.	Clean the water filter.
		Make sure the hoses have no folds or knots.
The high pressure nozzle is dirty.	Remove the nozzle and clean.	
Water leaks	Fissured hose.	Replace hoses.
	Damaged seals.	Replace seals.
	Damaged head.	Replace head.
	Fissured gun/lance.	Replace gun/lance.

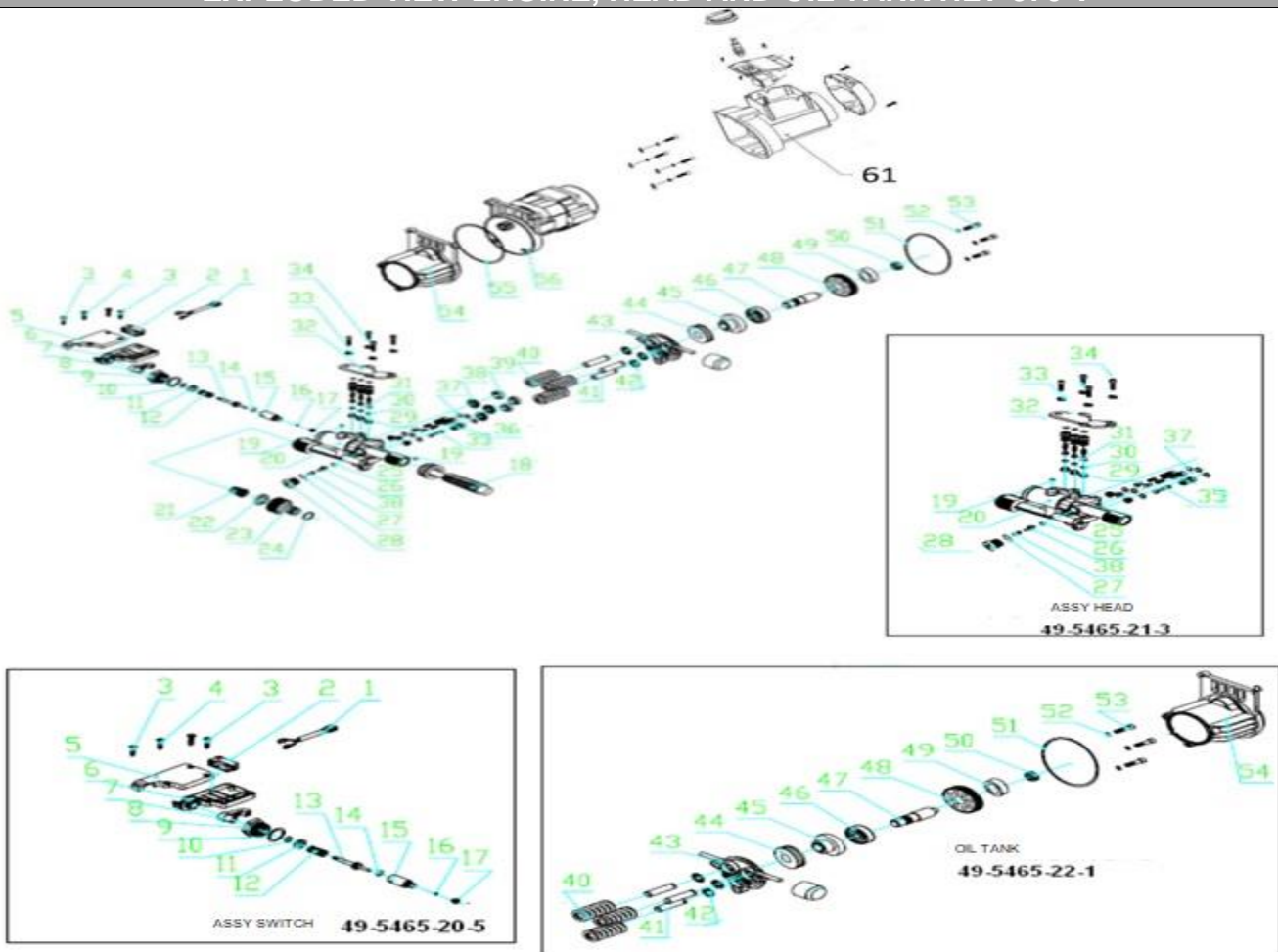
EXPLODED VIEW HLT-370 V



PARTS LIST HLT-370 V

ITEM	No. PART	DESCRIPTION	QUANTITY
1	45-0984-00-0	GUN	1
2	45-0983-00-2	LANCE	1
3	76-0400-2	FILTER	1
4	49-5466-14-6	DETERGENT BOTTLE	1
5	45-0989-00-9	PRESSURE HOSE	1
6	13-4224-00-5	TOOL CADDY	1
7	45-0986-00-5	POWER CORD 10 M	1
8	12-1225-00-7	INTERCONNECTION HOSE	1
9	05-5693-00-6	WIRE FOR LANCE	1
10	05-5691-00-0	BLACK HANDLE	1
11	13-4223-00-7	BACK COVER	1
12	13-4222-00-5	FRONT COVER	1
13	49-5995-05-2	SWITCH	1
14	23-1015-01-7	ASSY. CHASSIS	1
15	25-1022-00-6	INSERT FOR HANDLE	2
16	72-0853-1	WASHER FL#10X.518	2
17	01-1818-2	SCREW CAB. GOTA #10-24 X 3/4 INOX	2
18	13-4221-00-1	WATER TANK	1
19	27-0301-01-3	WHEEL	2
20	49-4741-2	MALE CONNECTOR	1
21	49-5451-7	FEMALE CONNECTOR	1

EXPLODED VIEW ENGINE, HEAD AND OIL TANK HLT-370 V



PARTS LIST ENGINE, HEAD AND OIL TANK HLT-370 V			
Ítem	No PART	DESCRIPTION	QUANTITY
21	49-5465-8	Filter	1
38	49-5465-01-5	Water trap	3
39	49-5465-02-3	Oil seal	3
44	49-5465-03-1	Bearing kit	1
55	49-5465-04-9	O´ring seal	1
1 al 17	49-5465-20-5	Assy switch	1
40 a 54	49-5465-22-1	Oil tank	1
19 a 35	49-5465-21-3	Assy head	1
56	49-5465-05-6	Motor	1
61	49-5995-04-5	Motor cover	1



Koblenz®

WHEN YOU ORDER

DONT´T FORGET SPECIFY

- PART NUMBER
- DESCRIPTION
- MODEL

NOTE:

THE NUMBERS OF THE DRAWINGS ARE ONLY FOR INDETIFICATION PURPOSES

AFTER-SALES SERVICE

Thorne Electric Co.
P. O. Box 18363
San Antonio, TX 78218-0363
Phone: (210) 590-1226
1 (800) 548-5741

THORNE ELECTRIC Co.
E-mail: customerservice@thorne-electric.com

SERVICE