

 **Assembly Instructions**

*Riley Hopkins*<sup>®</sup>  
**300**





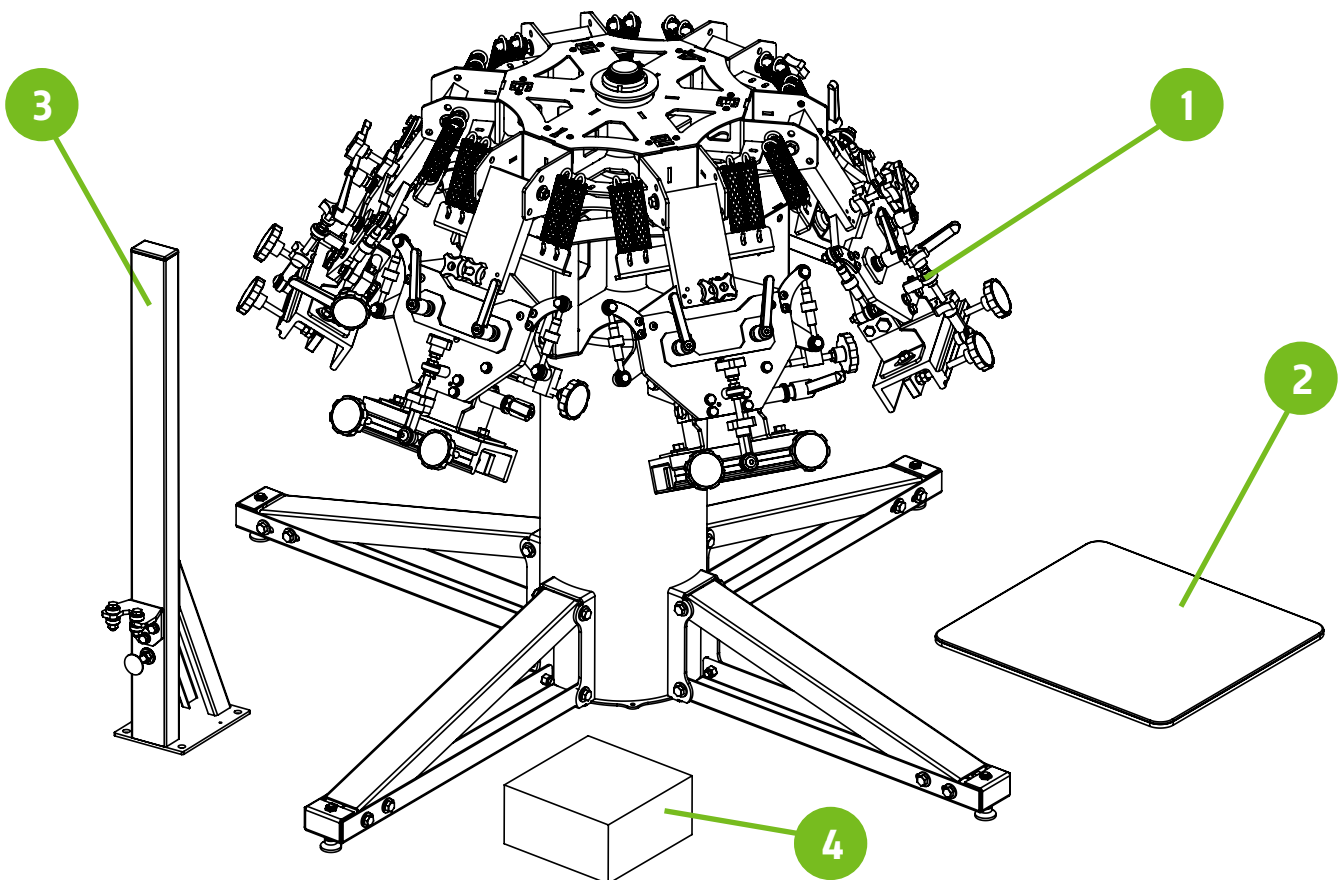


## Tools Required:

- Two 9/16" wrenches
- Hammer

What's in the box

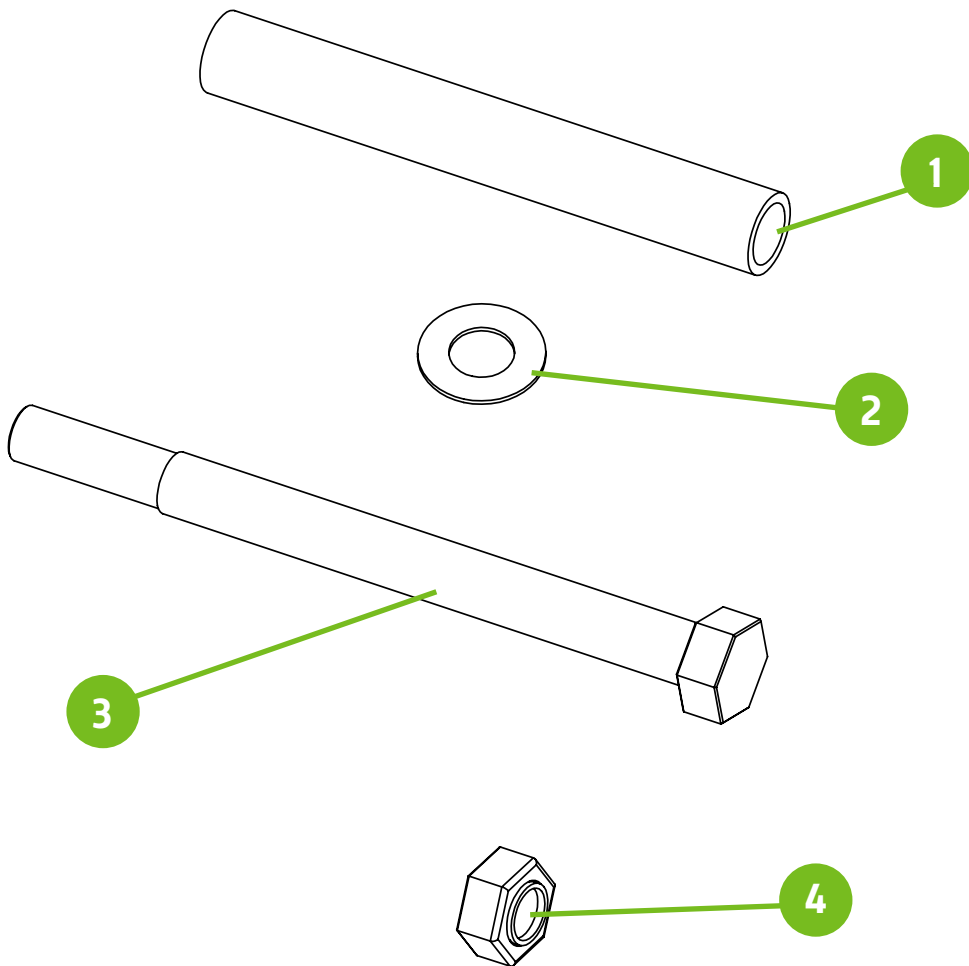
Tag	Item	Qty.
1	Main Press core assembly	1 per unit
2	16" x 18" Aluminum platen with rubber top	1 per station
3	Print station assembly	1 per station
4	Print station & bumper bolt hardware	1 per station / color



# PRSA-RHCLRARMKIT

Riley Hopkins Print head bumper assembly

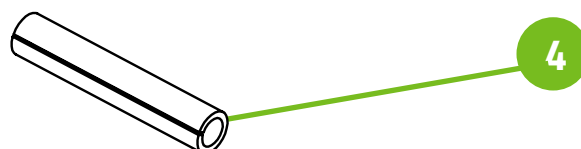
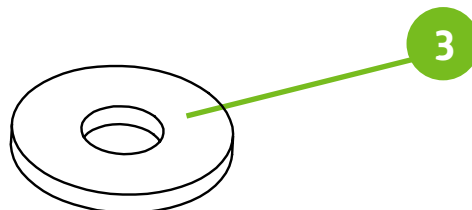
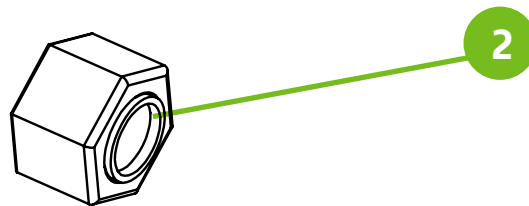
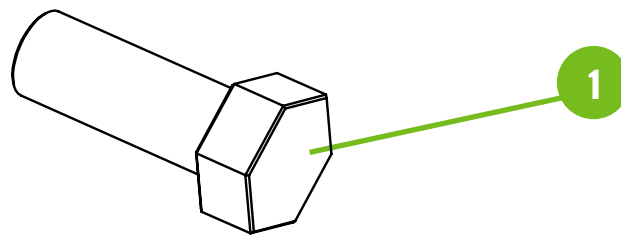
Tag	Name/ID	Description	Qty.
1	PRCO-BMPRBLTCVRBLU	Air Hose for Riley print head bump stops 3-1/2" long	2
2	PRHD-WA5/16USSGR5ZC	5/16 USS Flat Washer Zinc	4
3	PRHD-HC3/8NF4-1/2GR5ZC	3/8-24 x 4-1/2" Hex Cap Screw grade 5 Zinc	2
4	PRHD-LNYN3/8NFGR5ZC	3/8-24 Lowpro Nyloc Nut	2



# PRSA-RHPSKIT

Riley Hopkins WIN series Print station Hardware

Tag	Name/ID	Description	Qty.
1	PRHD-HC3/8NC1GR5ZC	3/8-16 X 1 Hex Cap Screw Grade 5 Zinc	4
2	PRHD-NYN3/8NCGR5ZC	3/8-16 Nyloc Nut Zinc	4
3	PRHD-WA5/16USSGR5ZC	5/16 USS Flat Washer Zinc	8
4	PRHD-RP3/16X1ZC	3/16 x 1 Roll Pin Zinc	2



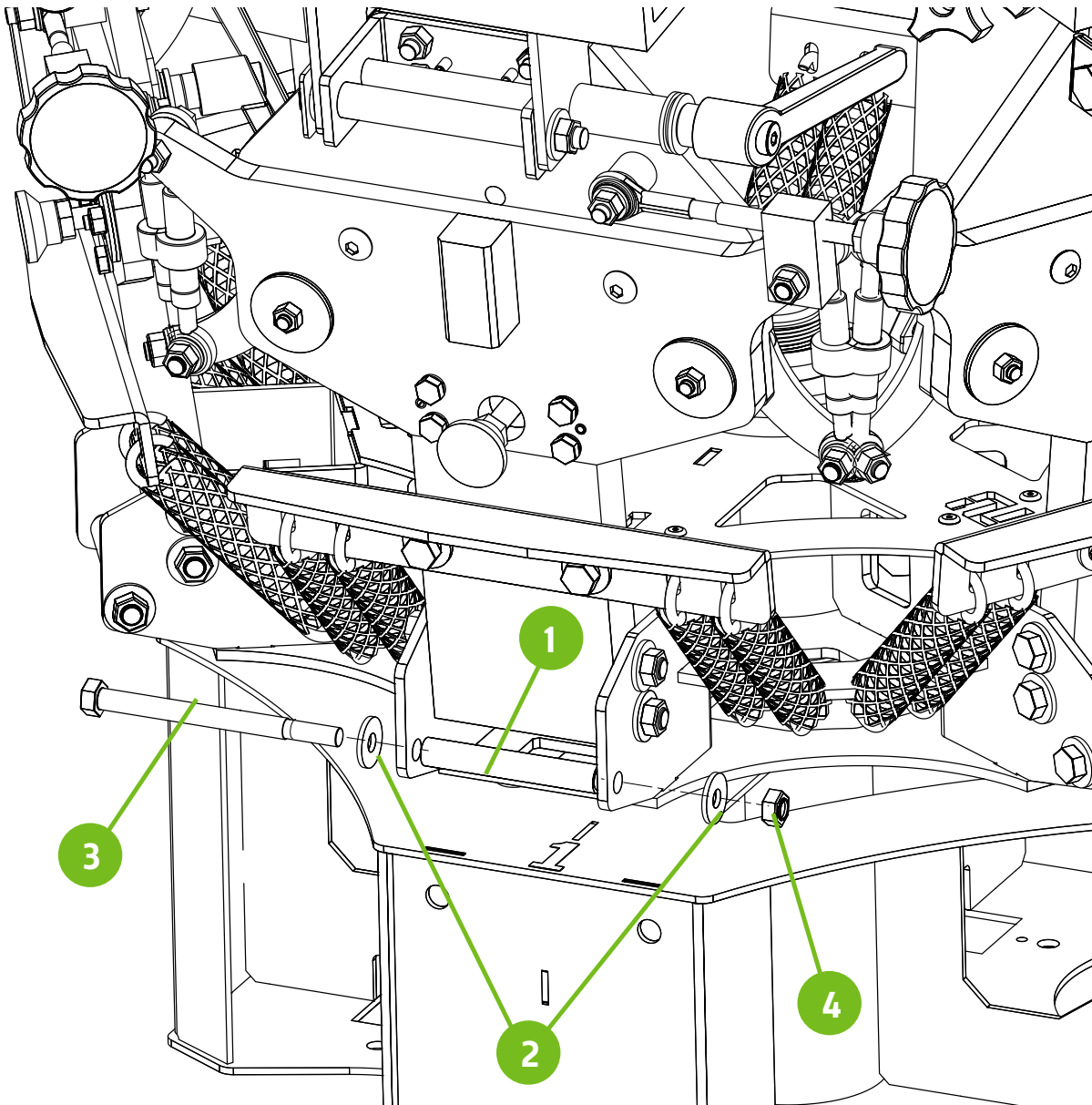
# STEP 1

Install the lower bumper bolt assemblies. Do not overtighten hardware. Tighten just enough to hold in place.

**NOTE:** Refer to page 2 for hardware detail

## /// CAUTION! ///

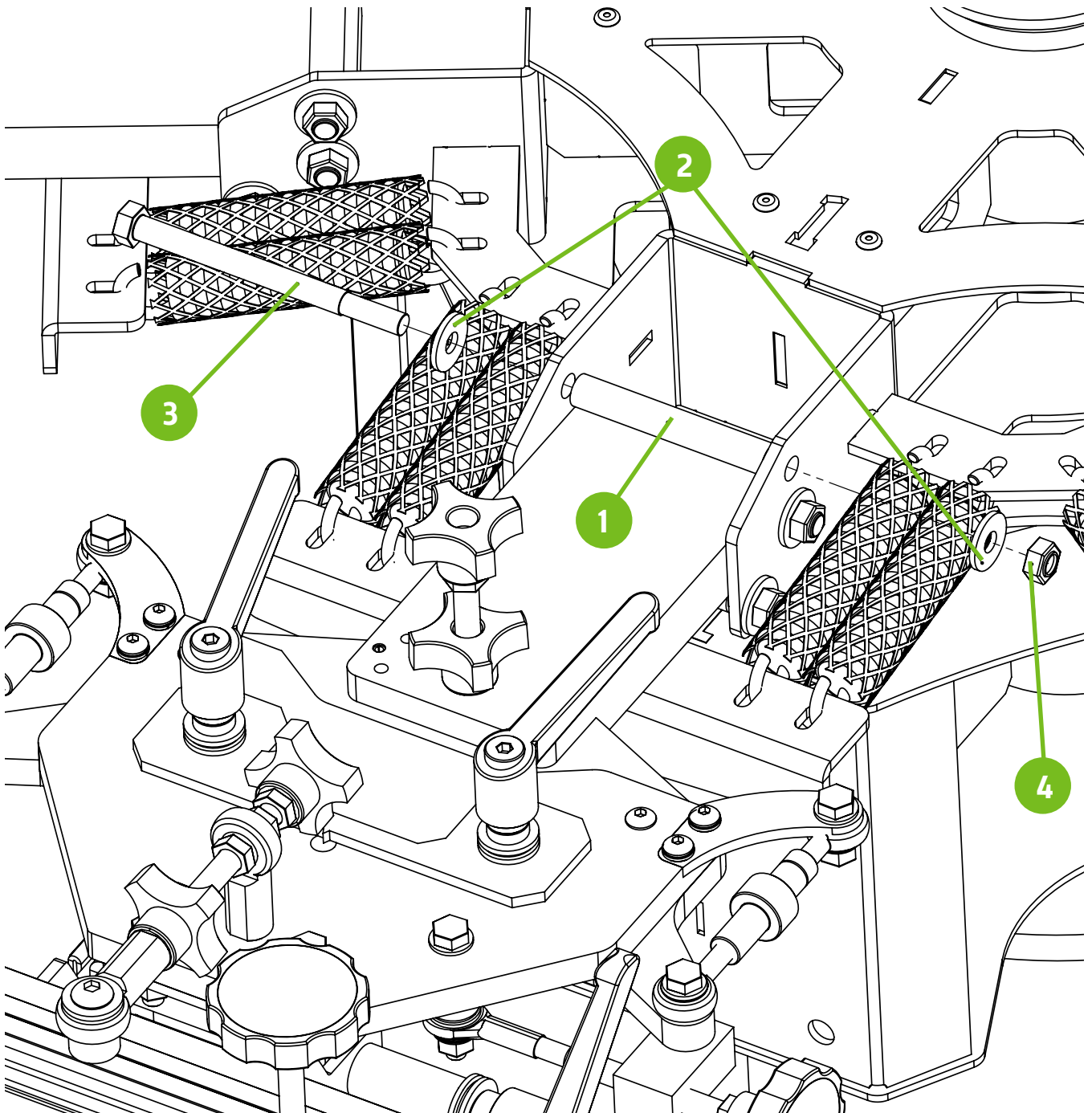
Before dropping the print heads, ensure that spring hooks are engaged in the slots. The hooks must be facing upward. **WARNING: EXTREME FORCE. INSTALL WITH CAUTION!**



## STEP 2

Install the Upper bumper bolt assemblies. Do not overtighten hardware. Tighten just enough to hold in place.

**NOTE:** Refer to page 2 for hardware detail

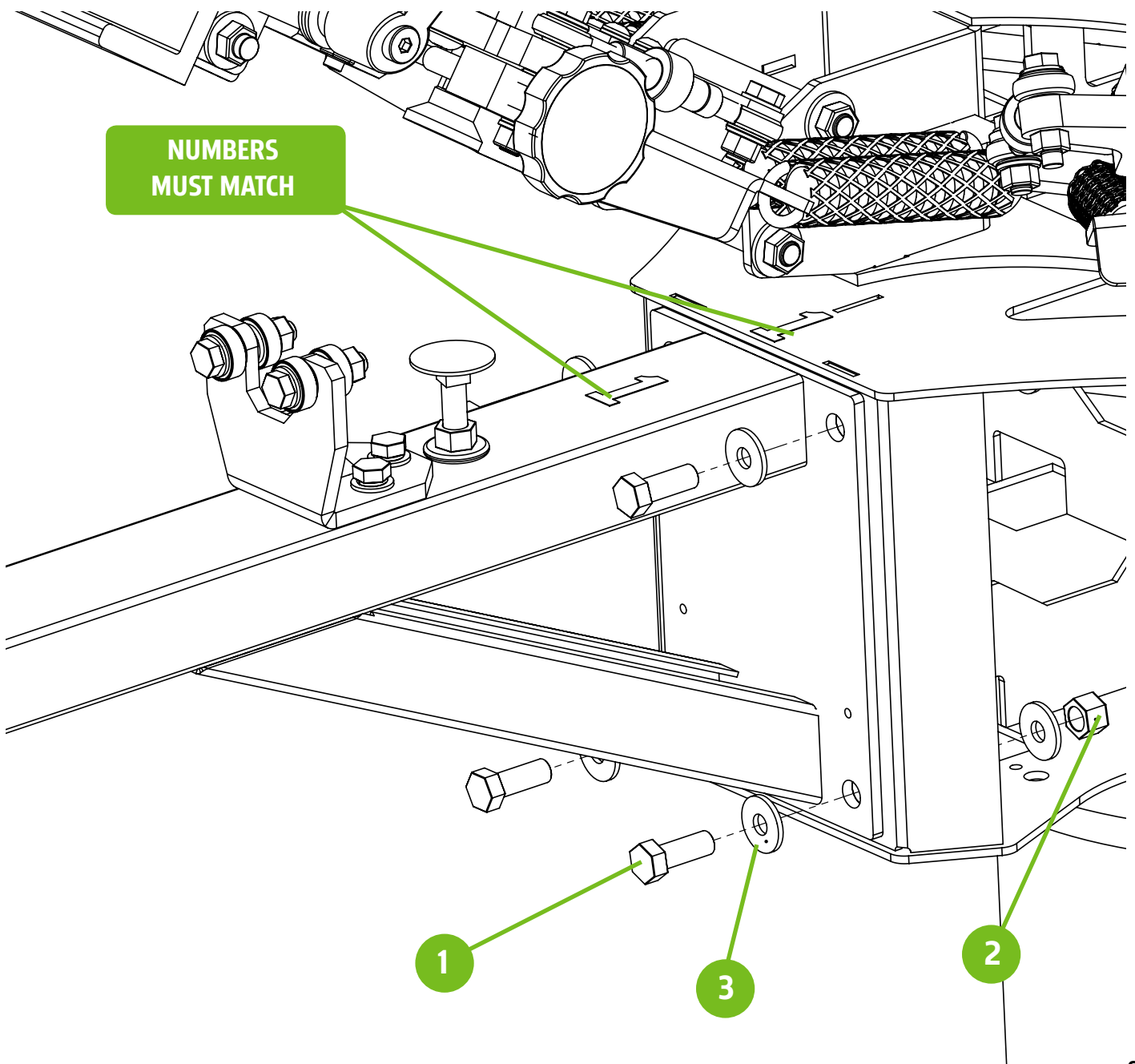


## STEP 3

Install the print stations with supplied hardware. Ensure the number on the print station matches the number on the center rotary. Failure to do so, will shift the platens out of alignment.

Do not fully tighten at this time. They must be snug but loose enough to adjust with bumps of the hand.

**Note:** Refer to Page 3 for hardware detail.



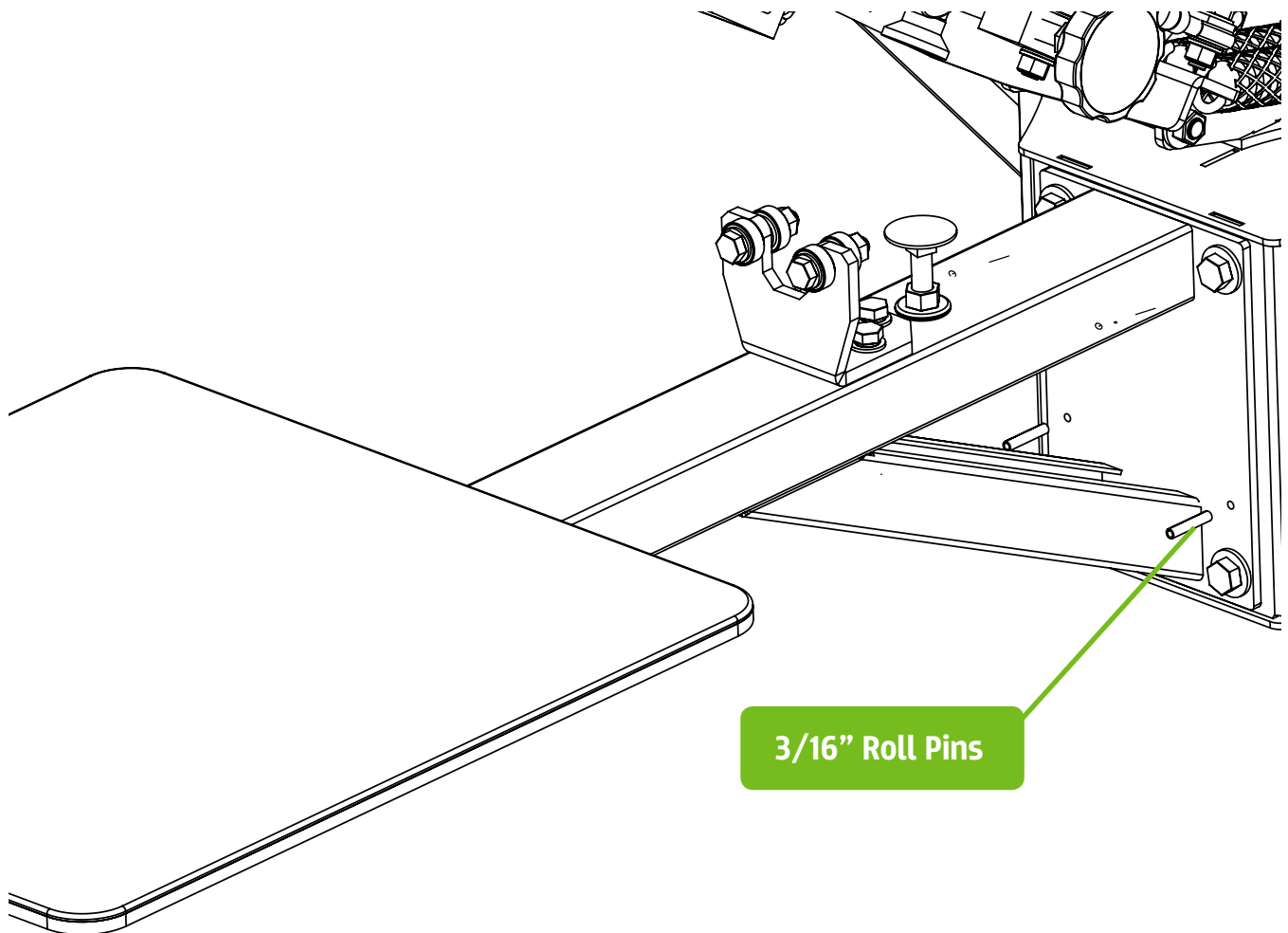


## STEP 4

Install the 3/16" roll pins to locate the print station. Tap print station to align holes visually as close as you can. This is a factory setting that ensures your platens are aligned to each other. Tap them in approx. 1/2" with a hammer.

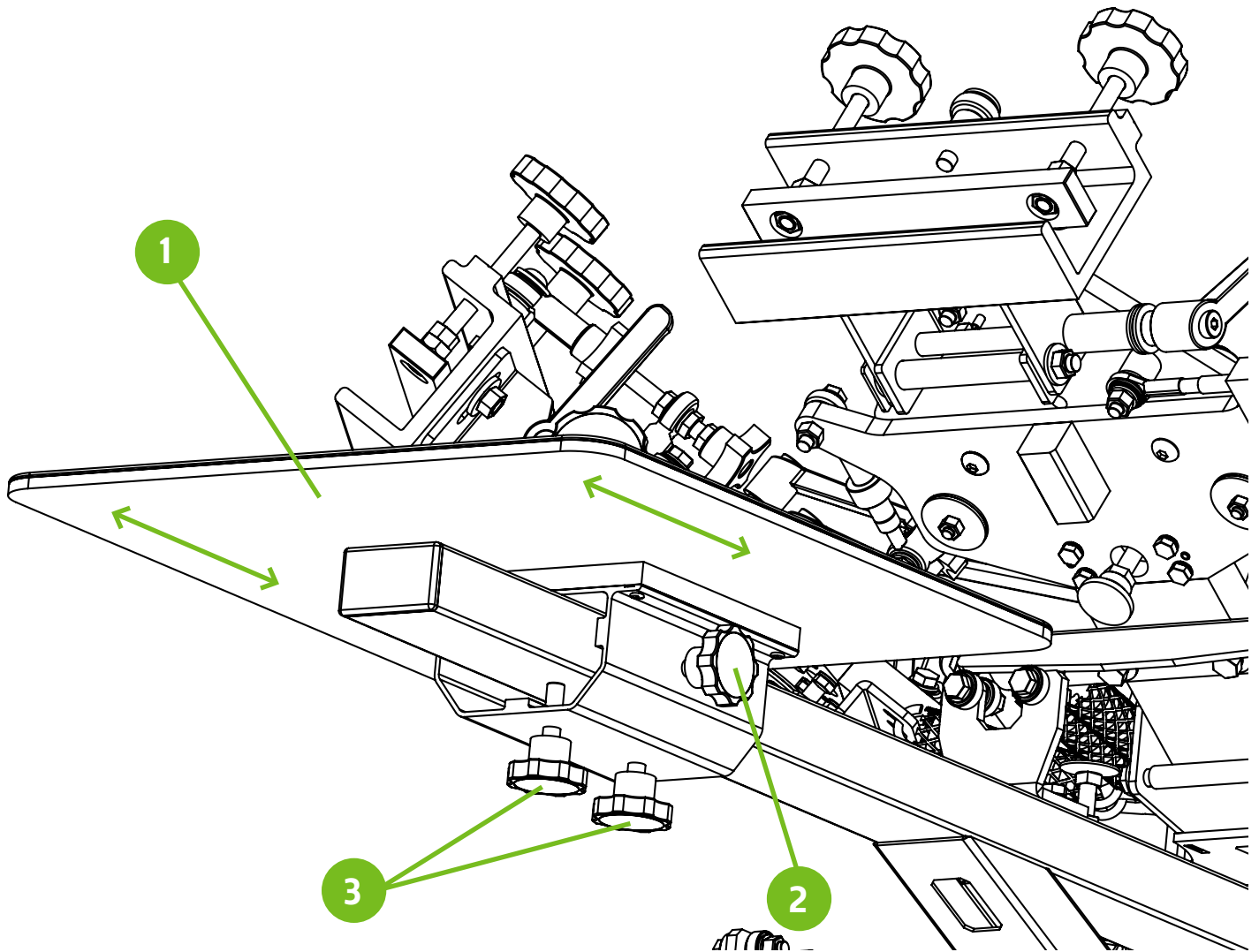
After pins are seated, fully tighten the print station hardware.

**Note:** Refer to Page 3 for hardware detail.



## STEP 5

Install the platens onto the print stations. Set the platen (1) in the desired position. To lock in place, first tighten the side knob (2). Then tighten the lower knobs (3).



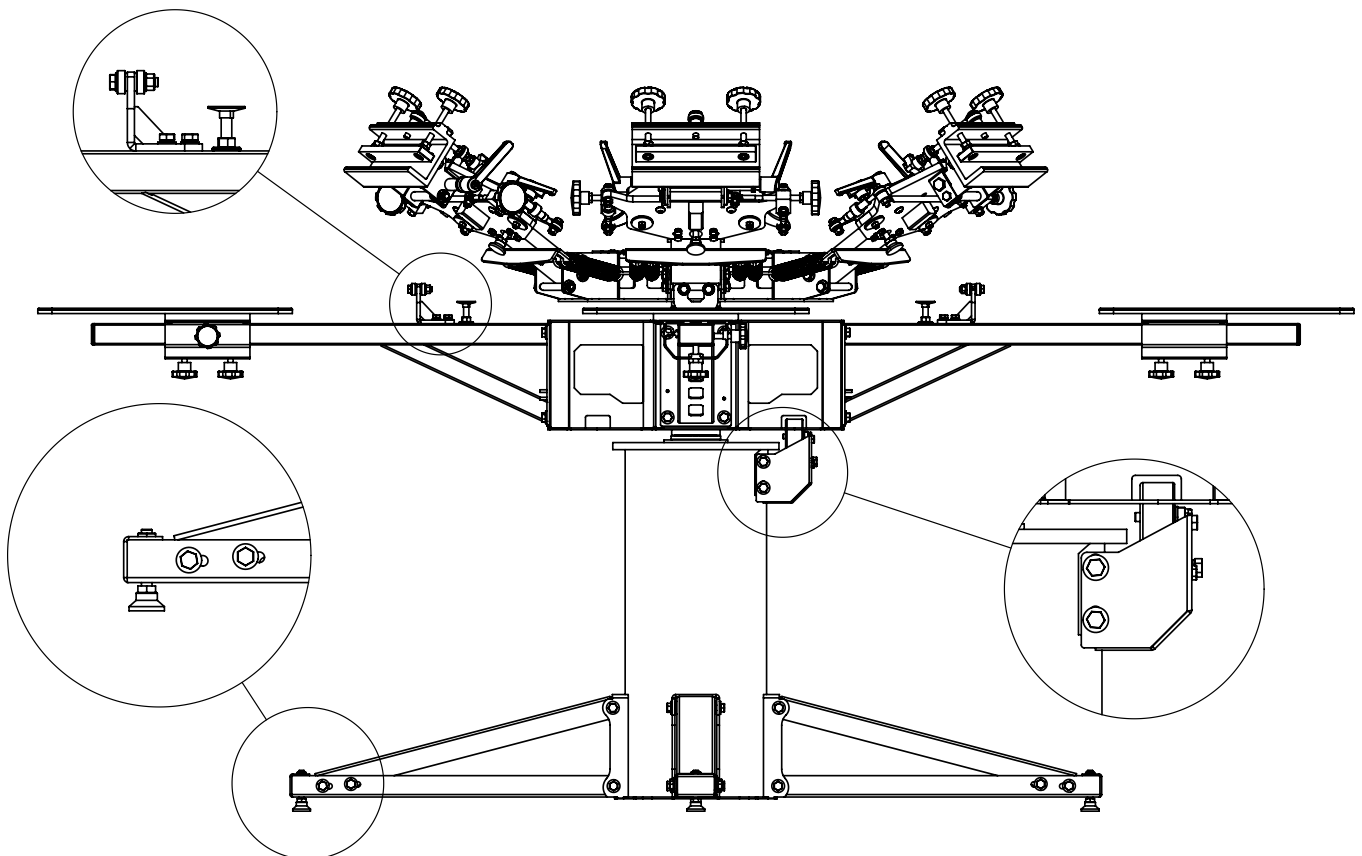
# STEP 6

## Install leveling feet and optional adjustments

For uneven floors, install leveling feet (1) & adjust to stabilize the unit. To increase or decrease tension on the print station detent bracket, loosen 3/8" bolts (2).

Raise detent assembly for higher tension and lower assembly for less tension. See next page for bearing gate adjustment (3).

Tag	Name / ID	Description	Qty.
1	PRHD-LF3/8NC2HD	3/8 X 2" Heavy Duty swivel Leveling foot	4 per unit
2	PRHD-HC3/8NC1GR5ZC	3/8-16 X 1 Hex Cap Screw Grade 2 Zinc	4 per unit
3	PRSA-RH300GATE	Riley 300 Dual Bearing Gate Sub assembly	1 per print station



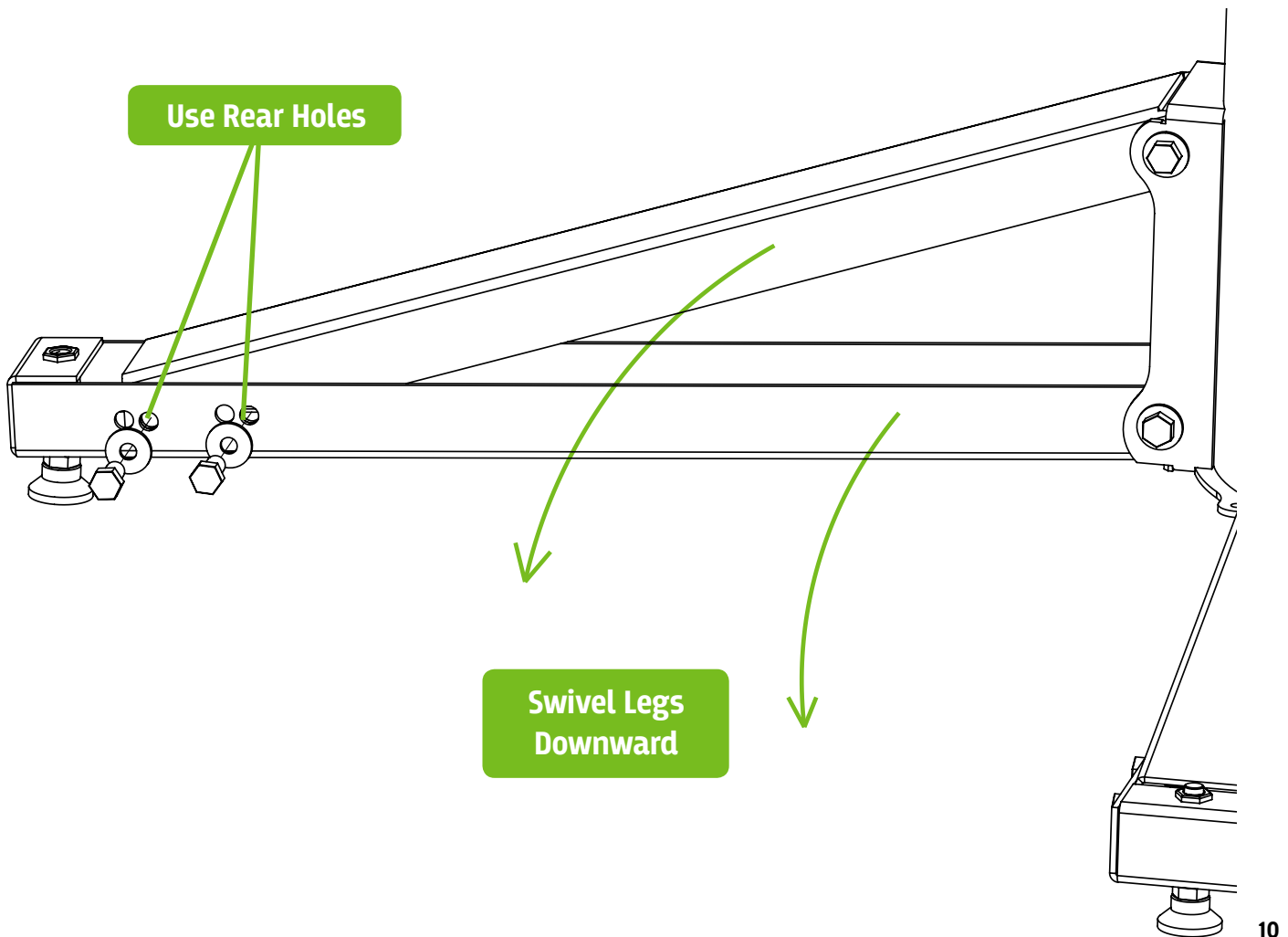
# STEP 7

## Setting the press in High position.

To set up the overall press height plus 2 inches, first remove the hardware in the front of the leg assembly. Swivel leg sections downward to align with the rear set of holes.

Repeat this step for the remaining three leg assemblies.

Tag	Name / ID	Description	Qty.
1	PRHD-HC3/8NC3/4GR5ZC	3/8-16 x 3/4 Plated Hex cap screw	4 per leg
2	PRHD-WA5/16USSGR5ZC	5/16 USS Flat Washer Zinc	4 per leg

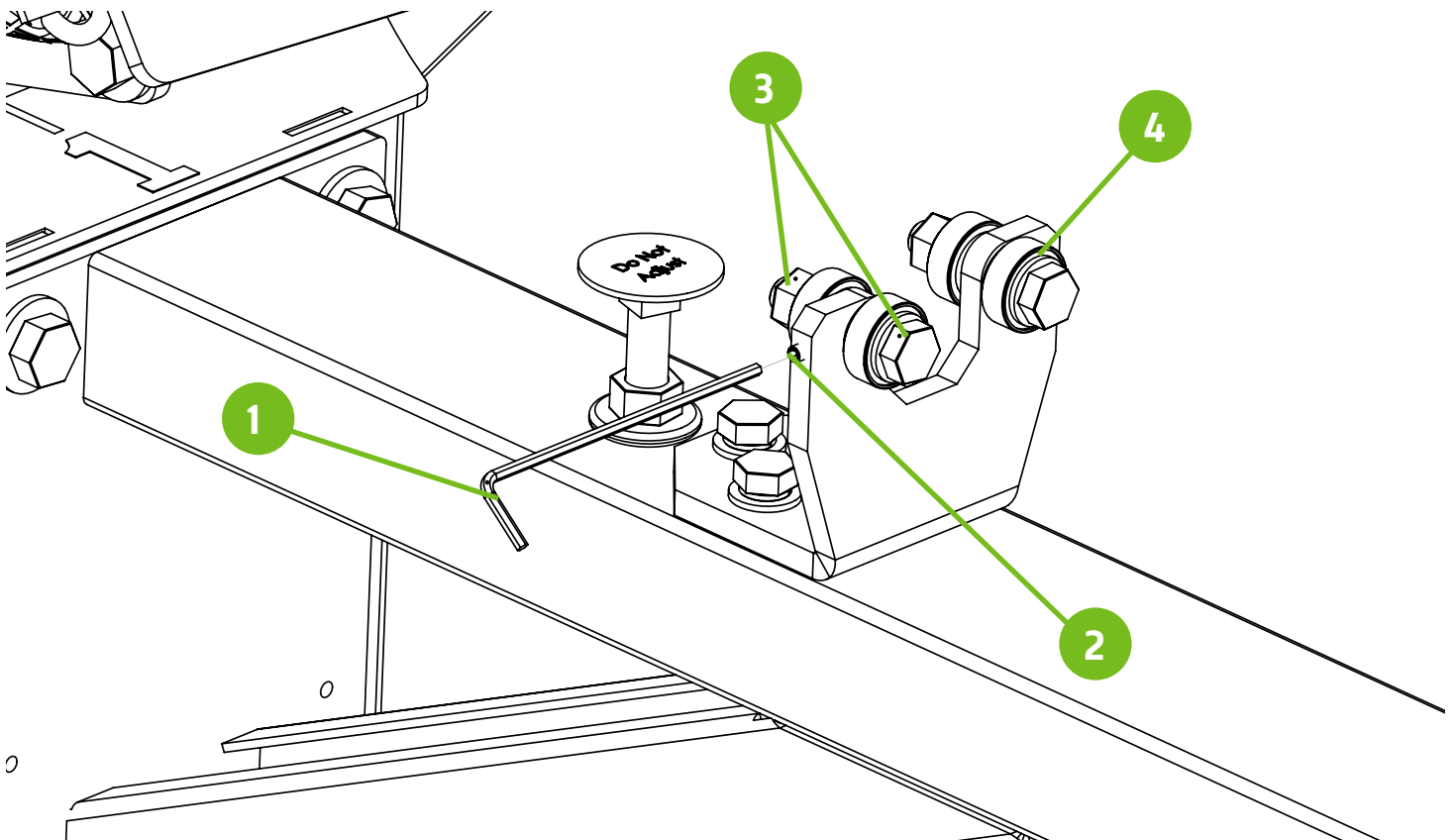


# STEP 8

## Bearing gate adjustment.

To adjust the locking tightness of the bearing gate assembly, first slightly loosen the 5/16" hardware (3) on the set screw side of the gate. To tighten the gate, turn set screw clockwise toward the stud holding bearings. Once in desired position, retighten the 5/16" hardware.

Tag	Name / ID	Description	Qty.
1	PRHD-HXWRNCH3/32	3/32" Hex Wrench-RH300 bearing gate adjustment	1
2	PRHD-SCW#10X3/8	Set Screw #10-32 x 3/8" Long-Black Oxide	1
3	PRHD-LNYN5/16NFG5ZC	5/16-24 Lowpro Nyloc Zinc	2
4	PRCO-DETWHLBRNG	Wheel bearing for Green Detent wheels	4

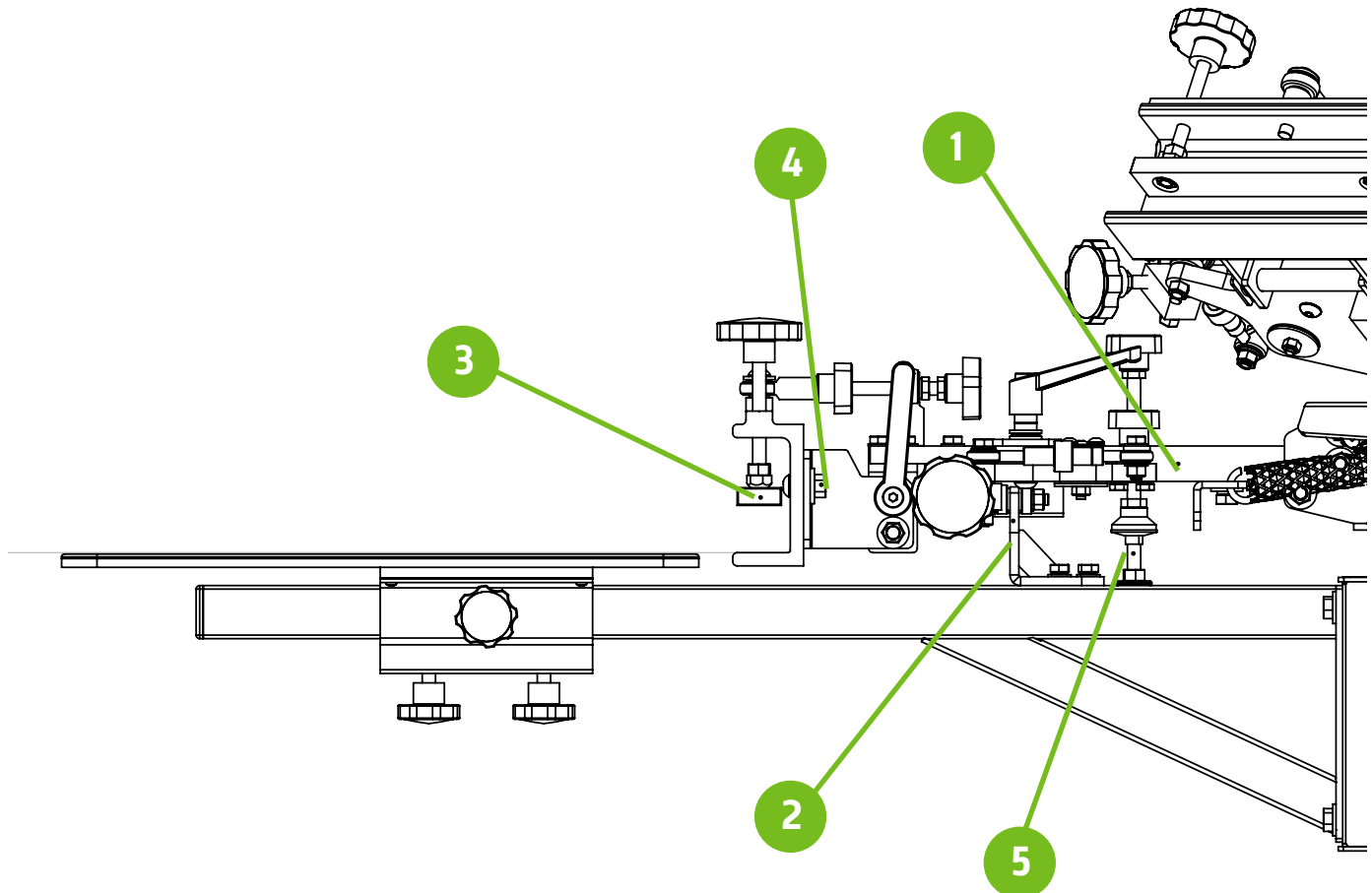


## STEP 9

Level the screen clamping heads to the pallets. This one-time setting will work for the vast majority of printing jobs. Future adjustment may be required to accommodate “custom” platens that are much higher than standard.

### Image Key:

- 1.** Ensure the print head arm is level with the print station.
- 2.** Make sure registration gate setting will allow for height adjustment and still lock in place.
- 3.** Lock down a flat board in screen clamp to set them level to the platens.
- 4.** Use a 9/16” wrench to adjust the hardware in the slotted off-contact brackets.
- 5.** DO NOT adjust this factory set off-contact riser

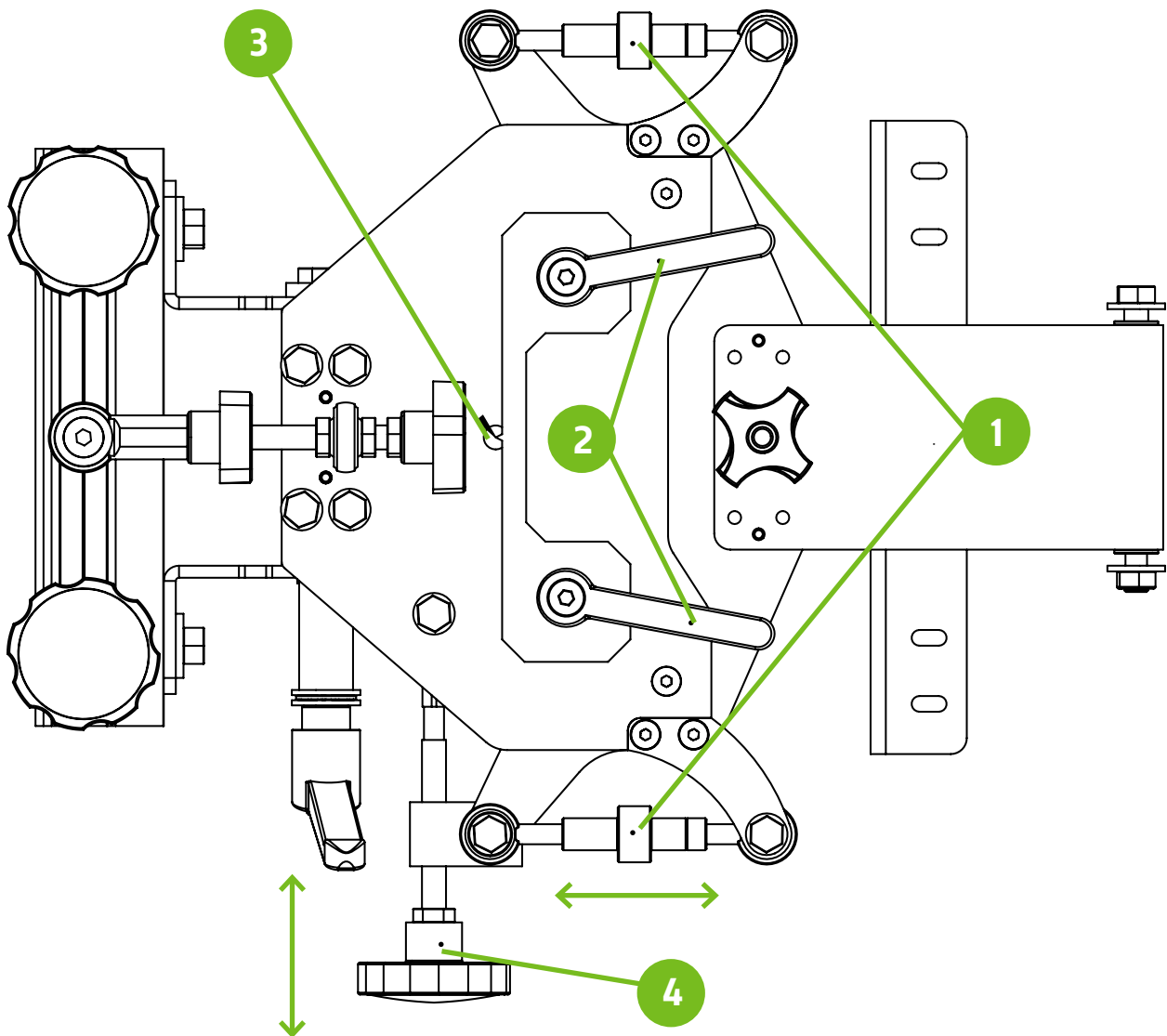


# STEP 10

## (X/Y Micro adjustments)

Before adjusting registration in the print head you must first loosen the micro lock-down levers (2). To adjust front-to-back use the turnbuckle knobs on the sides of the print head assembly (1).

To adjust registration side-to-side, use the long knob on the side of the assembly (4). To get back to “zero” use the pointer on the top of the print head assembly and line up with the center of the hole (3).

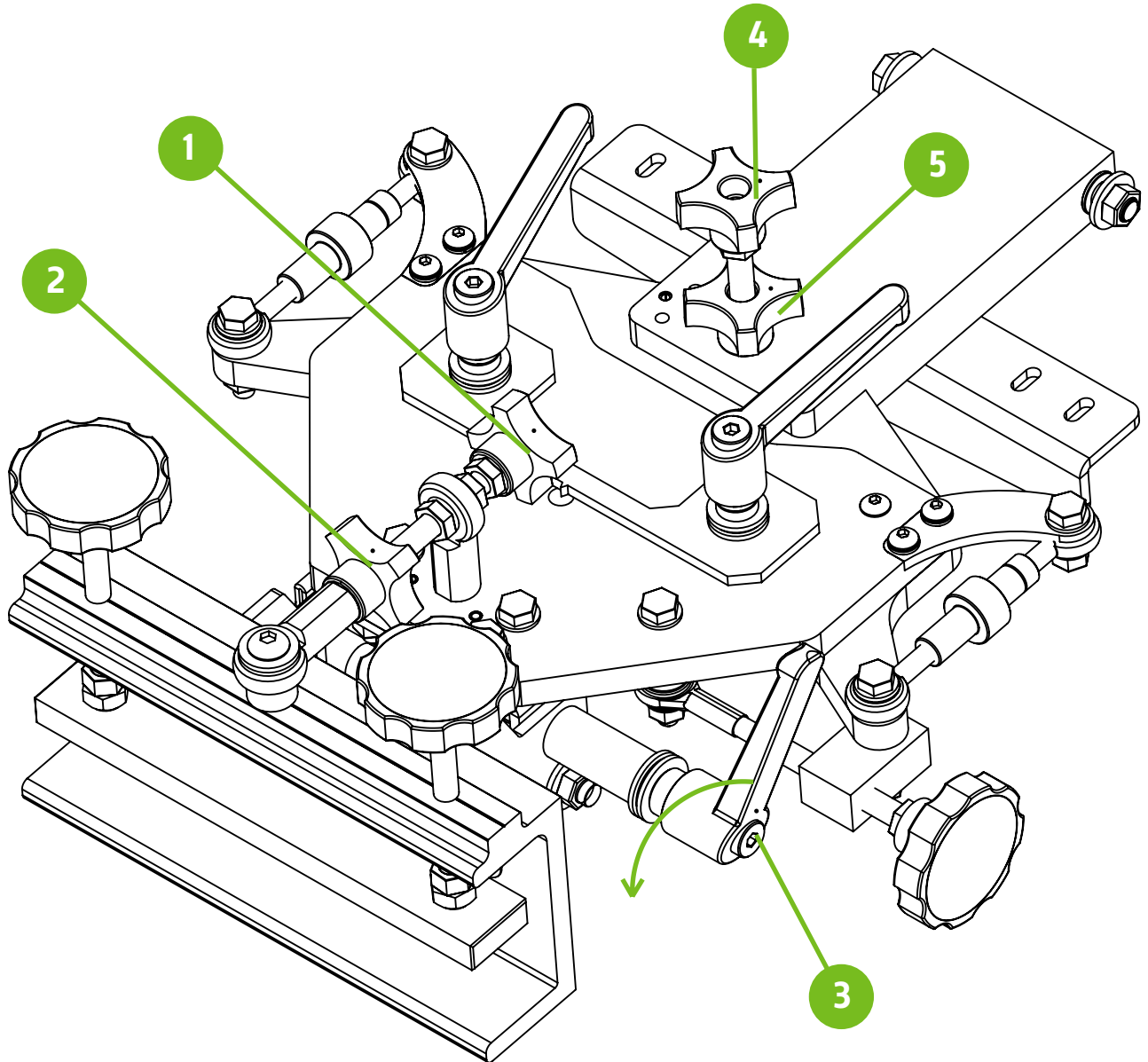


# STEP 11

## Tilt/Off-Contact Micro adjustments

Before adjusting off-contact (4) you must first loosen the off-contact jam knob (5). Once the desired off-contact is set, retighten the jam knob to hold in place.

Before adjusting the tilt micro (1) you must loosen the tilt jam knob (2). Slowly loosen the tilt locking lever (3). Once desired tilt is set, retighten the jam knob first and then the locking lever.

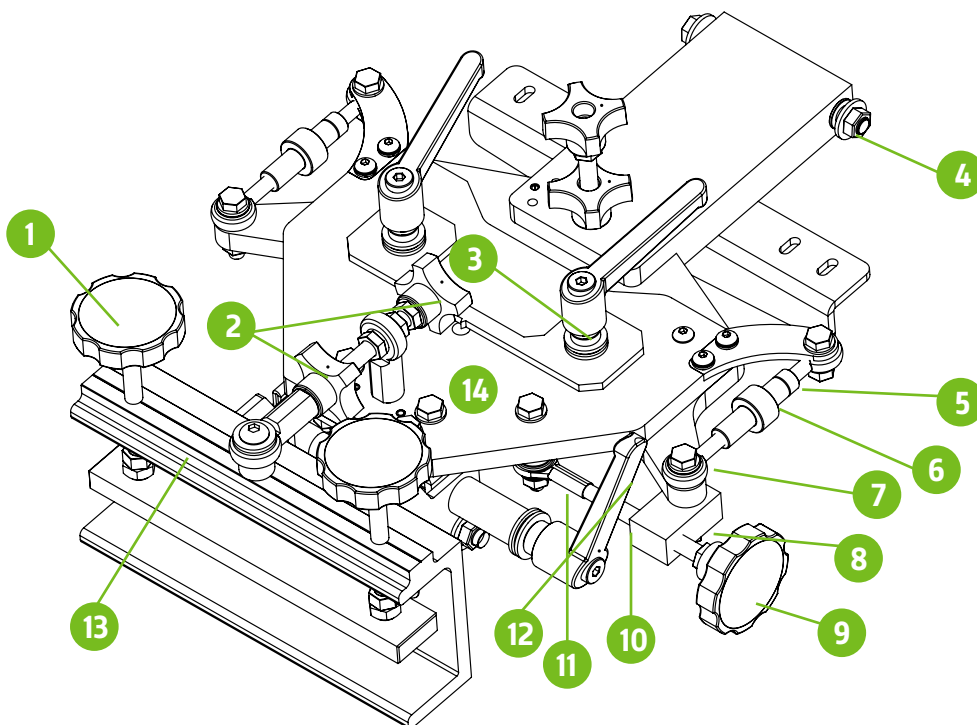




# PRSA-RH300PNTHD

## Riley 300 Print head Sub assembly

Tag	Name / ID	Description	Qty.
1	PRCO-KNBFLT3/8NC4ML	Fluted CLAMP KNOBS 3/8-16 x 4" Male Stud	2
2	PRCO-KNB4PRG3/8NFFM	4-prong thru-hole knob 3/8-24 Female	1
3	PRCO-KNBRCHT3/8NCFM	3/8 -16 Inch Course Ratchet Handles	2
4	PRCO-BRNZB3/8ID1/2LG	SINTERED BRZ BUSHING (SBB FL38 08)	1
5	PRCO-RDED5/16LHML	5/16"-24 LEFT HAND THREAD MALE ROD ENDS	2
6	PRCO-KNBTNBKL5/16NF	Turnbuckle Knob 5/16" NF-BLACK Plastic Micro Knob	2
7	PRCO-RDED5/16RHML	5/16"-24 RIGHT HAND THREAD MALE ROD ENDS	2
8	MFMS-MCROSIDBLOK	Side block for Y-Axis micro adjust	2
9	PRCO-KNBFLT3/8NFFM	Fluted REGGIE LOCK KNOB 3/8-24 Female thread	1
10	MFMS-RH300SIDROD	Y-axis Micro Rod 3/8"-24 w/ LH 5/16-24 end for RH300	1
11	PRCO-RDED5/16LHFM	5/16"-24 LEFT HAND THREAD FEMALE ROD ENDS	1
12	PRCO-KNBRCHT1/2NCFM	1/2 - 13 Large Ratchet Handles	1
13	PRSA-RH300CLPHD	Riley 300 Screen Clamp Sub assembly	1
14	PRCO-RDED3/8RHFM	3/8-24 FEMALE ROD ENDS RIGHT HAND THREAD	1





While we take pride in our quality and do our best to ensure your satisfaction, Riley Hopkins™/Ryonet® does not assume any liability for damages, whether consequential or incidental, that may result from the misuse of below stated specifications.

### LIMITED WARRANTY

**GENERAL PROVISIONS:** The warranties described below apply ONLY to the original purchasers of new Riley Hopkins™ presses from Ryonet®, purchased on or after April 20, 2013. Under these warranties, Ryonet® will repair or replace, as Ryonet® elects, covered defective parts, materials, or workmanship without charge for parts or the reasonable cost of labor related thereto. Ryonet® will use only new or re-manufactured parts or components furnished by Ryonet® or a Ryonet® authorized third party.

**WARRANTY DURATION:** A lifetime warranty shall apply to covered Riley Hopkins presses, parts, components and materials purchased by Band Members. Non-Band members who purchase a Riley press will receive the stated limited warranty for a 2-year period from date of purchase.

**WHAT IS COVERED:** This warranty covers all non-wearable parts, non-wearable components, and non-wearable materials of new Riley Hopkins™ presses. HOWEVER, the following items are excluded from the scope of this warranty: expendable parts (including but not limited to bearings, springs, nylon bolts, oilites and fasteners). FURTHER, Ryonet® does not warrant failure of parts or components resulting from misuse or lack of proper maintenance, or improper installation.

**WHAT IS NOT COVERED:** Installation, inspection, and routine maintenance costs are the sole responsibility of the purchaser; used equipment; any equipment modified or altered in any way not approved by Ryonet® in writing including, but not limited to, disassembling bearing components; routine maintenance and lubrication; consequences of negligence, misuse, accident, or improper application, installation, or storage of the press; consequences of any service performed by someone other than a Ryonet® authorized provider.


**SECURING WARRANTY SERVICE:** Warranty service must be requested of the nearest Ryonet® location. At the time of requesting warranty service, the person or entity requesting warranty service must be prepared to present evidence that it was the original purchaser of the Riley Hopkins™ press(es).

Written authorization must be obtained from Ryonet® before any part will be accepted. In order to return such defective part, contact Ryonet® to return such part freight prepaid. Replacement parts are sent out freight collect. Parts sent out prior to receiving defective part will be sent C.O.D., cost plus freight. Upon return of defective part, if it is deemed that the part was not damaged by customer but failed, the cost of the replacement part will be refunded.

NO REPRESENTATIONS OR IMPLIED WARRANTIES: WHERE PERMITTED BY LAW, RYONET® NOR ANY RYONET® AFFILIATE MAKES ANY GUARANTIES, WARRANTIES, CONDITIONS, REPRESENTATIONS, EXPRESS OR IMPLIED PROMISES, ORAL OR WRITTEN, AS TO THE NONOCCURENCE OF ANY DEFECT, THE QUALITY, OR PERFORMANCE OF RILEY HOPKINS™ PRESSES OTHER THAN THOSE SET FORTH HEREIN. FURTHER, RYONET® NOR ITS AFFILIATES DO NOT MAKE ANY IMPLIED WARRANTIES OR CONDITIONS OF MERCHANTABILITY OR FITNESS OTHERWISE PROVIDED BY THE UNIFORM COMMERCIAL CODE OR REQUIRED BY LAW TO THE FULLEST EXTENT PROVIDED BY LAW EXCEPT AS SET FORTH HEREIN. LIMITATION OF LIABILITY: The remedies set forth in this warranty are the purchaser's exclusive remedies in connection with the performance of, or any breach of any guarantee, condition, or warranty with respect to any new Riley Hopkins™ presses. In the event the above warranty fails to correct purchaser's performance problems caused by defects in workmanship and/or materials, purchaser's exclusive remedy shall be limited to payment for actual damages in an amount not to exceed the cost of the press. IN NO EVENT SHALL RYONET OR ANY AFFILIATE OF RYONET® BE LIABLE FOR INCIDENTAL OR CONSEQUENTIAL DAMAGES FOR INJURIES TO THE FULLEST EXTENT PROVIDED BY LAW, INCLUDING BUT NOT LIMITED TO, LOSS OF PROFITS, LOSS OF MERCHANDISE, SUBSTITUTION, OR OTHER COMMERCIAL LOSS, FOR DAMAGE SUFFERED BY PURCHASER ARISING FROM A RILEY HOPKINS™ PRESS, UNLESS SUCH DAMAGES OR INJURIES ARE CAUSED BY THE GROSS NEGLIGENCE OR INTENTIONAL ACTS OF RYONET®. RYONET® FURTHER DISCLAIMS ALL LIABILITY FOR BODILY INJURIES TO THE FULLEST EXTENT PROVIDED BY LAW. NO SELLER'S WARRANTY: No person or entity, other than Ryonet®, who sells the Riley Hopkins™ press has the authority to make any guarantee, representation, promise, or warranty with respect to any Riley Hopkins™ press unless the person or entity delivers to the purchaser a separate written guaranty certificate specifically guaranteeing the press, in which case Ryonet® shall have no obligation to the purchaser. Neither original Riley Hopkins™ manufacturers, distributors, or dealers, nor any other person or entity, has any authority to make any representation or promise on behalf of Ryonet® or to modify the terms or limitations of this warranty in any way.

#### **ADDITIONAL INFORMATION**

For additional information concerning the Riley Hopkins™/Ryonet® Press Warranty, contact [support@ryonet.com](mailto:support@ryonet.com) or 1-800-314-6390

**POWERING**  
 **THE**  
**PRINT**