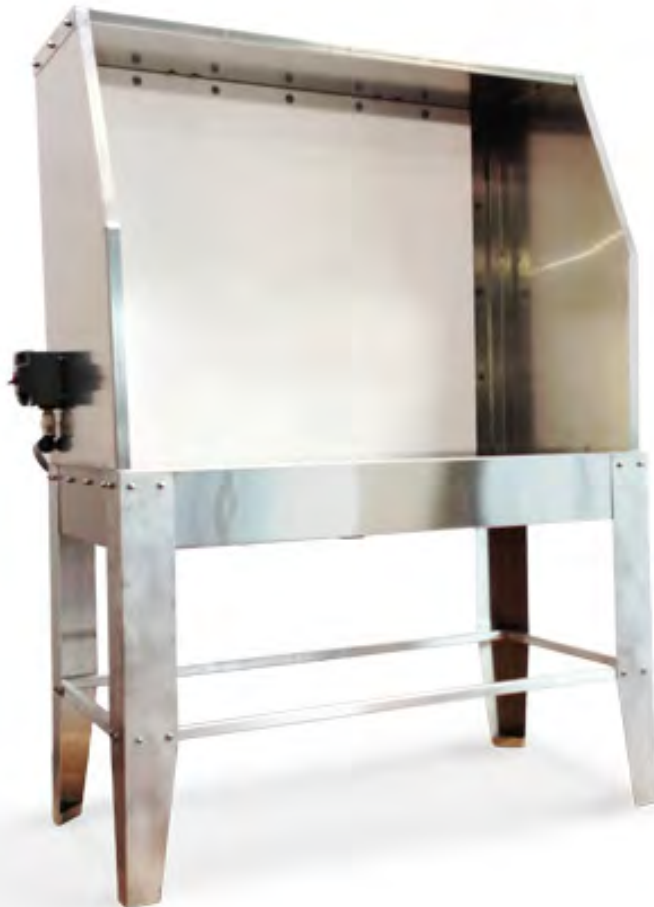
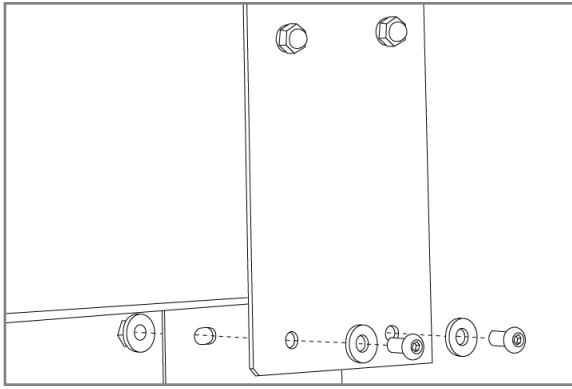


 **Instructions Manual**

**Ryonet® Wash Pit**  
**Backlit Washout Booth**

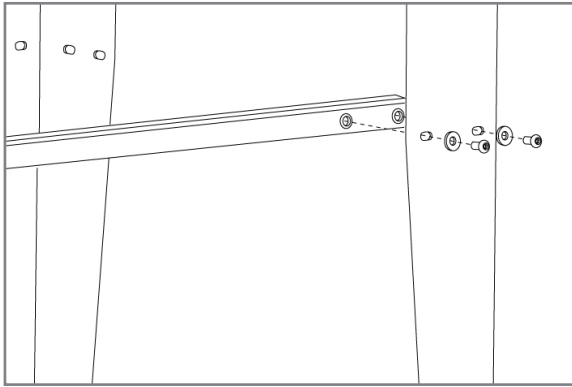




### Step 1.

Install the legs uprights into the pre-installed leg clips. This will require the provided 1/4th inch bolts, washers and flanged nuts in the four holes-to-slots. Use the supplied 7/16th inch wrench and hex key to attach.

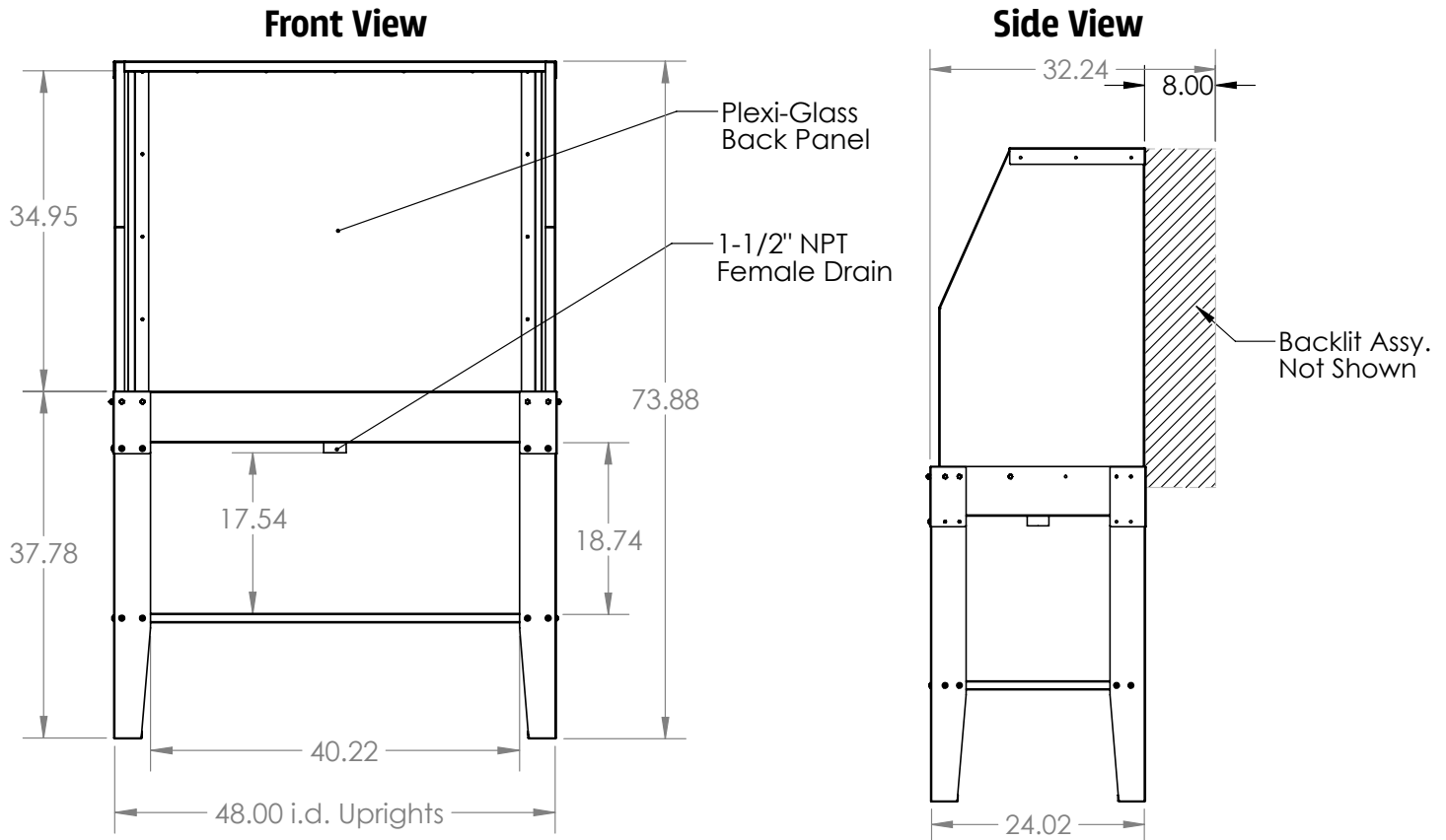
**Note:** There are left hand and right hand versions of the uprights.



### Step 2.

Install the aluminum tubular cross bars into the lower upright slots. This will require the provided 1/4th inch bolts and washers. Use the supplied hex key to attach.

## Unit Dimensions



**Note:** Logos, graphic elements and or photo images contained in this document may not be reproduced without the written consent of Ryonet®.