



# Assembly Instructions

 **sgreen**



**WASHOUT  
BOOTH**







## Tools Required:

- Two 7/16" wrenches
- One 5/32" Hex wrench

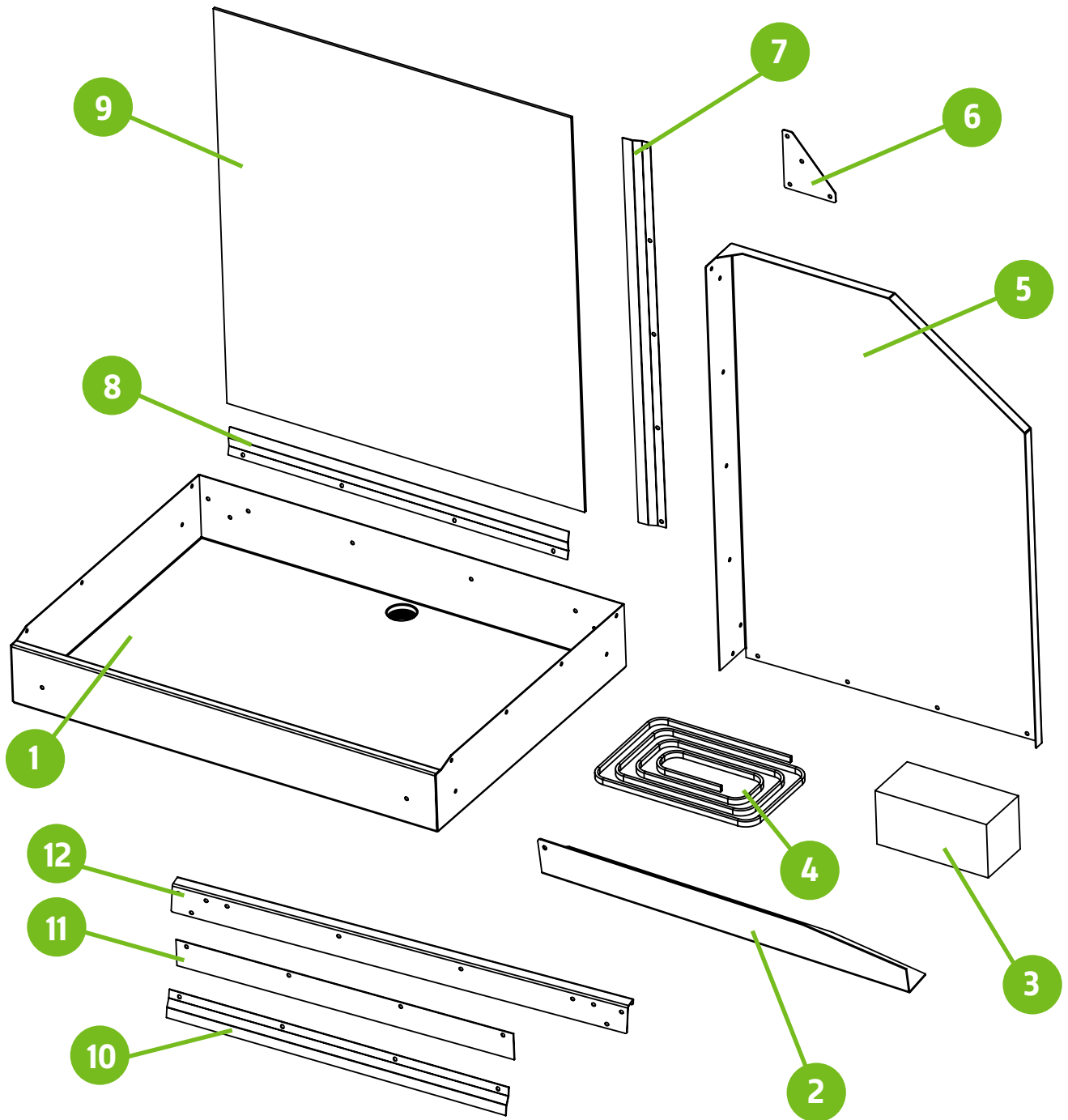
## What's in the box

Tag	Item	Item	Qty.
1	MFWD-SGWASHBDY	24" x 33" Washout sink pan	1
2	MFPB-SGWASHLEG	Sgreen washout booth leg	4
3	MFSA-SGWASHDW	Sgreen washout hardware kit	1
4	MFCO-EDGE TRIM	Black sheet metal edge trim	7
5	MFPB-SGWASHSID	Sgreen washout booth side panel (RH shown)	2
6	MFLS-SGWASHGST	Sgreen washout booth rear gussets	2
7	MFPB-SGWASHBKT2	Sgreen washout booth side rear panel brackets	2
8	MFPB-SGWASHBKT1	Sgreen washout booth lower rear panel brackets	1
9	MFCO-WASHBAK30	Sgreen washout booth back panel	1
10	MFPB-SGWASHBKT3	Sgreen washout booth upper rear panel brackets	1
11	MFLS-SGWASHSPCR	Sgreen washout booth upper rear flat spacer	1
12	MFPB-SGWASHTOP	Sgreen washout booth upper cross bar	1

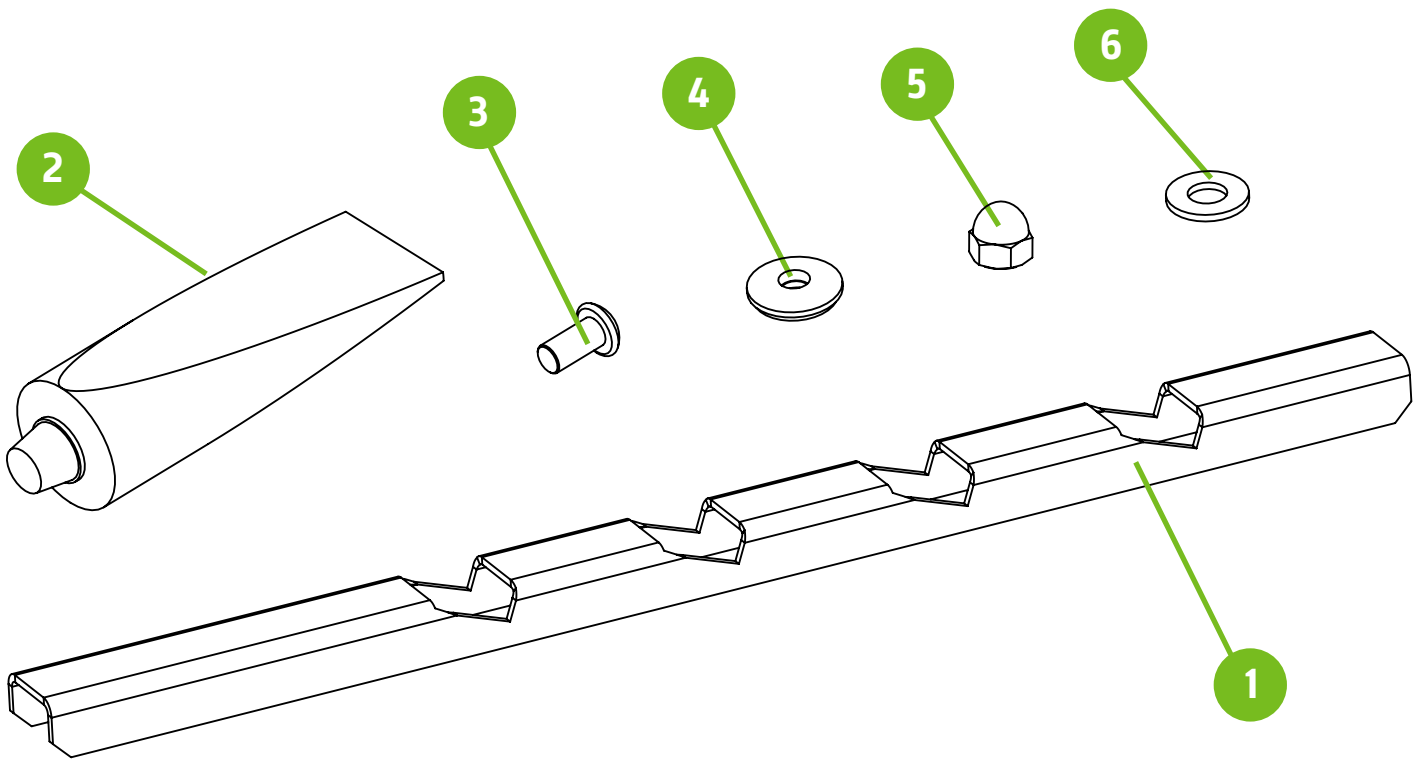


# Parts Required:

What's in the box



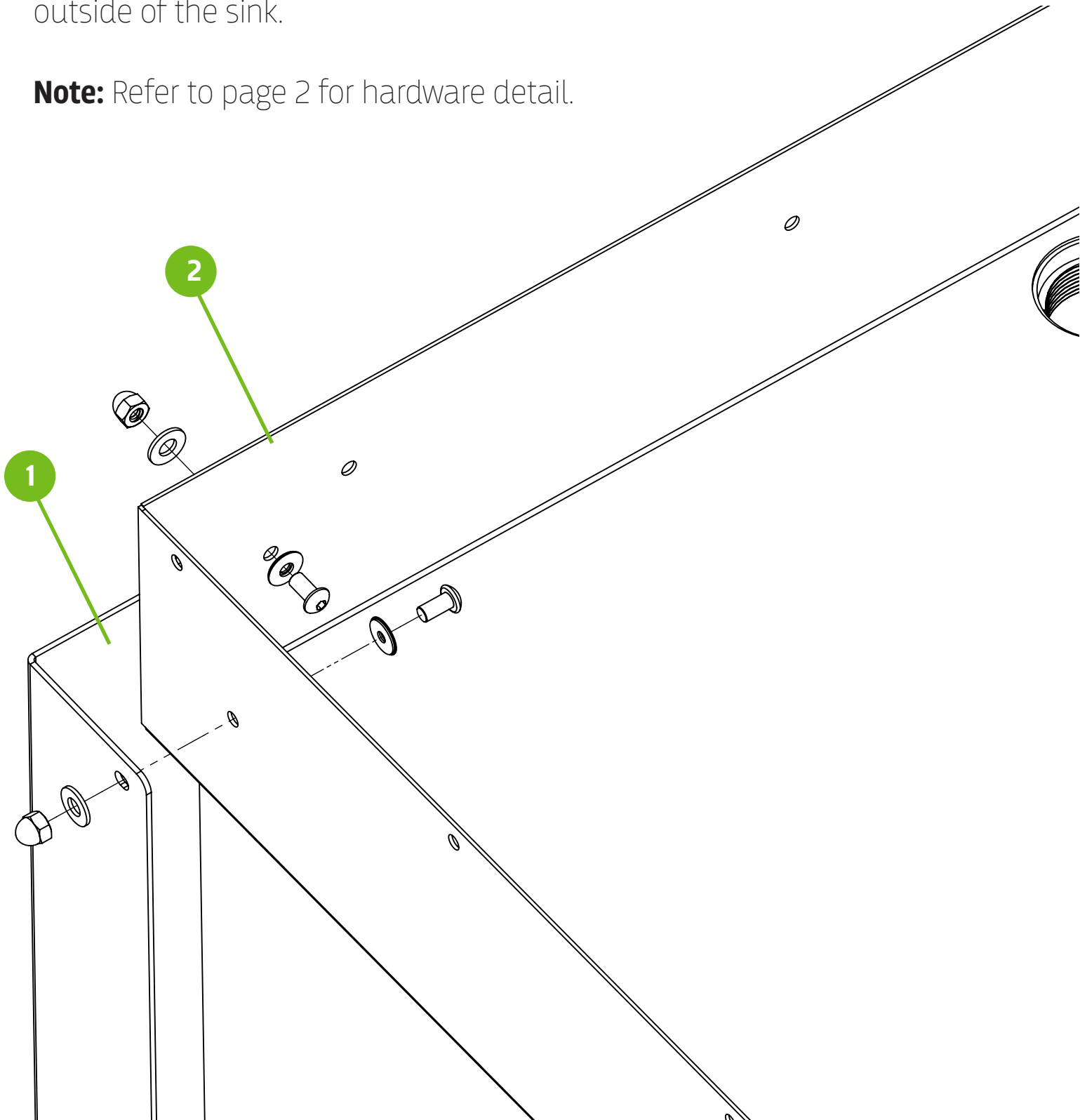
Tag	Name/ID	Description	Qty.
1	MFPB-SGWASHSTOFF	Sgreen Washout booth Screen holding stand-off	2
2	MFCO-SGWASHCAULK	Clear Caulk, Acrylic, 5.5 oz. Tube	1
3	PRHD-BTN1/4NC1/2SS	1/4-20 x 1/2 Button Head Allen Bolt Stainless steel	42
4	PRHD-WA1/4NEOBONDSS	1/4" Neobond Stainless steel conical washer	42
5	PRHD-ACN1/4NCGR5ZC	1/4-20 Acorn Nut Nickel	42
6	PRHD-WA1/4USSGR5ZC	1/4" USS flat washer	34



# Step 1

Install the legs **(1)** to the main sink pan **(2)**. Make sure the Neobond washers are on the inside of the sink and the standard flat washers are outside of the sink.

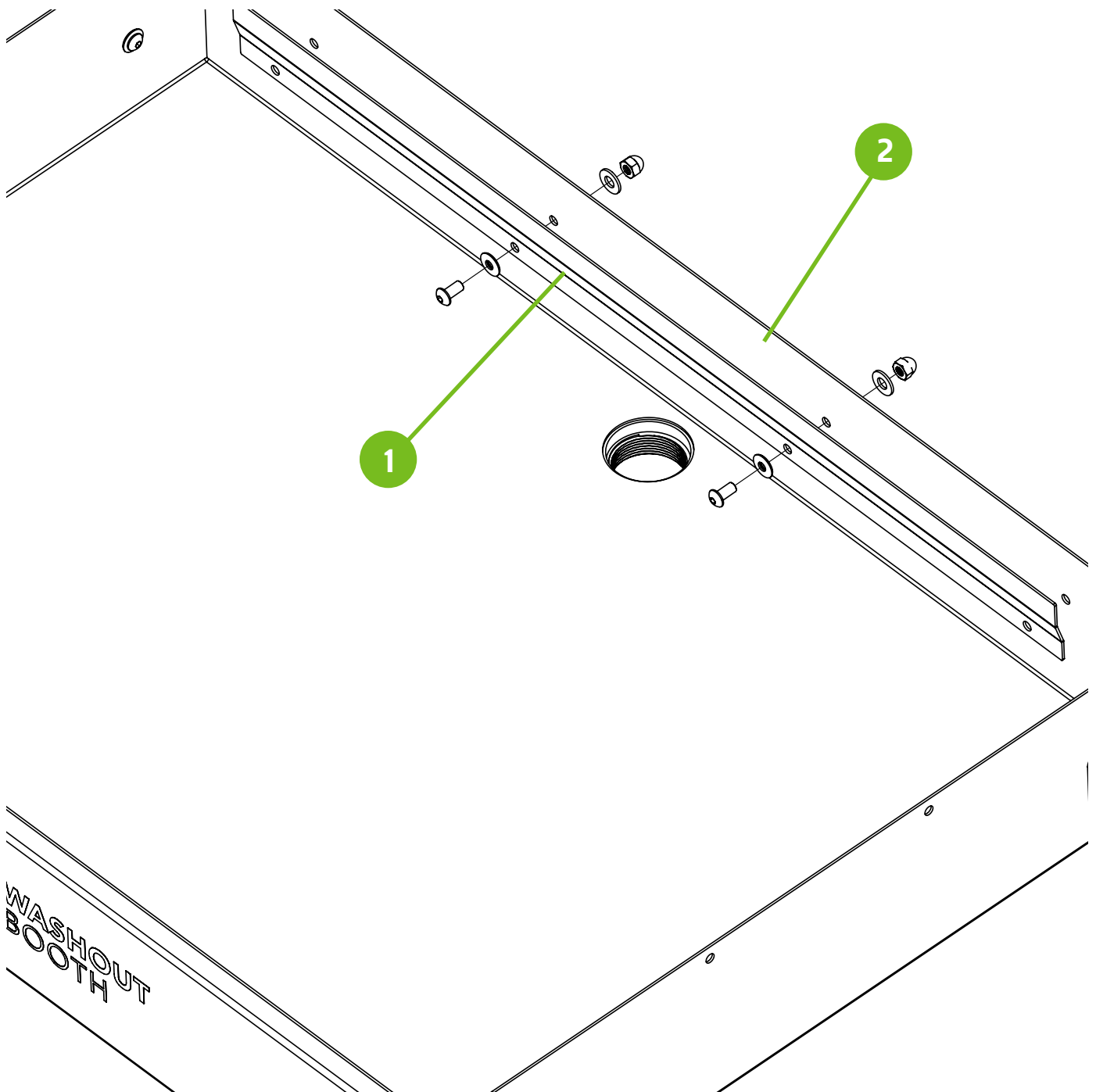
**Note:** Refer to page 2 for hardware detail.



## Step 2

Install the 27-7/8" lower rear panel bracket **(1)** to the main sink body **(2)**. Only attach the center 2 holes at this time. Do NOT fully tighten at this step. Neobond washers are inside of the sink and standard washers outside of the sink.

**Note:** Refer to Page 2 for hardware detail.



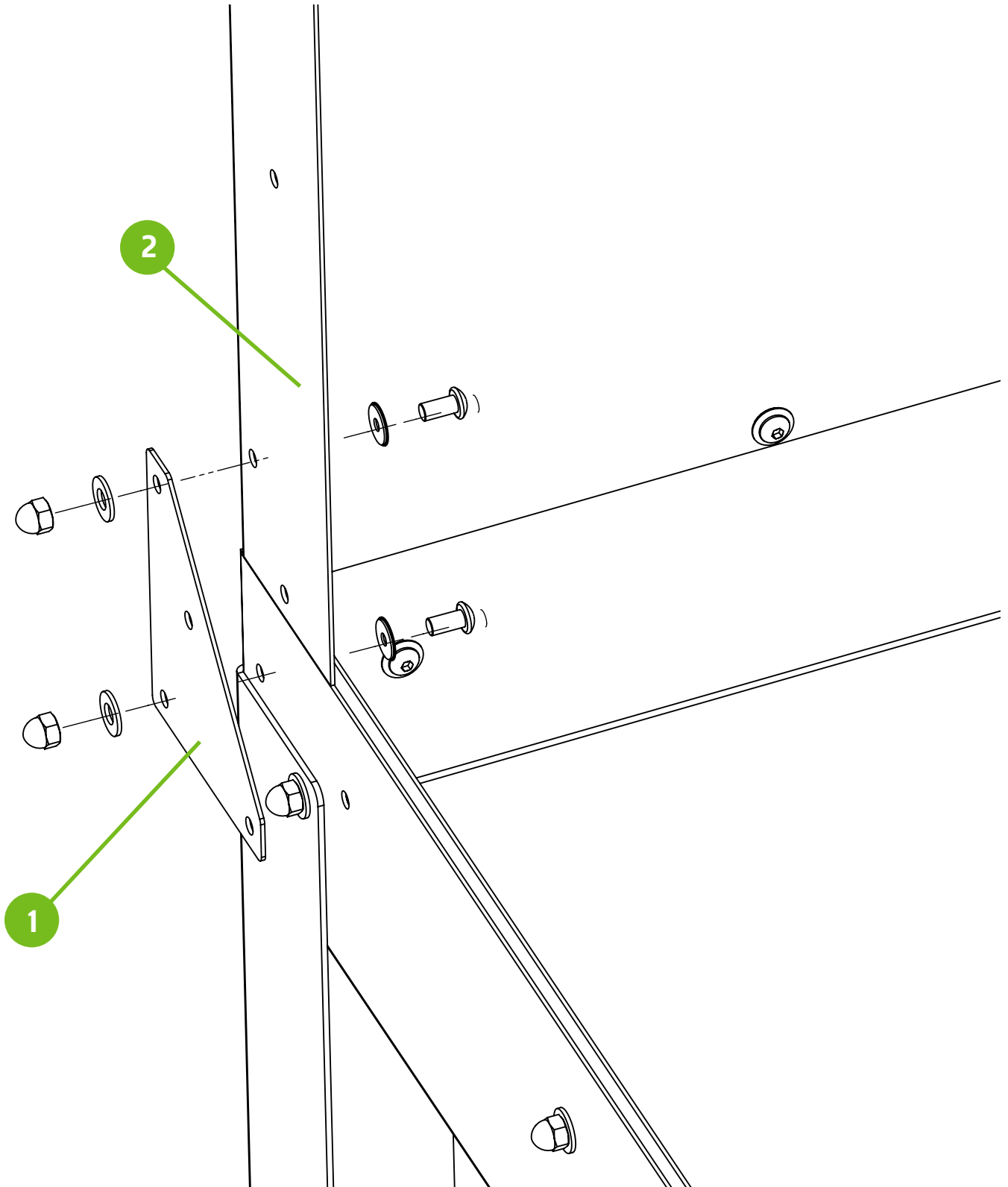




## Step 4

Partially attach the rear gussets **(1)** to the main sink body and side panels **(2)**. NOTE: Only attach the two places shown in the drawing below.

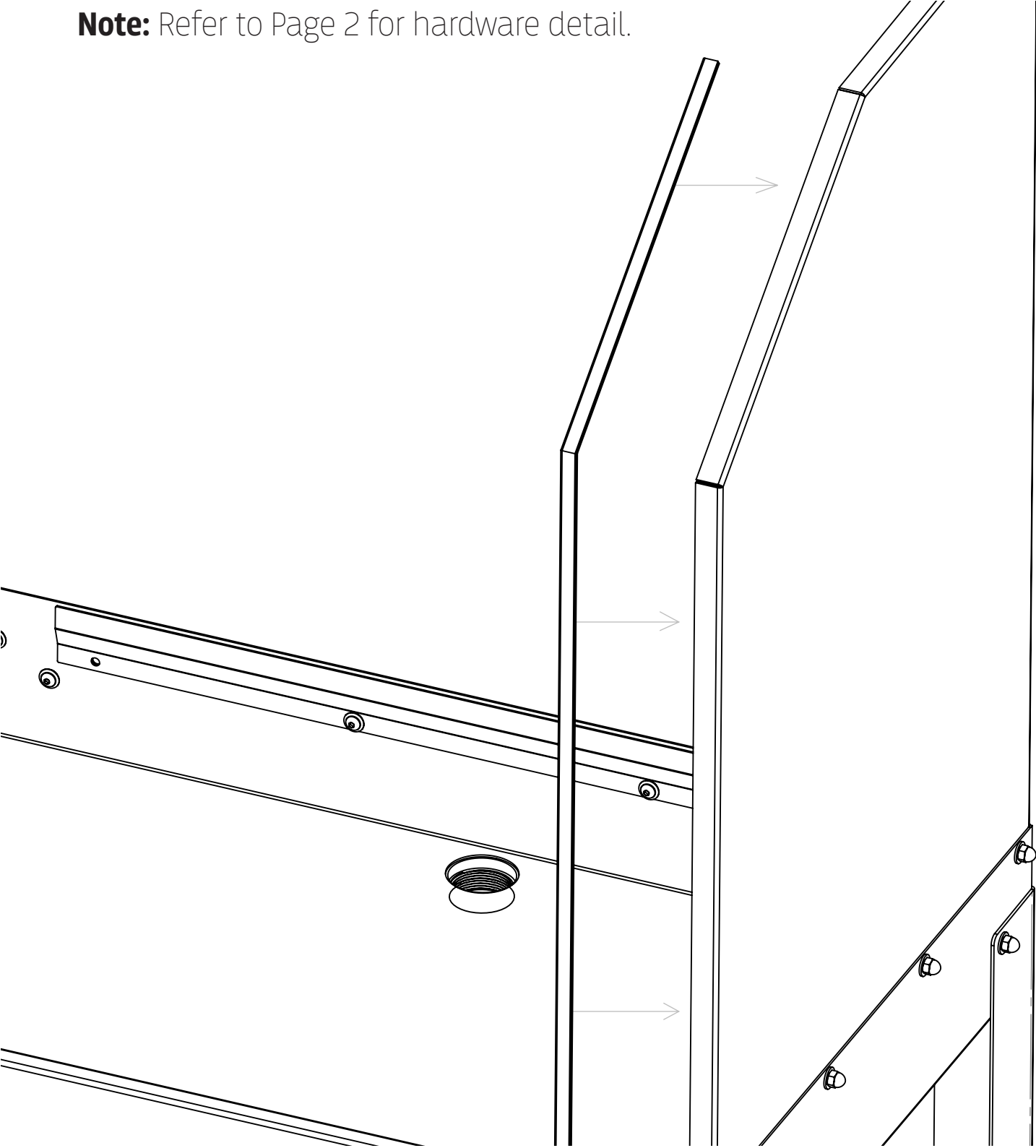
**Note:** Refer to Page 2 for hardware detail.



# Step 5

Attach the trim seal to the side panels of the washout sink. Some trimming may be required at this step.

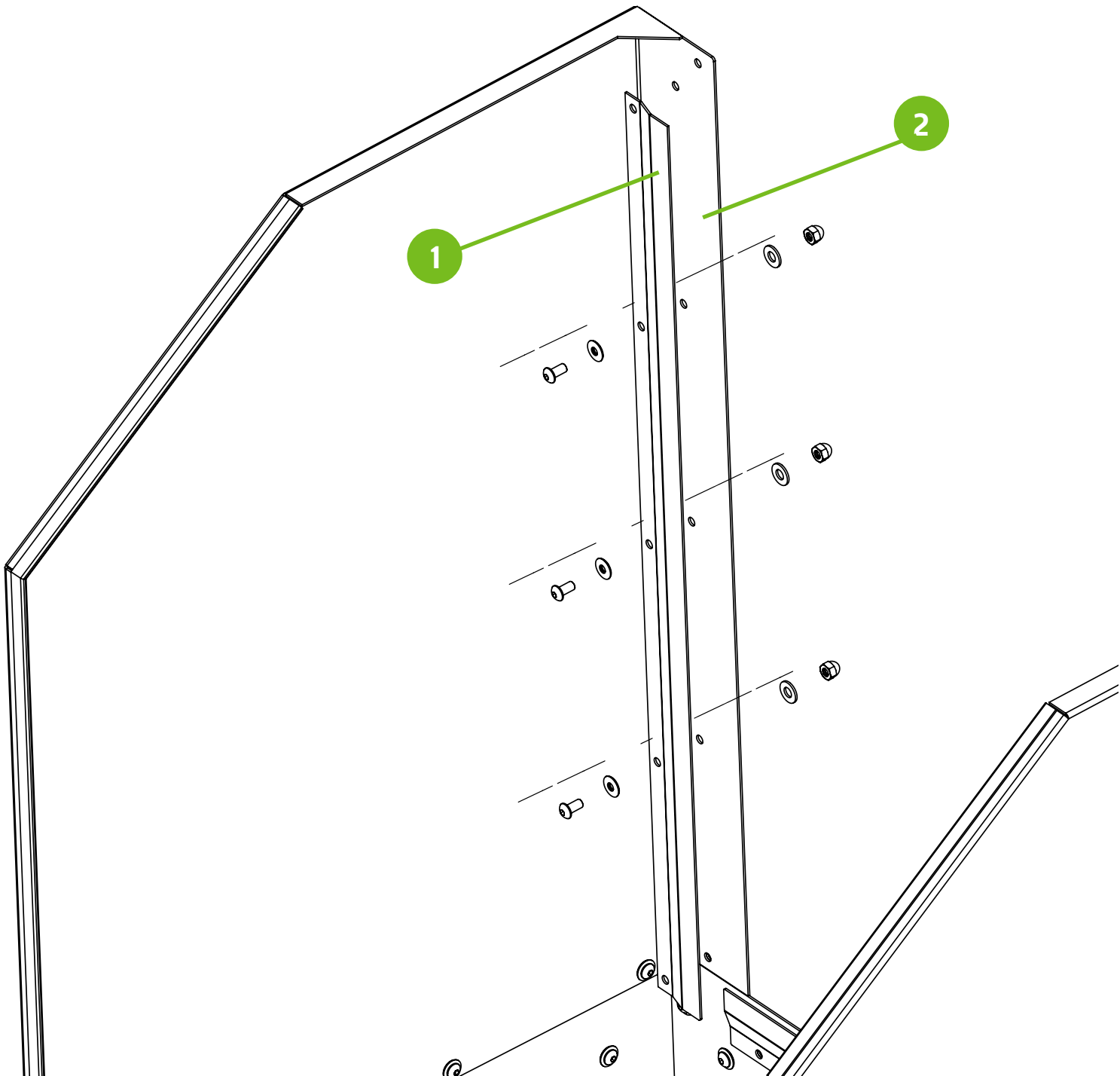
**Note:** Refer to Page 2 for hardware detail.



## Step 6

Install the 30-3/8" side rear panel brackets **(1)** to the side panels of the washout sink **(2)**. DO NOT fully tighten hardware at this time. Omit the upper and lower hardware at this step. Neobond washers on the inside of the sink and the standard flat washers are on the outside.

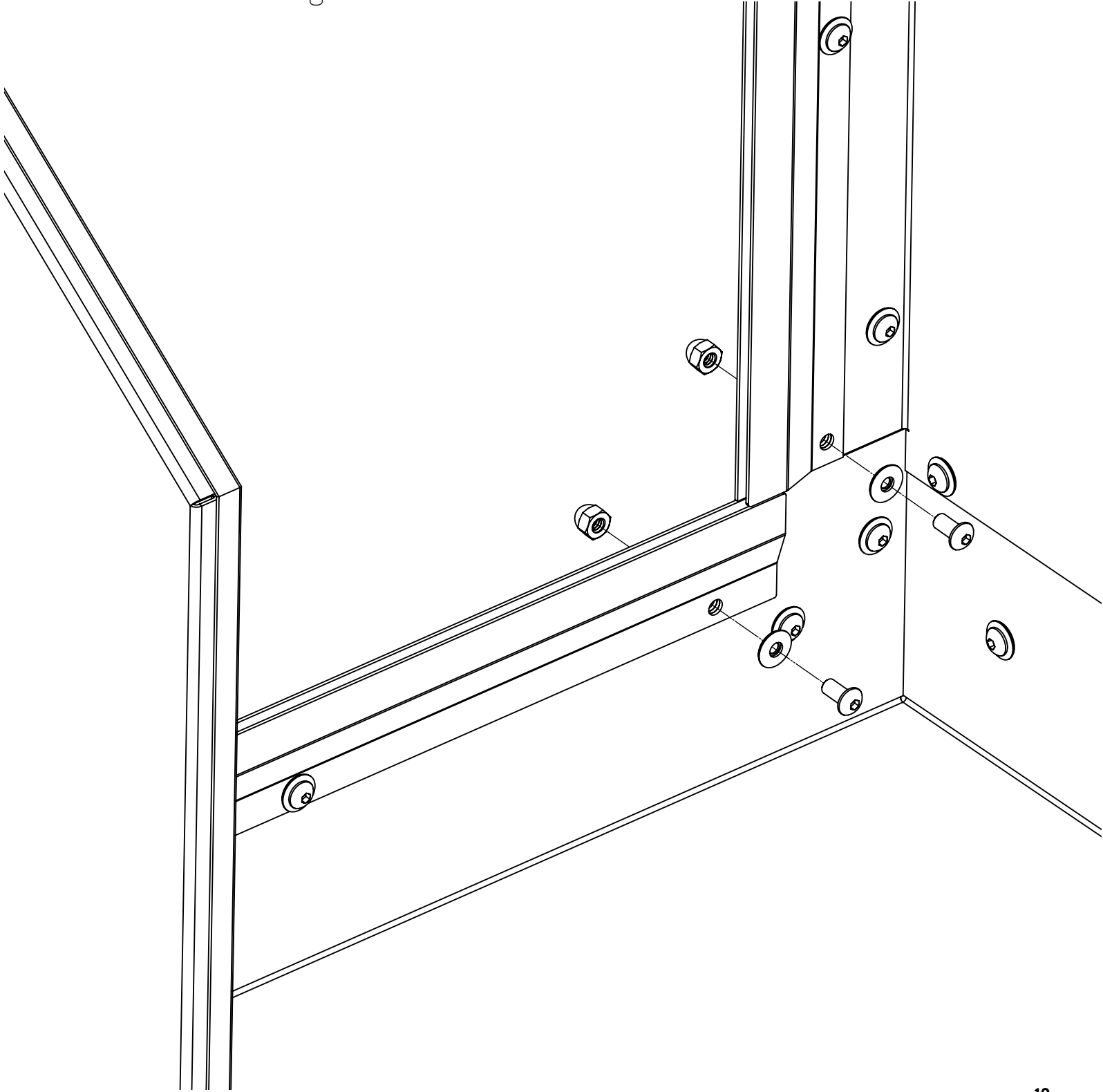
**Note:** Refer to Page 2 for hardware detail.



# Step 7

Install the lower rear corner hardware to the back panel holding brackets. **DO NOT** fully tighten the hardware at this time. No flat washers in this step.

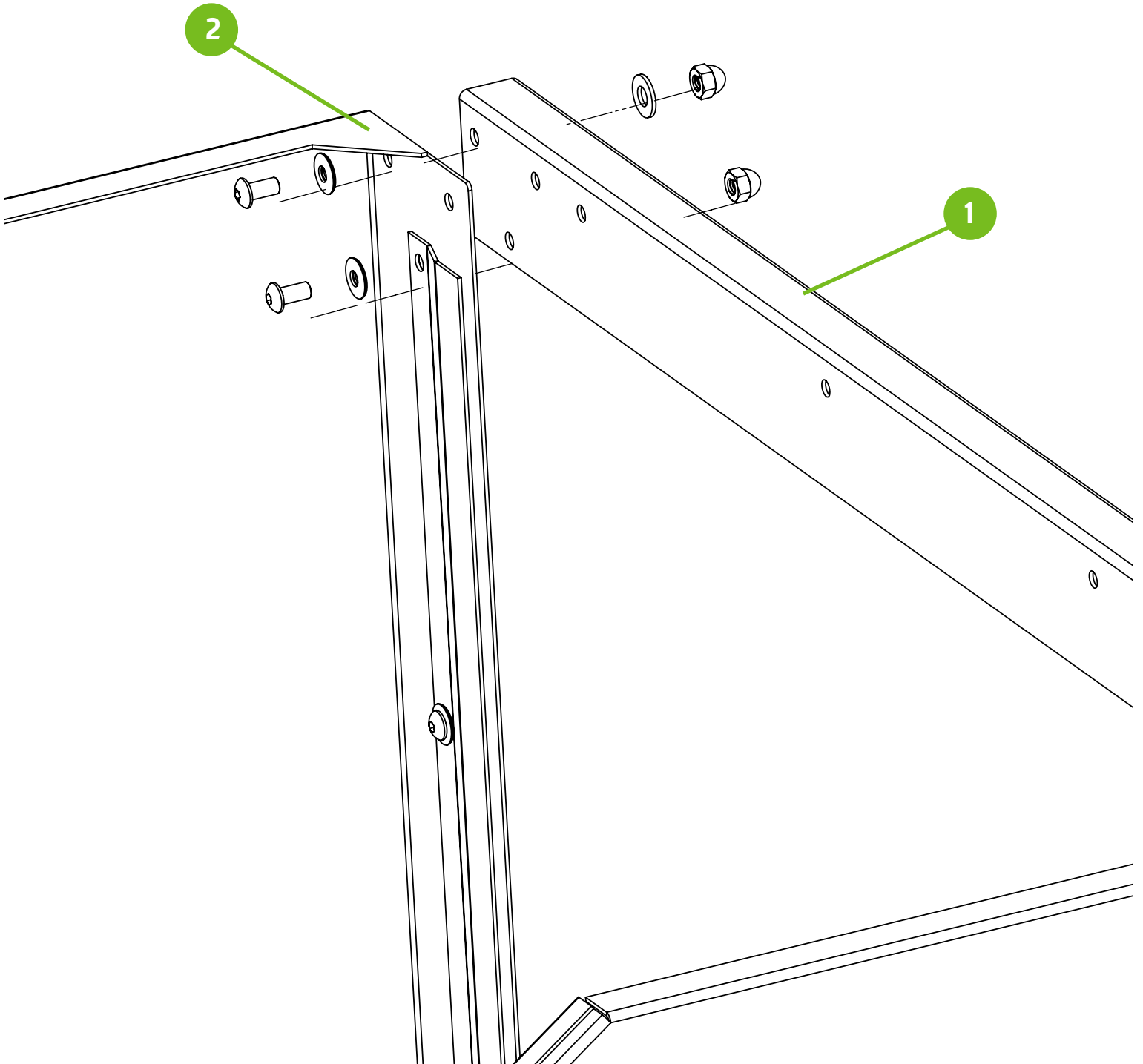
**Note:** Refer to Page 2 for hardware detail.



## Step 8

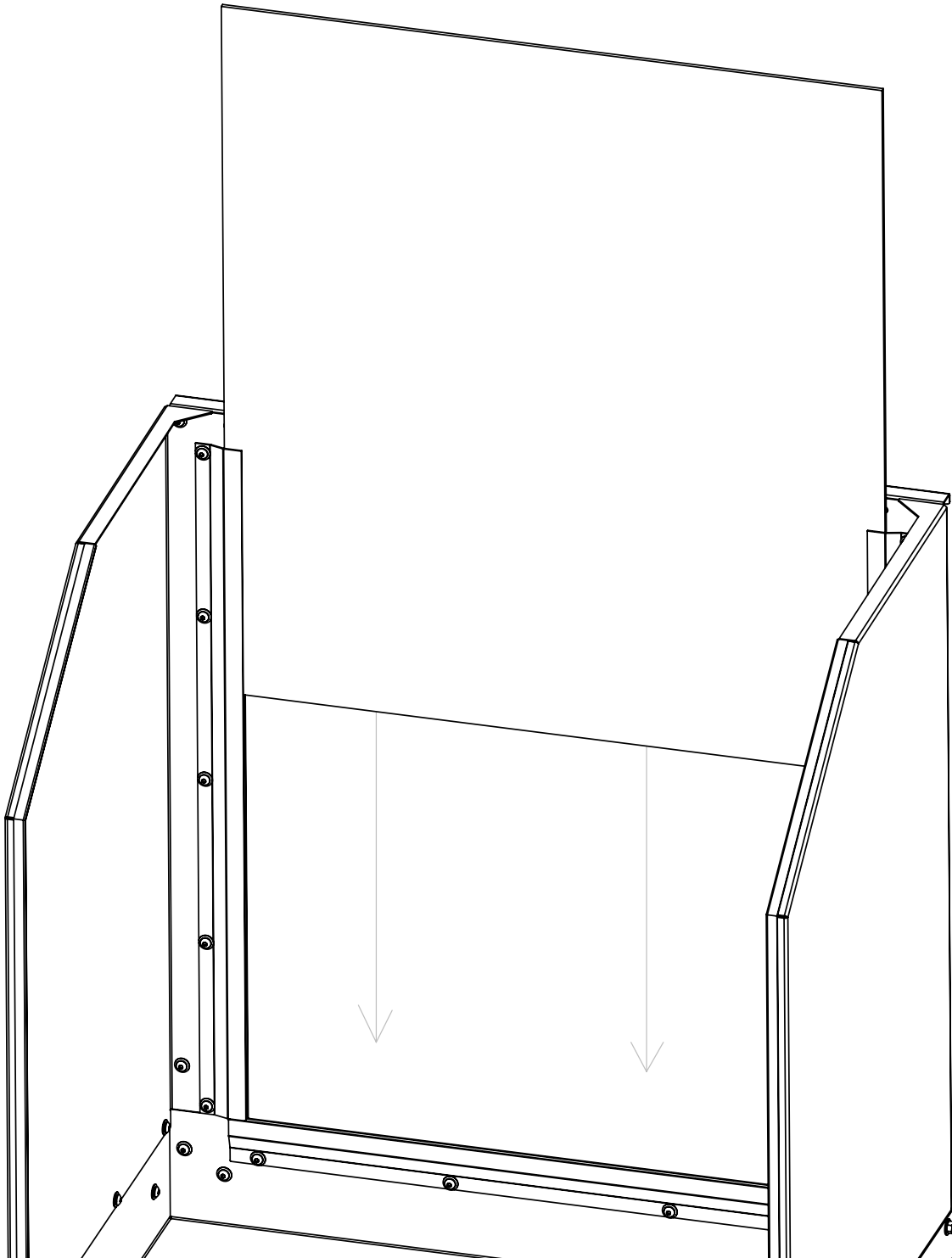
Attach the upper cross bar **(1)** to side panel **(2)** with the supplied hardware. DO NOT full tighten the hardware at this time. No flat washers are in lower hole.

**Note:** Refer to Page 2 for hardware detail.



## Step 9

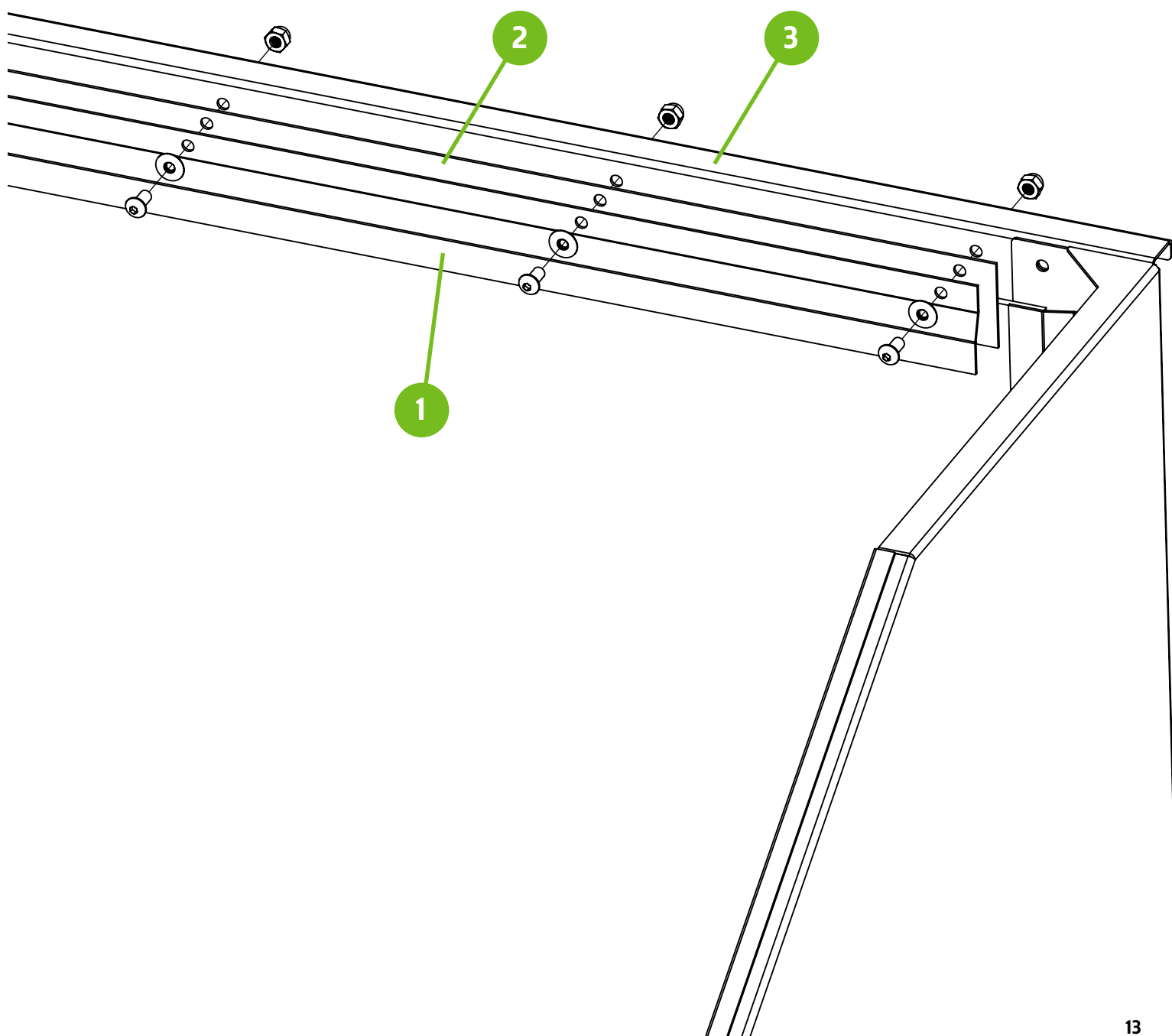
Slide the rear panel of the washout booth into the channels between the brackets and the side panels. Push down into the lower bracket. Align the top of back panel with the top edge of the side holding brackets. Fully tighten all loose hardware from the previous steps.



## Step 10

Attach the 26-3/8" upper back panel bracket **(1)** & upper spacer **(2)** to the top cross bar **(3)**. Fully tighten the hardware at this step. Spacer is between the back acrylic panel and the top cross bar. No flat washers this step.

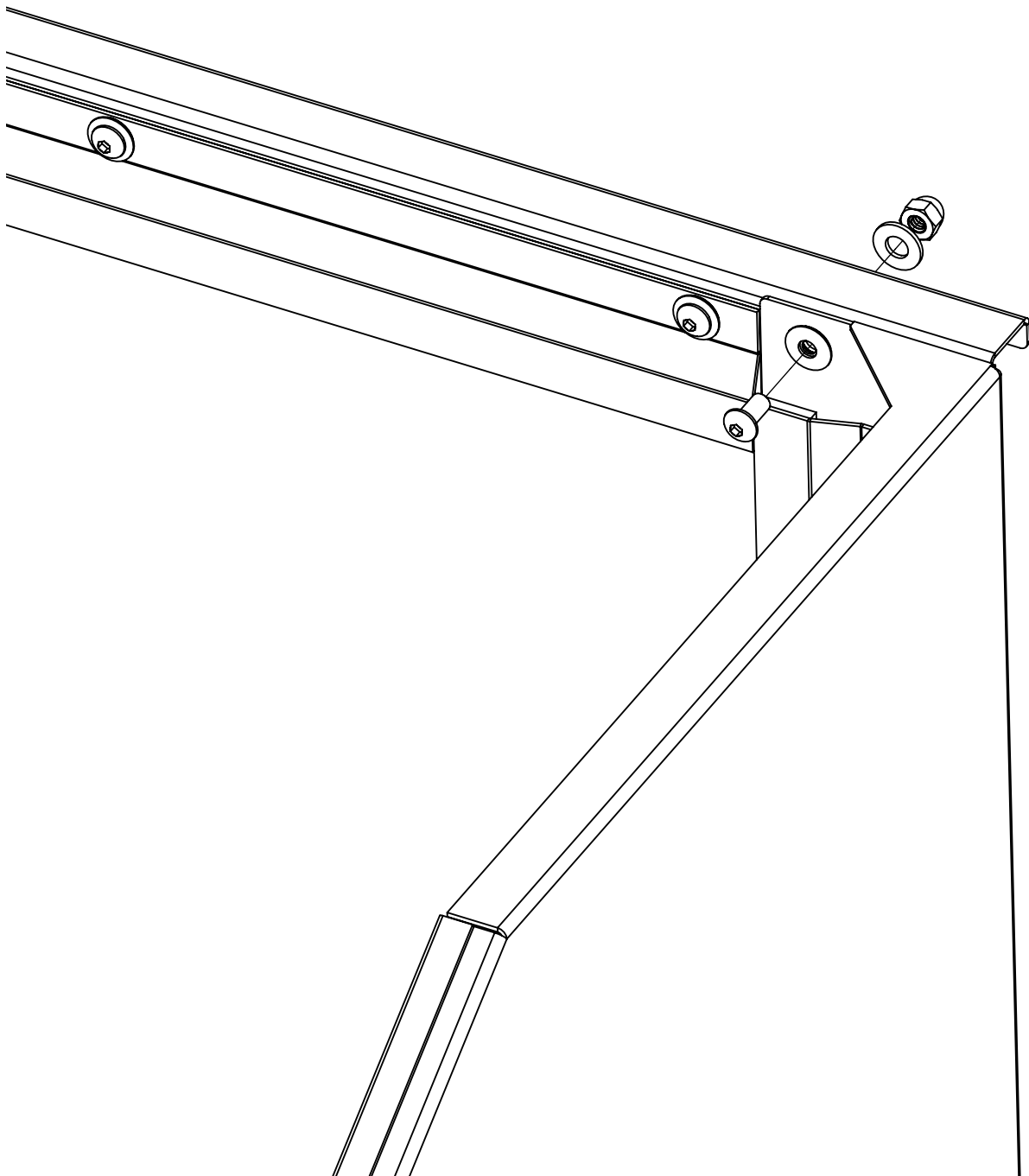
**Note:** Refer to Page 2 for hardware detail.



## Step 11

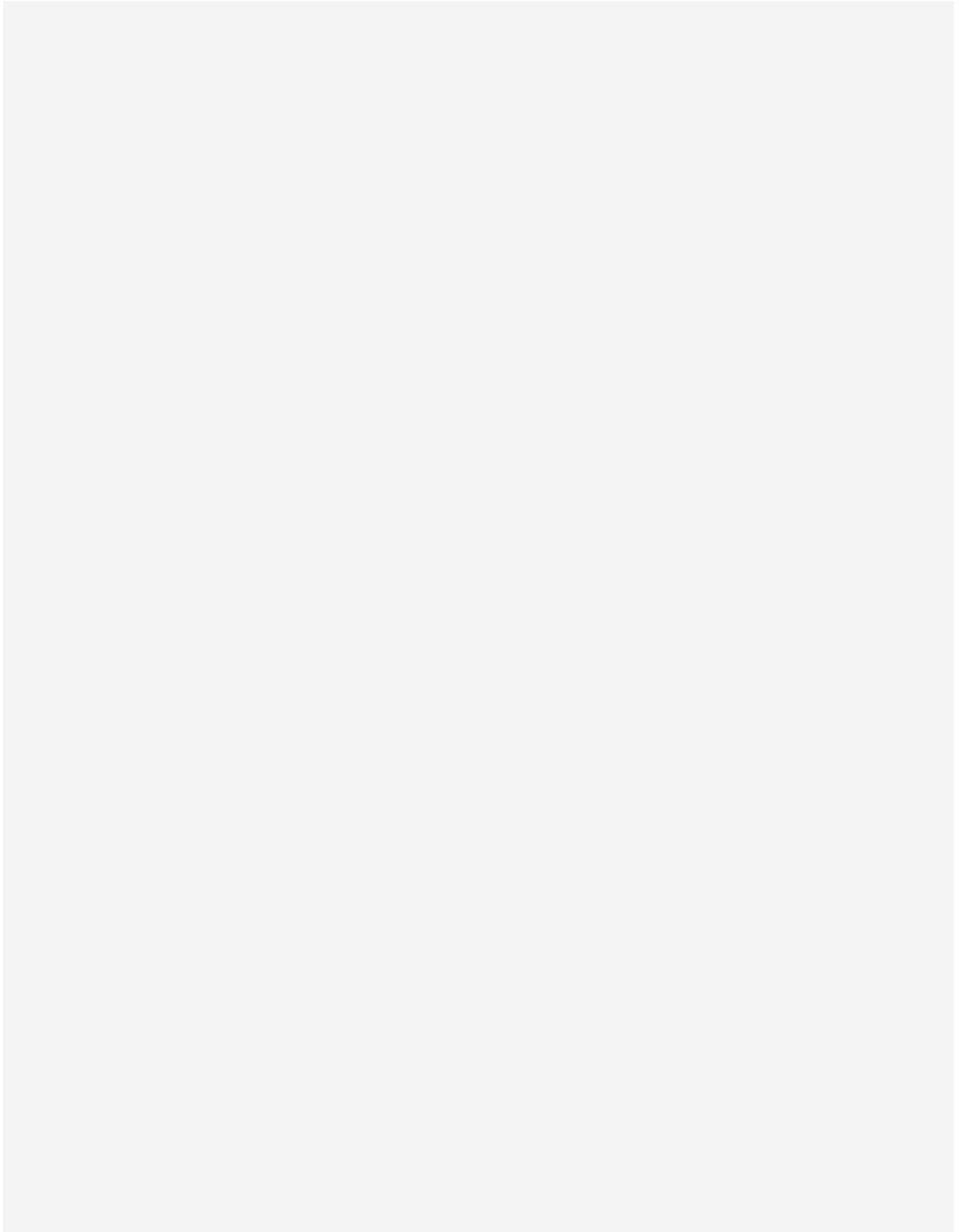
Install the final hardware in the upper corner of the side panels. Fully tighten the hardware at this time. After all hardware is tight, use supplied caulk to seal up all seams where water could leak. Allow to dry per caulking instructions.

**Note:** Refer to Page 2 for hardware detail.





# NOTES:



**POWERING**  
 **THE**  
**PRINT**