






**DOWNLOAD COLOUR
INSTALL MANUALS AT
www.bddiesel.com**



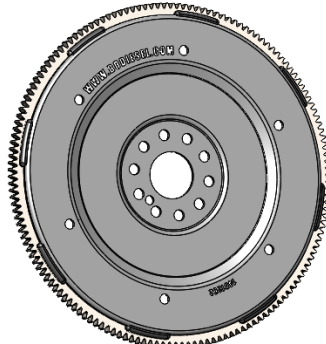
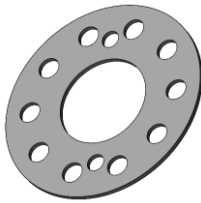

Ford 7.3L / 6.0L / 6.4L / 6.7L Powerstroke Flexplate

1041240	Ford 6.4L Powerstroke
1041241	Ford 7.3L Powerstroke
1041242	Ford 6.0L Powerstroke
1041245	Ford 6.7L Powerstroke




1041240 Kit Contents

1401240	1401243	FT-0606434
		
Ford 6.4L Flexplate Qty: 1	Ford Flexplate Washer Qty: 1	Blue Threadlocker Qty: 1




1041241 Kit Contents

1401262	1401264	FT-0606434
		
Ford 7.3L Flexplate Qty: 1	Ford Flexplate Washer Qty: 1	Blue Threadlocker Qty: 1

1041242 Kit Contents

1401242	1401243	FT-0606434
		
Ford 6.0L Flexplate Qty: 1	Ford Flexplate Washer Qty: 1	Blue Threadlocker Qty: 1

1041245 Kit Contents

1401245	1401244	FT-0606434
		
Ford 6.7L Flexplate Qty: 1	Ford Flexplate Washer Qty: 1	Blue Threadlocker Qty: 1

Introduction

BD Diesel Performance Ford Flexplates were designed to withstand the high torque produced from modified Powerstroke engines. Fully billet machined and black oxide coated for good looks and performance.

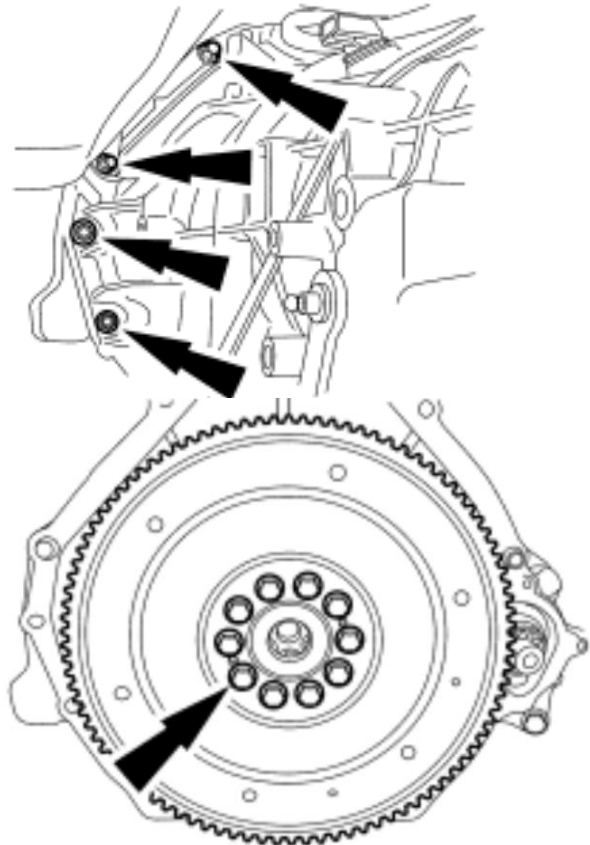
- Over two times stronger than OEM
- Counterweight machined into flexplate, **NO** weld on weights.
- Black oxide coating does not cause hydrogen embrittlement like zinc plating
- Heat treated ring gear to withstand torque required to start modern diesel engines

Installation



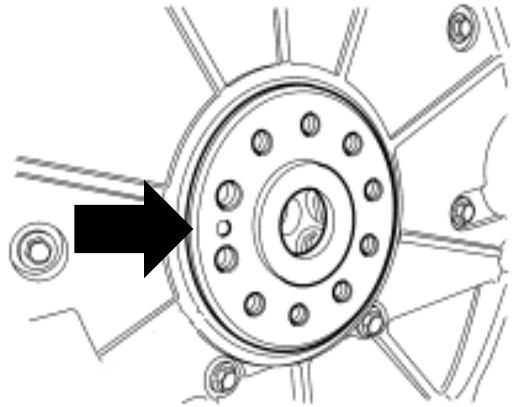
Disconnect both batteries, and secure vehicle before installation for safety.

Remove transmission, and factory flexplate from the truck.



IMPORTANT: Some engines have a spacer on the back of the crankshaft. Do not remove or discard this spacer.

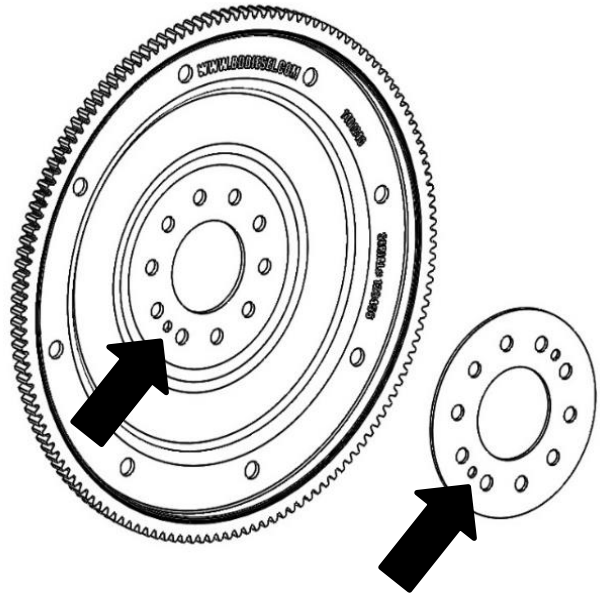




Install BD Diesel flexplate onto the crankshaft, followed by the washer.



NOTE: Ensure crankshaft dowel aligns with the locating hole on the flexplate, and washer (see arrows).



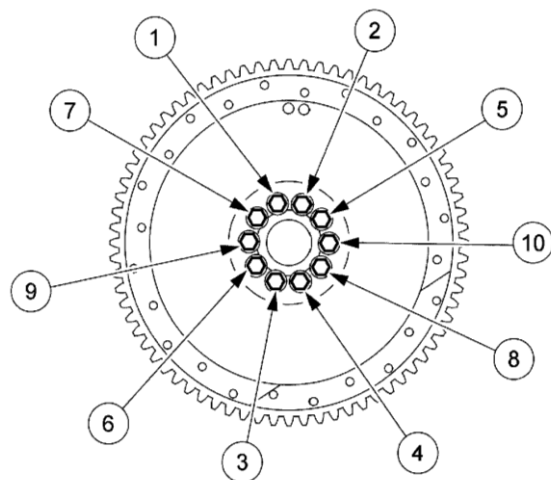
Re-install crankshaft bolts. Tighten in a two stage sequence following the order outlined in the below steps and images.

6.0L Powerstroke engines:

Kit Part No: **1041242**

Torque to the below spec following the sequence in the image to the right.

1. Torque to **4 ft-lbs**
2. Torque to **69 ft-lbs**



6.4L Powerstroke engines:
Kit Part No: **1041240**

Torque to the below spec following the sequence in the image to the right.

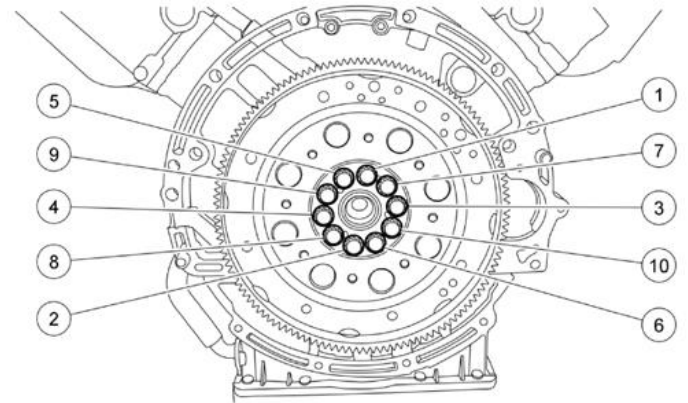
1. Torque to **4 ft-lbs**
2. Torque to **69 ft-lbs**



6.7L Powerstroke engines:
Kit Part No: **1041245**

Torque to the below spec following the sequence in the image to the right.

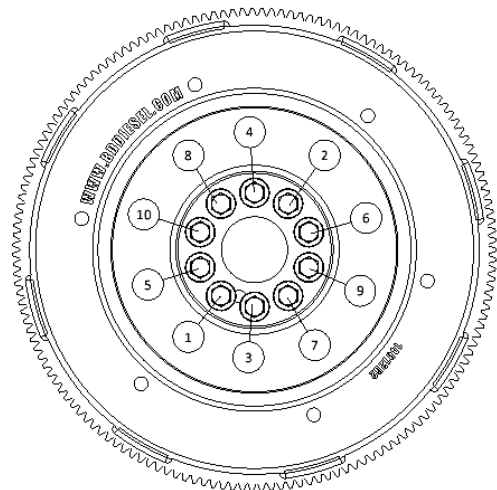
1. Torque to 4 ft-lbs
2. Final torque to 74 ft-lbs



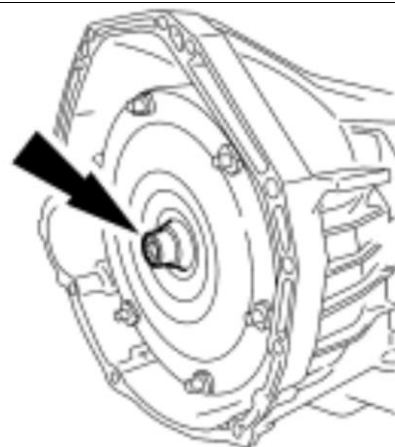
7.3L Powerstroke engines:
Kit Part No: **1041241**

Torque to the below spec following the sequence in the image to the right.

1. Torque to 4 ft-lbs
2. Final torque to 89 ft-lbs



Lubricate the torque converter hub with multi-purpose grease, and re-install the transmission.





Install and torque flexplate nuts
to the below specification:

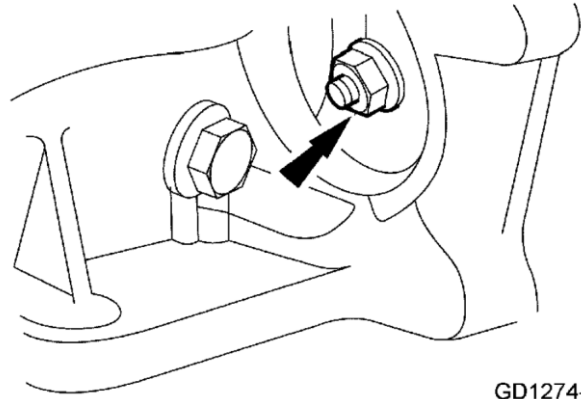
Torque Converter Nuts:

Ford 6L= **26 ft-lbs**

Ford 6.4L= **35 ft-lbs**

Ford 6.7L= **35 ft-lbs**

Ford 7.3L= **26 ft-lbs**



GD1274-A

NOTE: Do not over-torque these
fasteners!