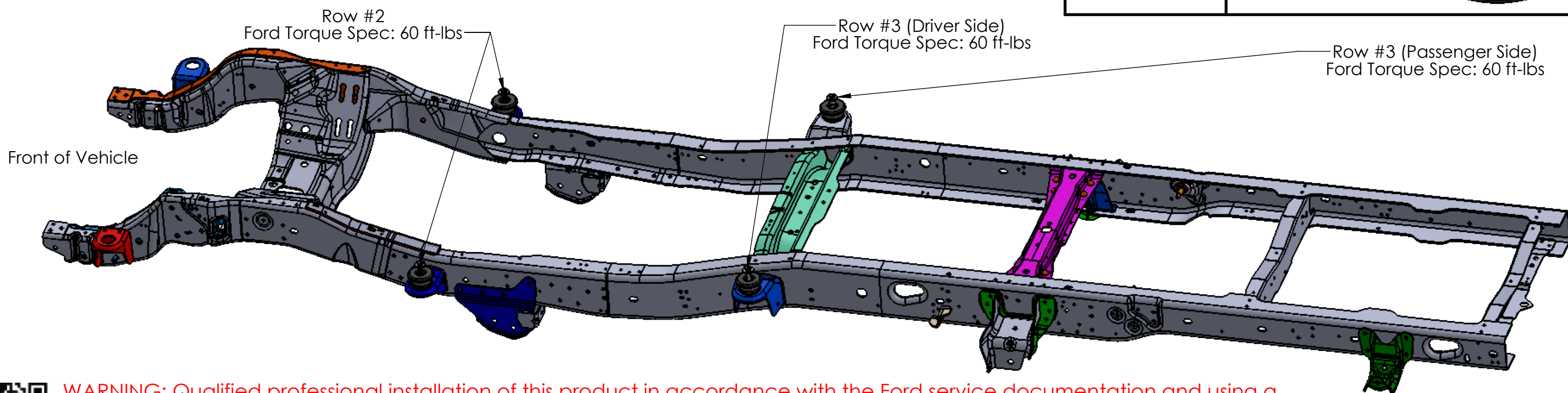
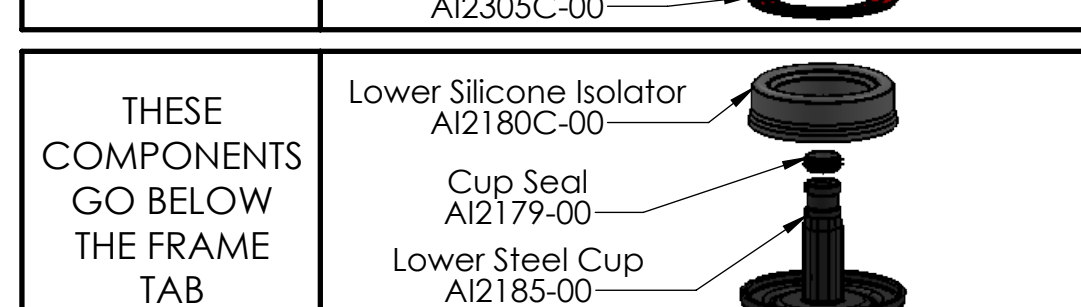
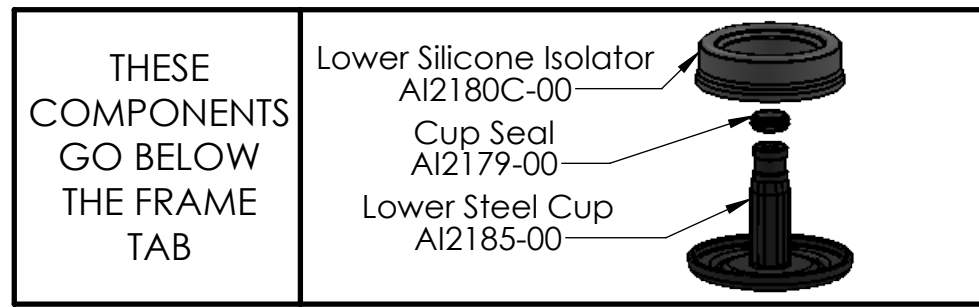
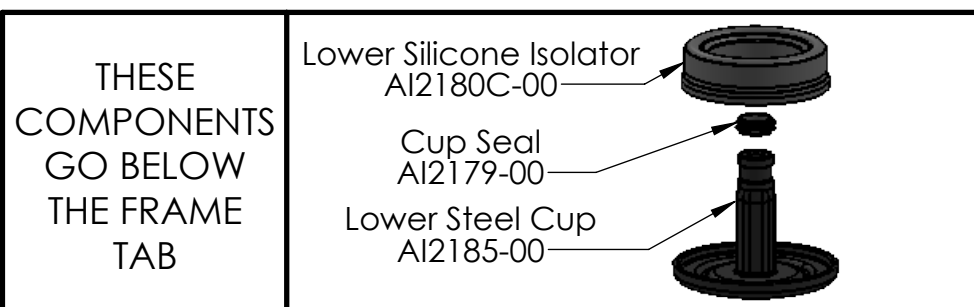
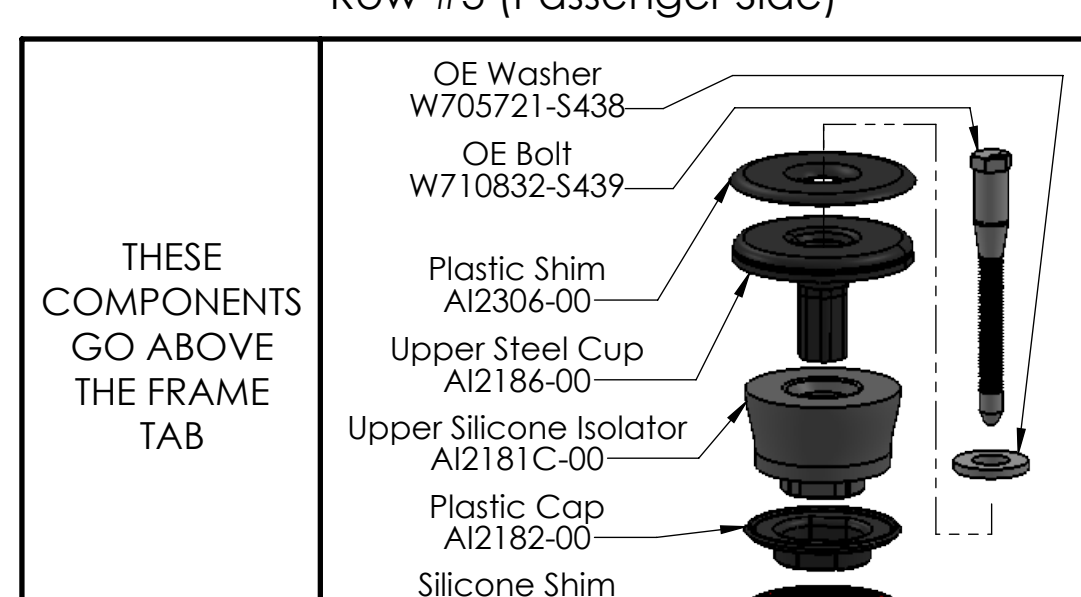
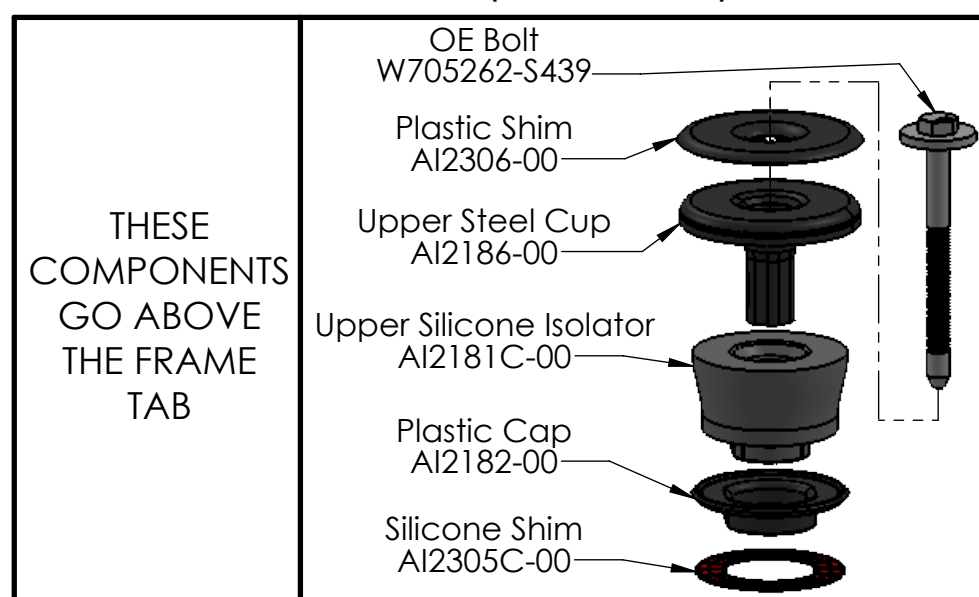
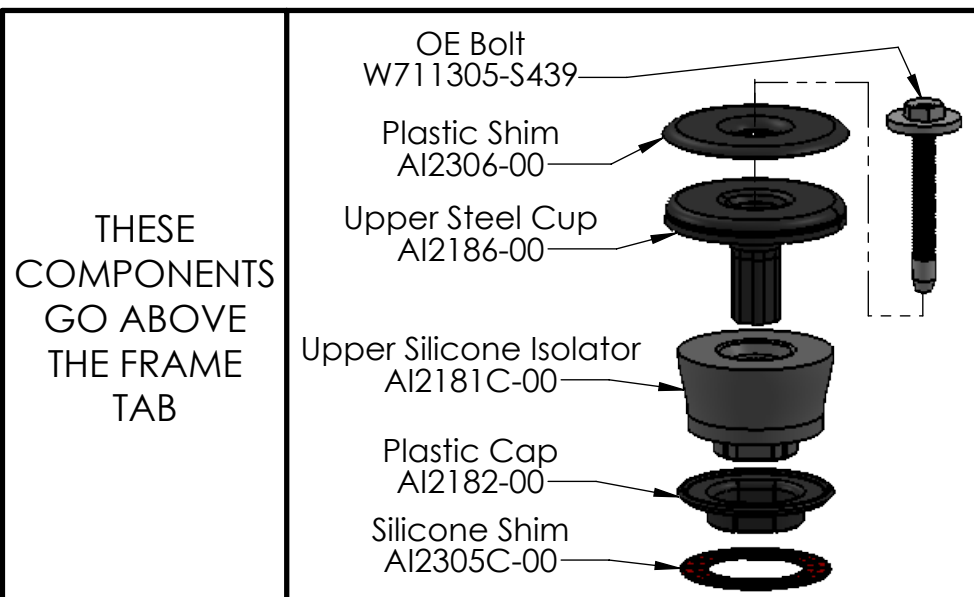


Row #2

Row #3 (Driver Side)

Row #3 (Passenger Side)



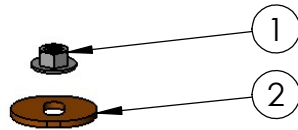
WARNING: Qualified professional installation of this product in accordance with the Ford service documentation and using a vehicle lift is required.

Install according to the supplied Ford Torque Spec for the best ride and to avoid damaging your truck. Do not attempt self-installation of this product or use an impact wrench at anytime. Self-installation using a jack or other lifting device could result in personal injury and/or damage to your vehicle. S&B shall not be liable for any loss, damage, including any incidental or consequential damages, fire, explosion, injury, or death as a result of self-installation of this product. The S&B Warranty will be voided if this product is not installed by a qualified professional or if an impact wrench is used. Visit sbfilters.com for warranty and other information.

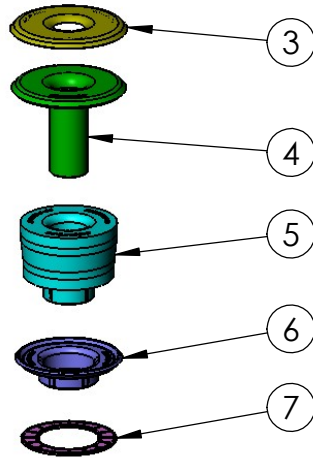


Part Number: 81-1000
2003-2007 Ford Powerstroke
6.0L Reg/Ext Cab

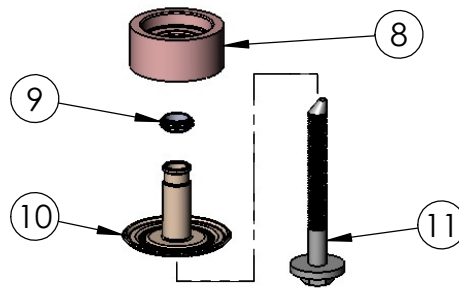
THESE COMPONENTS GO
INSIDE THE ENGINE BAY



THESE COMPONENTS GO
ON TOP OF THE BOXED FRAME



THESE COMPONENTS GO
INSIDE THE BOXED FRAME



ITEM NO.	PartNo	DESCRIPTION	QTY.
1	AI2406-00	FORD N801995-S436 (M12 LOCKING NUT W/ WASHER)	1
2	AI2405-00	UPPER WASHER	1
3	AI2404-00	PLASTIC SHIM	1
4	AI2403-00	UPPER CUP	1
5	AI2399C-00	UPPER ISOLATOR	1
6	AI2400-00	PLASTIC CAP	1
7	AI2401C-00	SILICONE SHIM	1
8	AI2398C-00	LOWER ISOLATOR	1
9	AI2179-00	CUP SEAL	1
10	AI2402-00	LOWER CUP	1
11	AI2204-00	FORD W712879-S439	1

TORQUE NUT TO 60 FT-LBS.

INSTALL COMPONENTS IN THE CORRECT LOCATION
ACCORDING TO THIS DIAGRAM. COMPONENTS
INSTALLED INCORRECTLY WILL CAUSE CLUNKING
NOISE AND MAY RESULT IN DAMAGE TO THE VEHICLE.