



# Z5130

20" x 17" Countertop Lavatory

TAG \_\_\_\_\_



### Z5130 Series

- 20" [508 mm] x 17" [432 mm]
- Vitreous china
- Faucet holes for single, 4" or 8" centers
- Self-rimming front overflow design
- Waste: 1-1/4" O.D.
- Depth: 4-3/4"
- Shipping Weight: 22 lbs.

### Engineering Specification:

- Z5131 Lavatory** - 20" x 17" vitreous china, self-rimming, countertop lavatory with single faucet hole.
- Z5134 Lavatory** - 20" x 17" vitreous china, self-rimming, countertop lavatory with 4" center faucet holes.
- Z5138 Lavatory** - 20" x 17" vitreous china, self-rimming, countertop lavatory with 8" center faucet holes.

### Z5130 Series

#### Recommended Trim:

- Z8743-PC** Grid Strainer
- Z8700 SERIES** P-Trap
- Z8800 SERIES** Stop with flexible supplies
- Z8946-1-NT** ADA trap, stop, and supply protectors

#### Optional Trim:

- Z8746-PC** ADA grid Strainer
- Z8946-3-NT** ADA trap, stop, and supply protectors for offset grid strainers.

*These dimensions and specifications are subject to change without notice.*

*Fixture dimensions meet ANSI/ASME standard A112.19.2 and CAN/CSA B45 requirements.*

*Meets the American Disabilities Guidelines and ANSI A117.1 requirements when lavatory is installed 864mm (34") from finished floor.*



This space is for Architectural/engineering Approval

See Zurn One Systems for suggested packages.

**Zurn Plumbing Products Group** Commercial Brass and Fixtures Operation  
2640 South Work Street · Falconer, NY 14733 · Phone: 716-665-1132 · Fax: 716-665-1135 · www.zurn.com



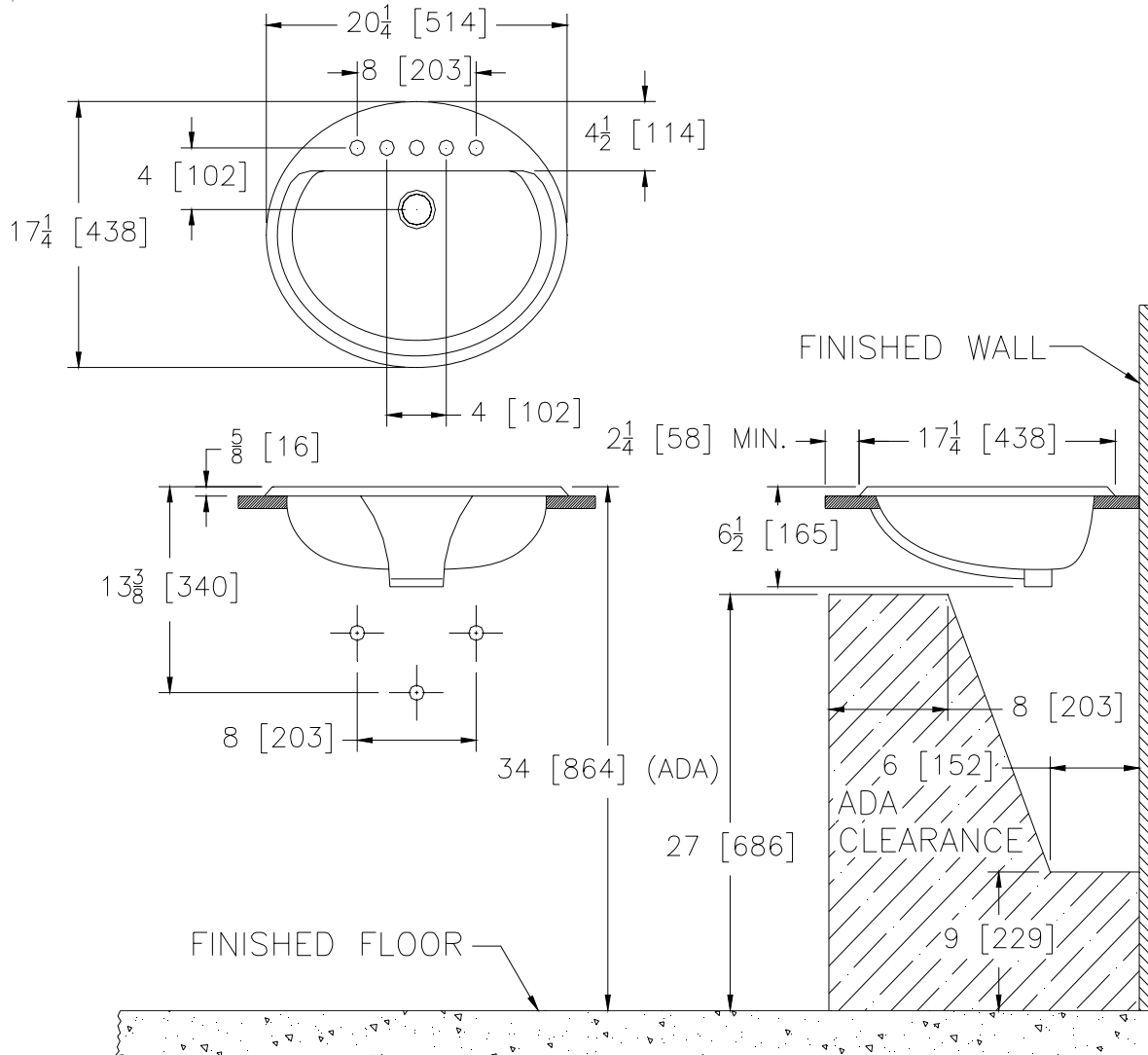
# Z5130

## 20" x 17" Countertop Lavatory Rough-in

TAG \_\_\_\_\_

Rough-in dimensions for Z5130 Series

- Z5131 Countertop Lavatory with single faucet hole
- Z5134 Countertop Lavatory with 4" center faucet holes
- Z5138 Countertop Lavatory with 8" center faucet holes



These dimensions and specifications are subject to change without notice.

Fixture dimensions meet ANSI/ASME standard A112.19.2 and CAN/CSA B45 requirements.

Meets the American Disabilities Guidelines and ANSI A117.1 requirements when lavatory is installed 864mm (34") from finished floor.



**Zurn Plumbing Products Group** Commercial Brass and Fixtures Operation

2640 South Work Street · Falconer, NY 14733 · Phone: 716-665-1132 · Fax: 716-665-1135 · www.zurn.com

REV.

DWG. NO. 84285

DATE: 8/4/09

C.N. NO. 110032

PRODUCT NO. Z5130