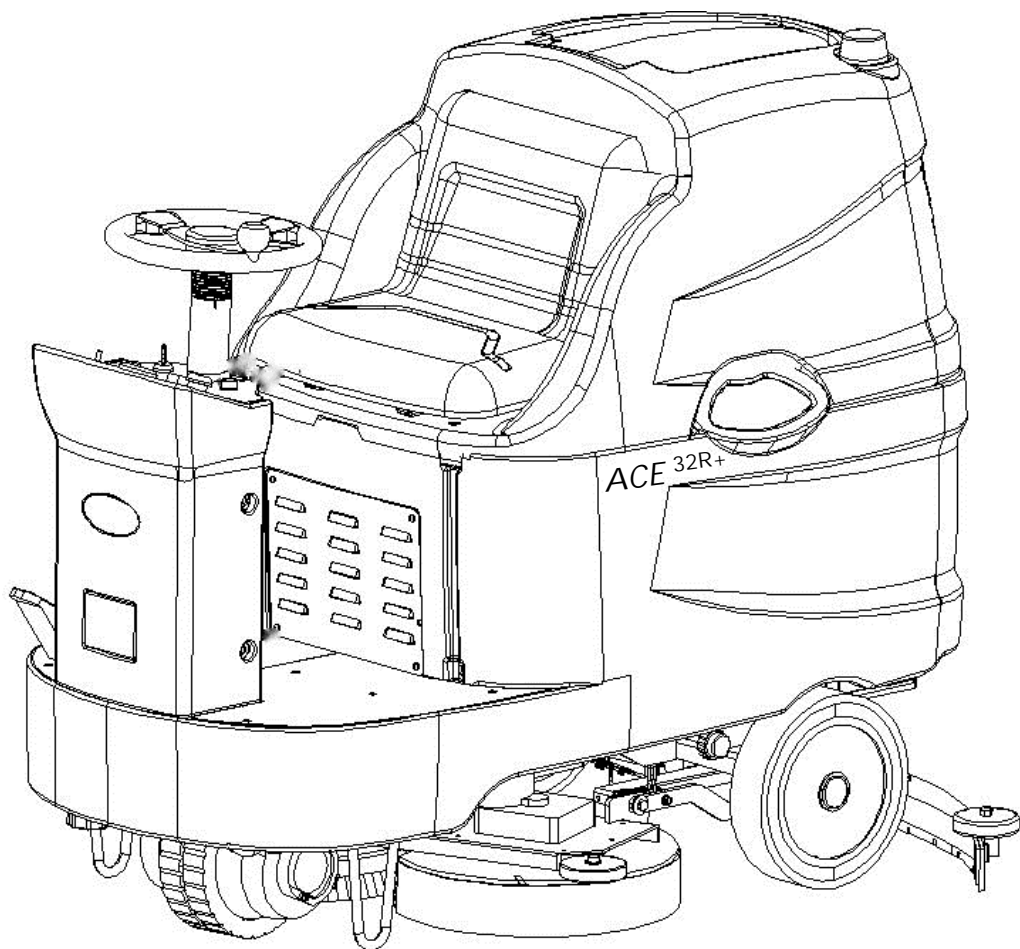


# ACE 32R+

## PARTS MANUAL



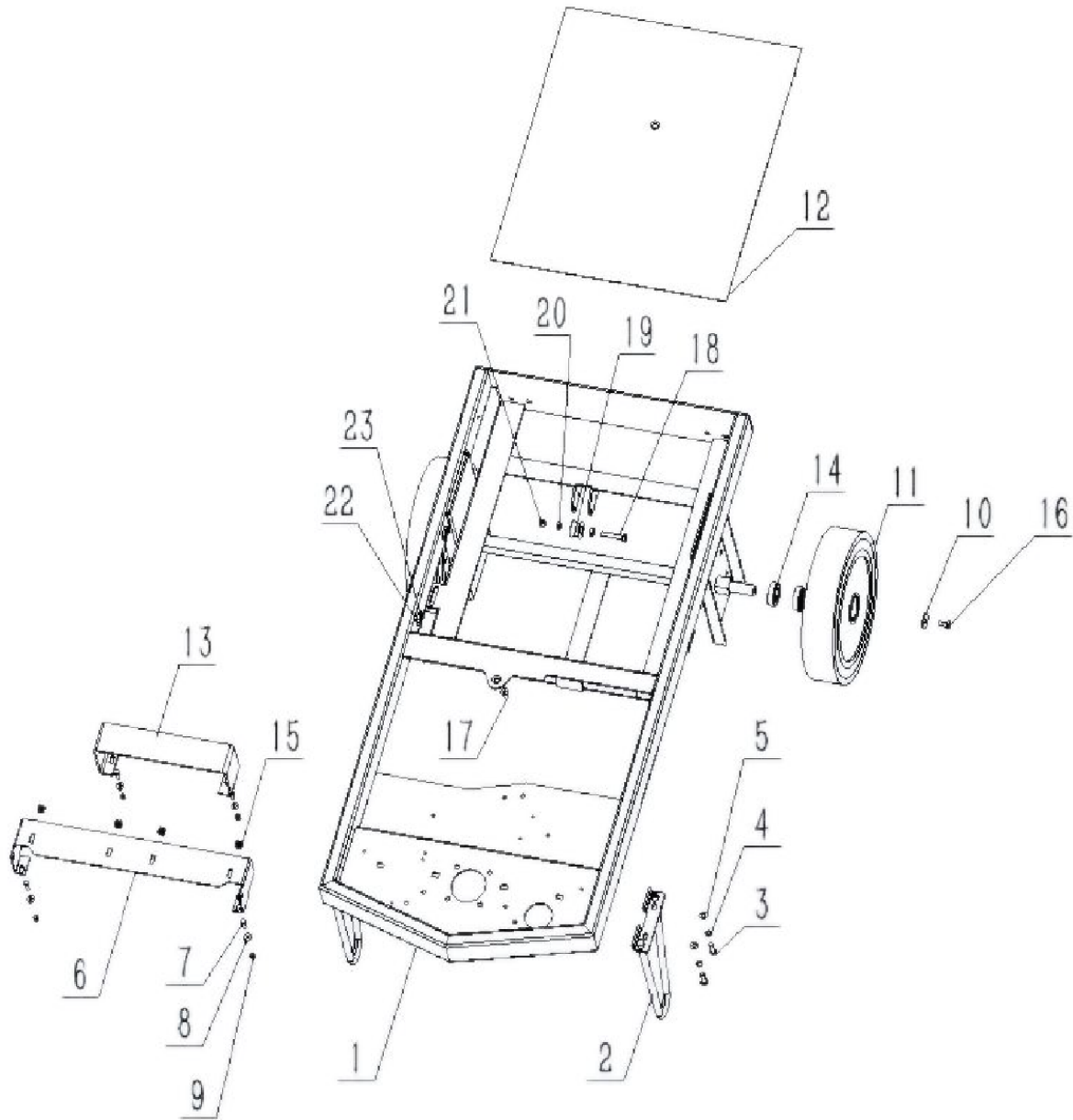
# TABLE OF CONTENTS

---

FRAME ASSEMBLY .....	3-4
SCRUB DECK LEVER ASSEMBLY .....	5
SUPPORT FRAME ASSEMBLY .....	6
LIFTING BRACKET ASSEMBLY .....	7
FRONT DRIVE ASSEMBLY .....	8
STEERING ASSEMBLY .....	9-10
CONTROL PANEL .....	11
SOLUTION TANK .....	12-13
RECOVERY TANK .....	14-15
SCRUB DECK .....	16
SQUEEGEE ASSEMBLY .....	17
WATER ASSEMBLY .....	18
BATTERIES AND CHARGER .....	19

# FRAME ASSEMBLY

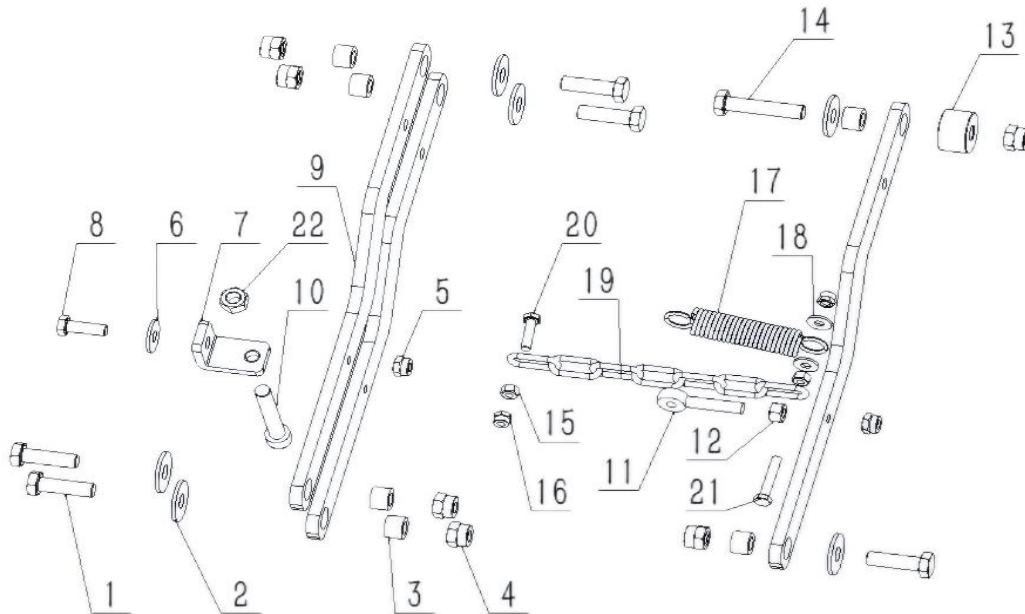
---



## FRAME ASSEMBLY, CONTINUED

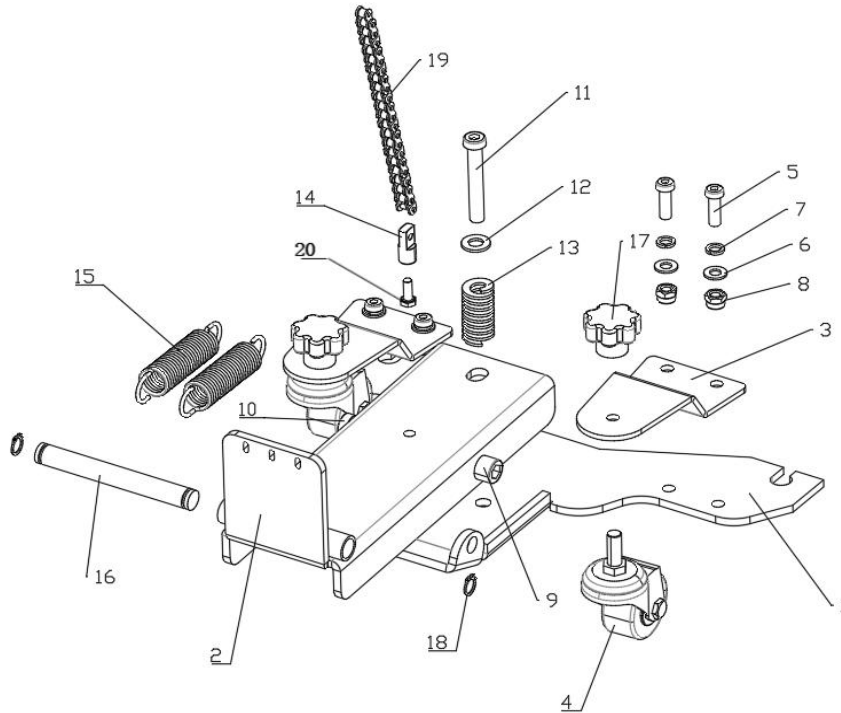
ITEM	PART NUMBER	DESCRIPTION	QTY
1	10121H	FRAME 620 x 1216 mm	1
2	10122H	SUPPORT 250 x 136 mm	2
3	10133N	SCREW M8-25	6
4	10121N	LOCK WASHER M8	6
5	10126N	WASHER M8-16x1	4
6	10123H	PEDAL SUPPORT 518 x 60 mm	1
7	10118N	SCREW M6-20	4
8	10182N	WASHER M6-18x1	4
9	10129N	LOCK NUT M6	4
10	10235N	WASHER M8-32x3	2
11	10133P	WHEEL	2
12	10156H	BATTERY BASE	1
13	10140H	SUPPORT PLATE 300 x 65 mm	1
14	10289N	BEARING	8
15	10228N	NUT M5	4
16	10132N	SCREW M8-20	2
17	10173N	SCREW M8-18	1
18	10116N	SCREW M8-50	1
19	10114M	PULLEY 35 x 20	1
20	10155N	BEARING	2
21	10130N	LOCK NUT M8	1
22	10103N	SUPPORT PLATE	4
23	10136N	SCREW M5-12	4

# SCRUB DECK LEVER ASSEMBLY



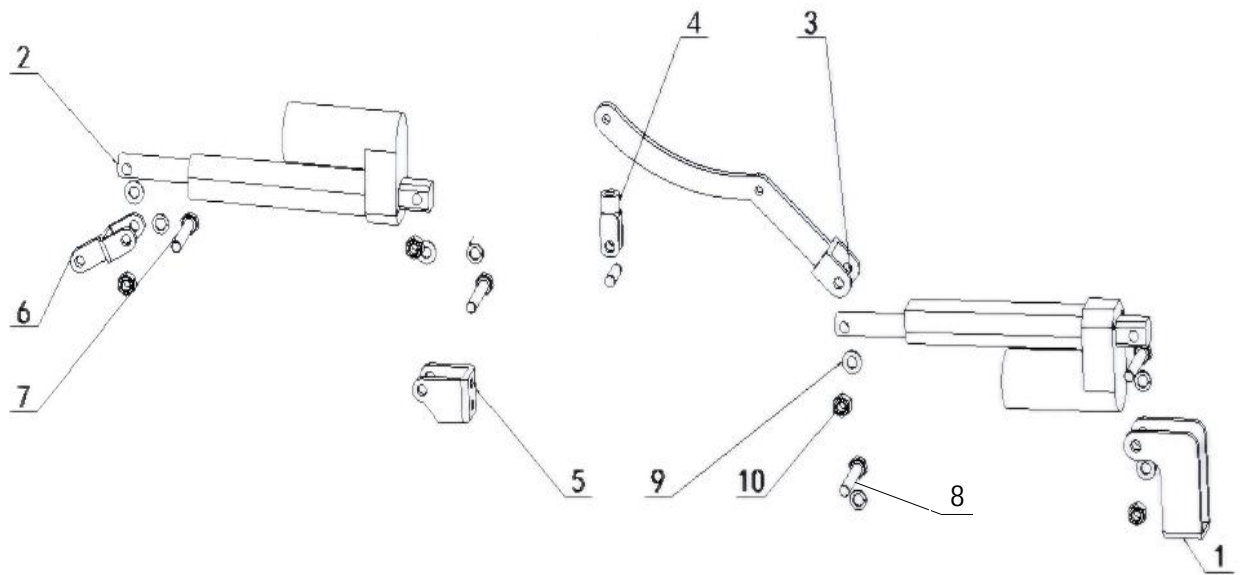
ITEM	PART NUMBER	DESCRIPTION	QTY
1	10175N	SCREW M10-35	5
2	10176N	WASHER M10-30x2.5	11
3	10115M	BUSHING M10-16x11.5	6
4	10177N	LOCK NUT M10	6
5	10130N	LOCK NUT M10	2
6	10127N	WASHER M8-24x2	1
7	10126H	SUPPORT 36 x 31 mm	1
8	10133N	SCREW M8-25	1
9	10125H	ARM 366mm	3
10	10162N	SCREW M10-65	1
11	10180N	LIFTING EYE BOLT M8x35	1
12	10157N	NUT M8	1
13	10126M	WASHER 10.5 x 30 x 18.5 mm	1
14	10181N	SCREW M10-50	1
15	10131N	NUT M6	3
16	10129N	LOCK NUT M6	2
17	10116M	EXTENSION SPRING 2.8 x 20 x 93 mm	1
18	10182N	WASHER M6-18x1	2
19	10417N	STEEL CHAIN, 7 SEGMENTS	1
20	10183N	SCREW M6-25	1
21	10179N	BOLT M6-35	1
22	10330N	NUT M10	1

# SUPPORT FRAME ASSEMBLY



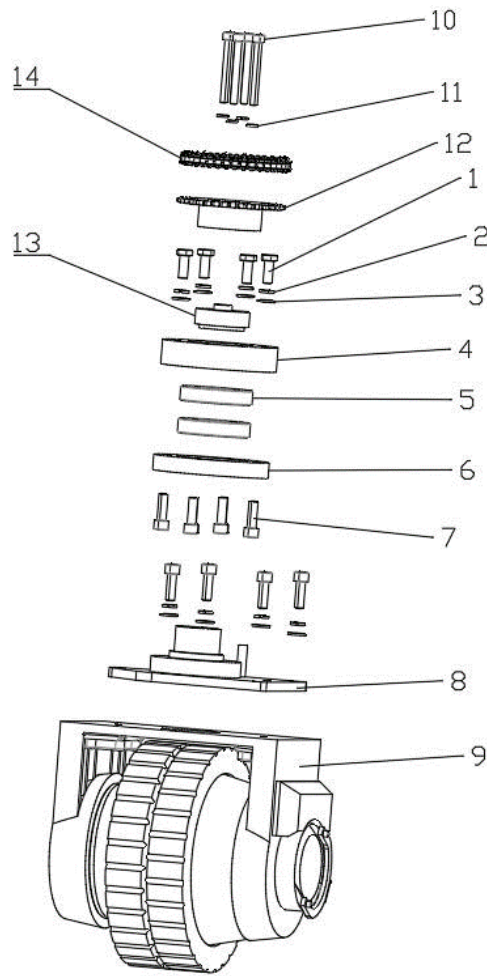
ITEM	PART NUMBER	DESCRIPTION	QTY
1	10127H	COUPLING 318mm	1
2	10135H	SUPPORT 286 x 96 mm	1
3	10136H	SUPPORT 80 x 137 mm	2
4	10118P	CASTER WHEEL	2
5	10115N	SCREW M8-25	4
6	10126N	WASHER M8-16x1	4
7	10121N	LOCK WASHER M8	4
8	10130N	LOCK NUT M8	4
9	10160N	SCREW M12-110	1
10	10161N	LOCK NUT M12	1
11	10162N	SCREW M10-65	1
12	10163N	WASHER M10-20x2	1
13	10164N	RECTANGULAR SPRING	1
14	10172N	CONNECTOR TYPE I M6	1
15	10111M	EXTENSION SPRING 2.8 x 20 x 109 mm	2
16	10112M	SHAFT 15 x 124 mm	1
17	10125P	FLOWER NUT M10	2
18	10167N	SNAP RING 12	2
19	10170N	CHAIN 9 SEGMENTS (WITH JOINT)	1
20	10118N	SCREW M6-20	1

# LIFTING BRACKET ASSEMBLY



ITEM	PART NUMBER	DESCRIPTION	QTY
1	10241H	NOSE PUSHROD FASTENER	1
2	10226E	36V LINEAR ACTUATOR	2
3	10240H	LEVER	1
4	10165N	CONNECTOR TYPE YY-16	1
5	10238H	PULL HEAD PUSHROD FASTENER	1
6	10239H	LEVER	1
7	10116N	SCREW M8-50	4
8	10121N	SCREW M8-45	4
9	10126N	WASHER M8-16x1	4
10	10130N	LOCK NUT M8	4

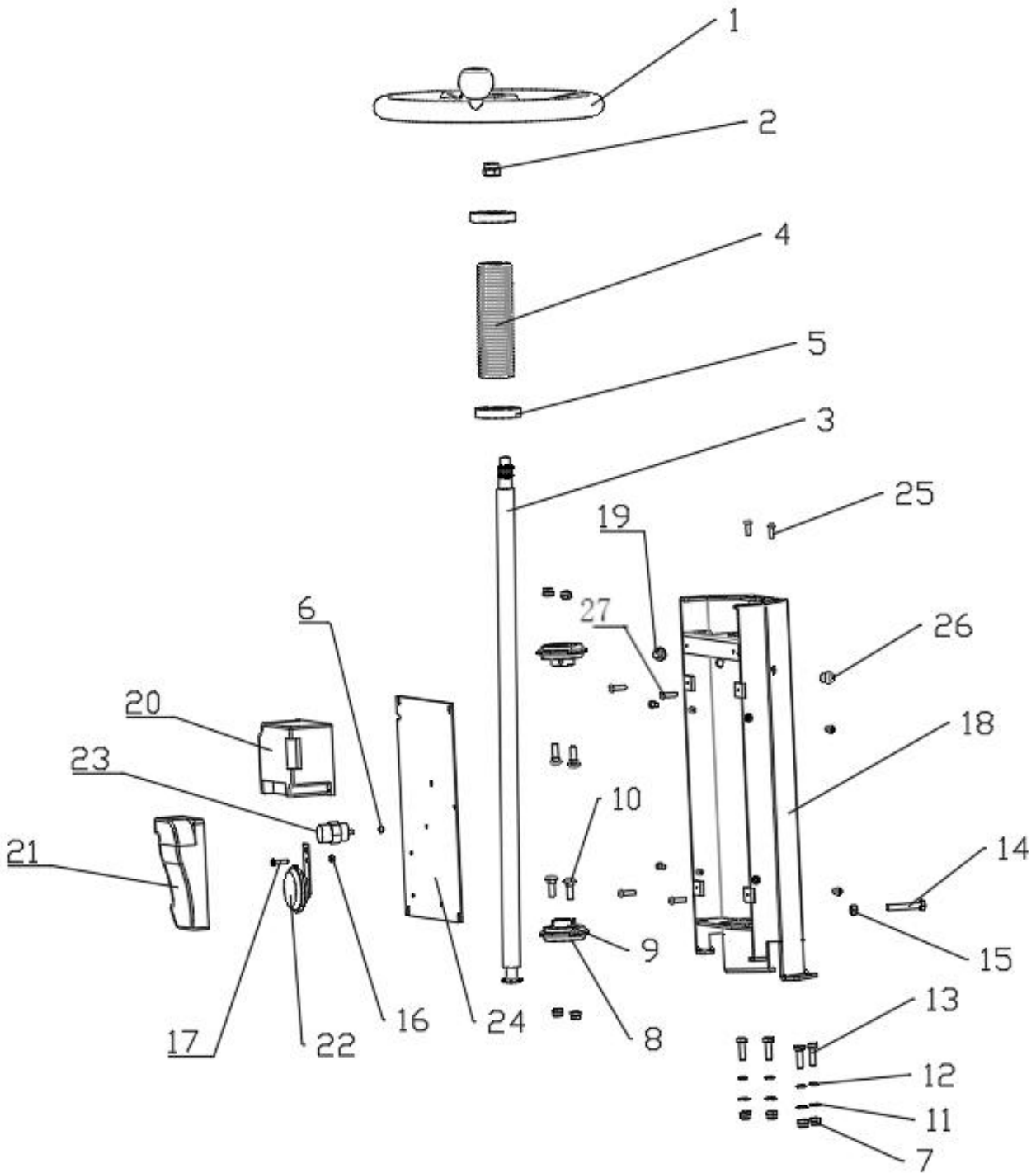
# DRIVER ASSEMBLY



ITEM	PART NUMBER	DESCRIPTION	QTY
1	10195N	SCREW M10-25	4
2	10185N	LOCK WASHER M10	8
3	10163N	WASHER M10-20x2	8
4	10122M	BEARING BLOCK 128 x 27 mm	1
5	10196N	BEARING	2
6	10123M	BEARING BLOCK 128 x 17 mm	1
7	10197N	SCREW M10-30	8
8	10113M	SUPPORT	1
9	10126E	36V DRIVE MOTOR	1
10	10199N	SCREW M8-70	4
11	10121N	LOCK WASHER M8	4
12	10120M	GEAR 120mm	1
13	10121M	WASHER 20 x 60 x 27 mm	1
14	10200N	CHAIN	1



# STEERING ASSEMBLY

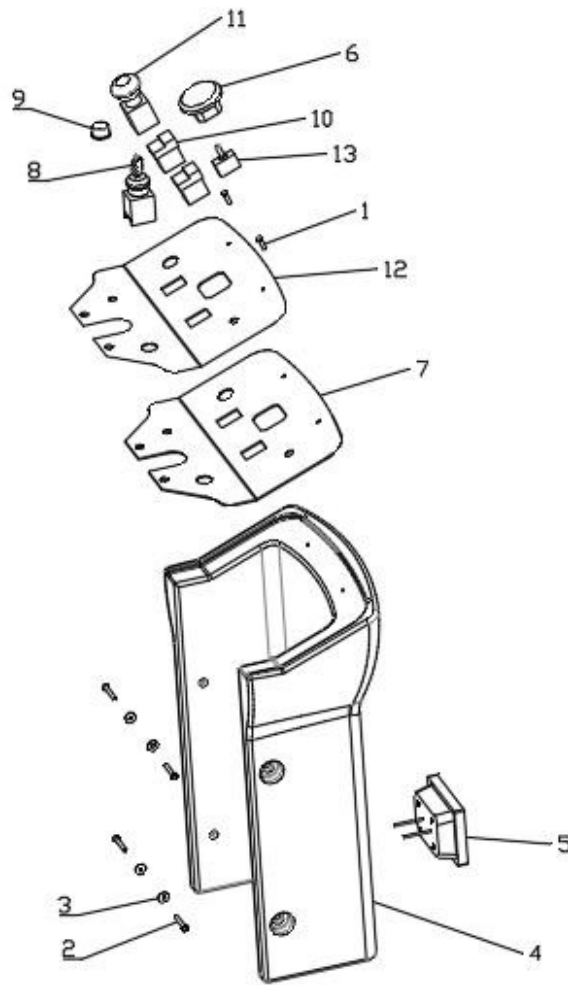


## STEERING ASSEMBLY, CONTINUED

---

ITEM	PART NUMBER	DESCRIPTION	QTY
1	10202N	STEERING WHEEL 300mm	1
2	10286N	LOCK NUT M8	1
3	10124M	STEERING SHAFT 732mm	1
4	10206N	BELLOWS 50 x 160 mm	1
5	10131P	CAP	2
6	10131N	LOCK NUT M6	1
7	10130N	LOCK NUT M8	8
8	10209N	BEARING BLOCK	4
9	10210N	BEARING	2
10	10211N	SQUARE NECK BOLT M8-20	4
11	10126N	WASHER M8-16x1	4
12	10121N	LOCK WASHER M8	4
13	10133N	SCREW M8-25	4
14	10307N	SCREW M8-45	1
15	10157N	NUT M8	1
16	10129N	NUT M6	1
17	10118N	SCREW M6-20	1
18	10132H	SUPPORT 595 x 250 mm	1
19	10169E	HEAD LIGHT SWITCH	1
20	10131E	36V SUCTION MOTOR/BRUSH CONTROL	1
21	10130E	36V DRIVE CONTROLLER	1
22	10133E	HORN	1
23	10116E	CATHODE INSULATING COLUMN	1
24	10137H	COVER 311 x 238 mm	1
25	10287N	SCREW M6-20	6
26	10137E	HORN BUTTON	1
27	10112N	SCREW M6-16	4

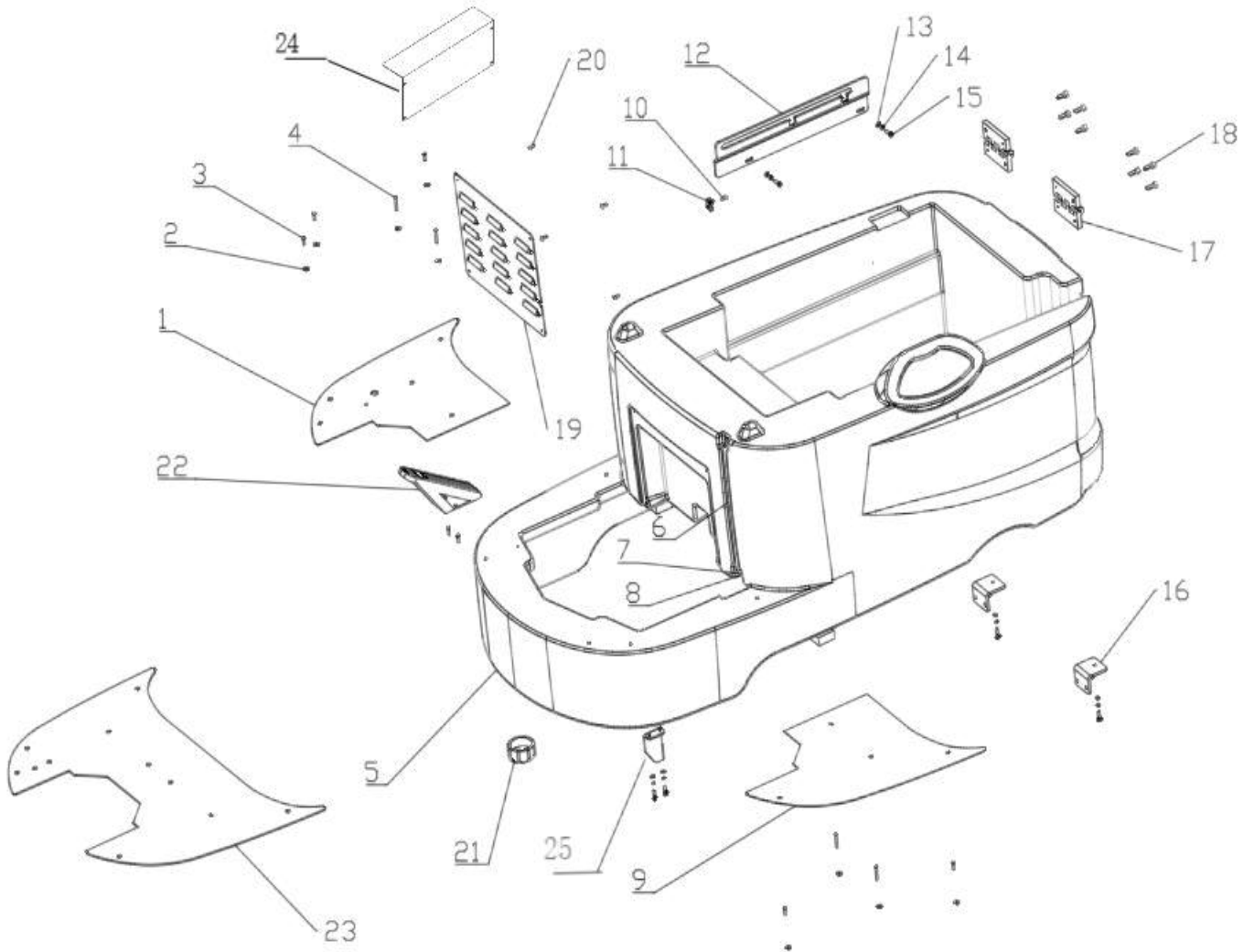
# CONTROL PANEL



ITEM	PART NUMBER	DESCRIPTION	QTY
1	10207N	SCREW M5-16	2
2	10218N	SCREW M5-35	4
3	10241P	PLASTIC WASHER M5	4
4	10138P	COVER	1
5	10141E	18W HEAD LIGHT	1
6	10127E	36V BATTERY INDICATOR	1
7	10154H	CONTROL PANEL	1
8	10101E	KEY SWITCH	1
9	10129E	36V SPEED KNOB	1
10	10102E	ROCKER SWITCH	2
11	10134E	36V EMERGENCY STOP	1
12	10108K	CONTROL PANEL PAD	1
13	10135E	SWITCH	1

# SOLUTION TANK ASSEMBLY

---

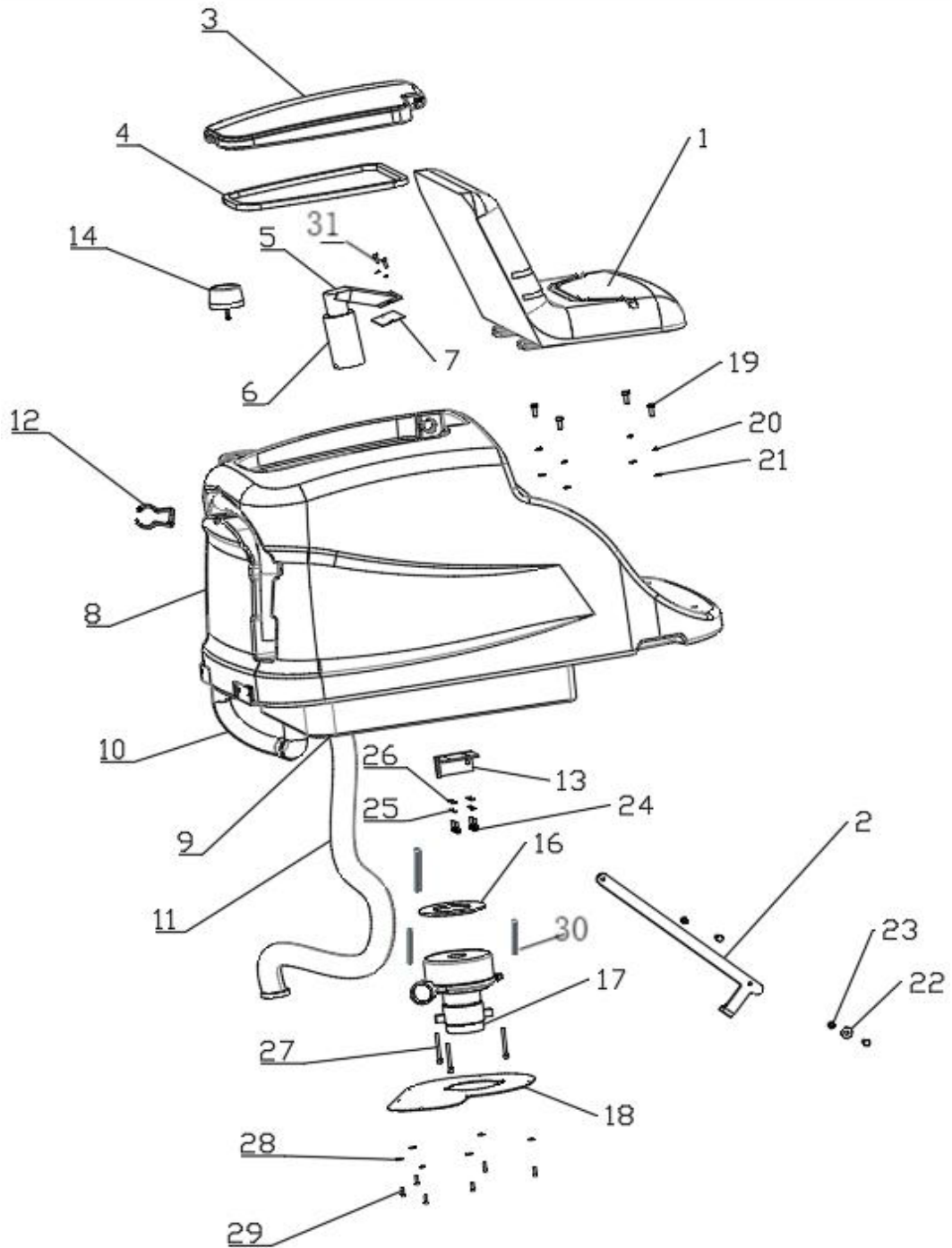


## SOLUTION TANK ASSEMBLY, CONTINUED

---

ITEM	PART NUMBER	DESCRIPTION	QTY
1	10142H	RIGHT BOTTOM PLATE	1
2	10241P	PLASTIC WASHER M5	9
3	10207N	SCREW M5-16	7
4	10218N	SCREW M5-35	4
5	10140P	SOLUTION TANK	1
6	10141P	PIPE	1
7	10142P	CONNECTOR	2
8	20127P	GASKET	2
9	10143H	LEFT BOTTOM PLATE	1
10	10136N	SCREW M5-12	2
11	10103N	SUPPORT	2
12	10129H	SIDE BRACKET 450 x 92 mm	1
13	10125N	WASHER M6-12x1	6
14	10120N	LOCK WASHER M6	6
15	10118N	SCREW M6-20	6
16	10128H	CONNECTING PLATE 60 x 5 mm	2
17	10130P	HINGE 80 x 100 mm	2
18	10114N	SCREW M8-20	8
19	10111H	COVER 343 x 261 mm	1
20	10136N	SCREW M5-12	4
21	10136P	CAP	1
22	10136E	PEDAL	1
23	20164P	BOTTOM PLATE 754 x 538 x 3m	1
24	10289H	WATER PUMP COVER PLATE	1
25	10177H	VALVE SUPPORT	1

# RECOVERY TANK ASSEMBLY

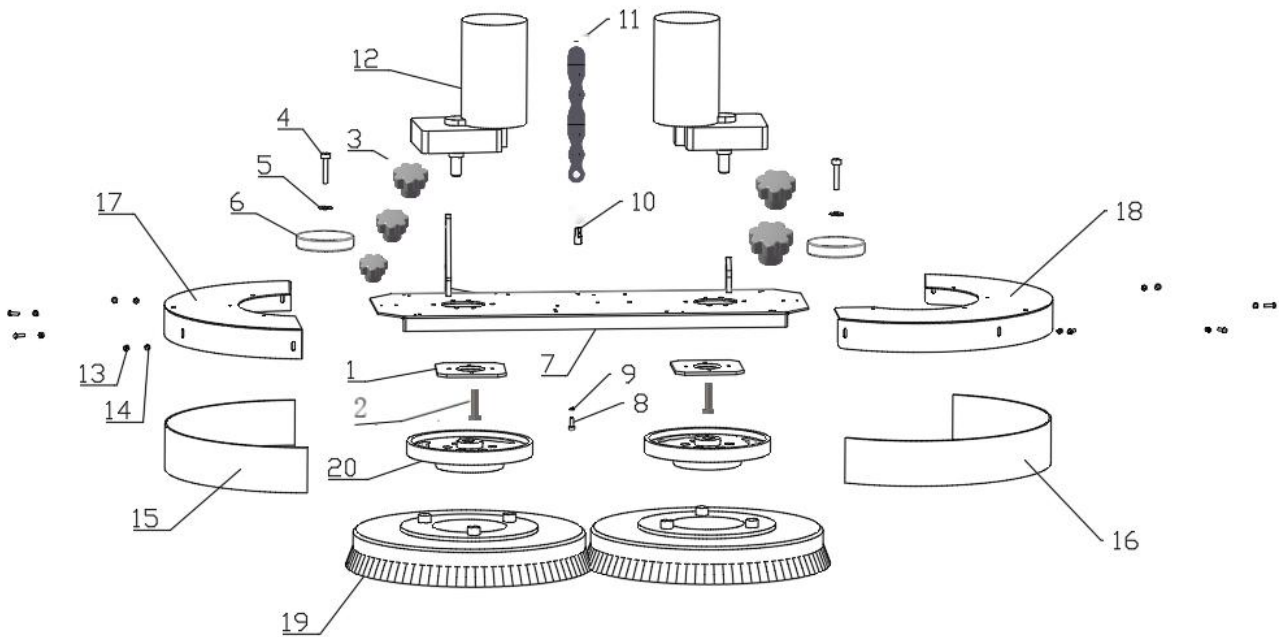


# RECOVERY TANK ASSEMBLY, CONTINUED

---

ITEM	PART NUMBER	DESCRIPTION	QTY
1	10134P	SEAT	1
2	10130H	SUPPORT 500 x 95 mm	1
3	10103P	COVER	1
4	20103P	GASKET	1
5	10106P	SUCTION BODY	1
6	10107P	FILTER ASSEMBLY	1
7	20104P	SUCTION GASKET	1
8	10143P	RECOVERY TANK	1
9	10140N	CLAMP 33-57	1
10	10144P	EXHAUST HOSE	1
11	10145P	SUCTION HOSE	1
12	10108P	CLAMP	4
13	10131H	SUPPORT PLATE 68 x 80 mm	1
14	10142E	36V BLINKING LIGHT	1
16	20142P	CUSHION 140 x 5 mm	1
17	10145E	36V VAC MOTOR	1
18	10141H	VAC MOTOR COVER 165mm	1
19	10132N	SCREW M8-20	6
20	10121N	LOCK WASHER M8	4
21	10126N	WASHER M8-16x1	4
22	10127N	WASHER M8-24x2	1
23	10130N	LOCK NUT M8	2
24	10118N	SCREW M6-20	4
25	10120N	LOCK WASHER M6	4
26	10125N	WASHER M6-12x1	4
27	10154N	SCREW M6-110	3
28	10123N	WASHER M5-15x1	6
29	10136N	SCREW M5-12	6
30	10161P	STUD	3
31	10110N	SCREW M5-16	2

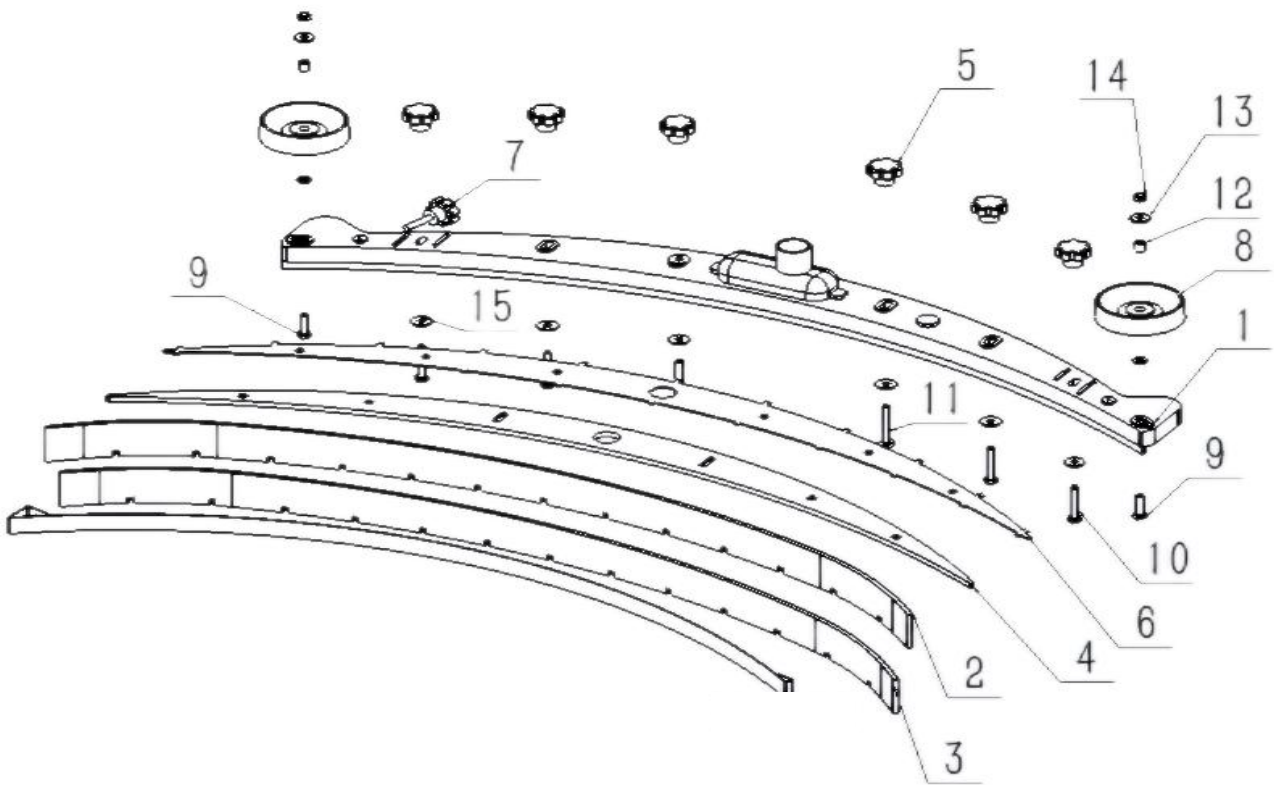
# SCRUB DECK



ITEM	PART NUMBER	DESCRIPTION	QTY
1	10157H	MOTOR PLATE 120 x 120mm	2
2	10132N	SCREW M8-20	2
3	10114P	KNOB M8	5
4	10116N	SCREW M8-50	2
5	10126N	WASHER M8-16x1	2
6	10112P	WHEEL 100mm	2
7	10155H	MOTOR BASE 756 x 235 mm	1
8	10112N	SCREW M6-16	1
9	10120N	LOCK WASHER M6	8
10	10165N	CONNECTOR TYPE YY-16	1
11	10168N	CHAIN 197mm	1
12	10138E	36V BRUSH MOTOR	2
13	10156N	SCREW M5-16	8
14	10128N	LOCK NUT M5	8
15	20118P	RUBBER 85 x 800 mm (17')	1
16	20119P	RUBBER 85 x 870 mm (17')	1
17	10151H	LEFT BRUSH COVER 435mm (17')	1
18	10152H	RIGHT BRUSH COVER 435mm (17')	1
19	10139P	BRUSH 17"	2
20	20101M	BRUSH PLATE 150 x 18mm	2



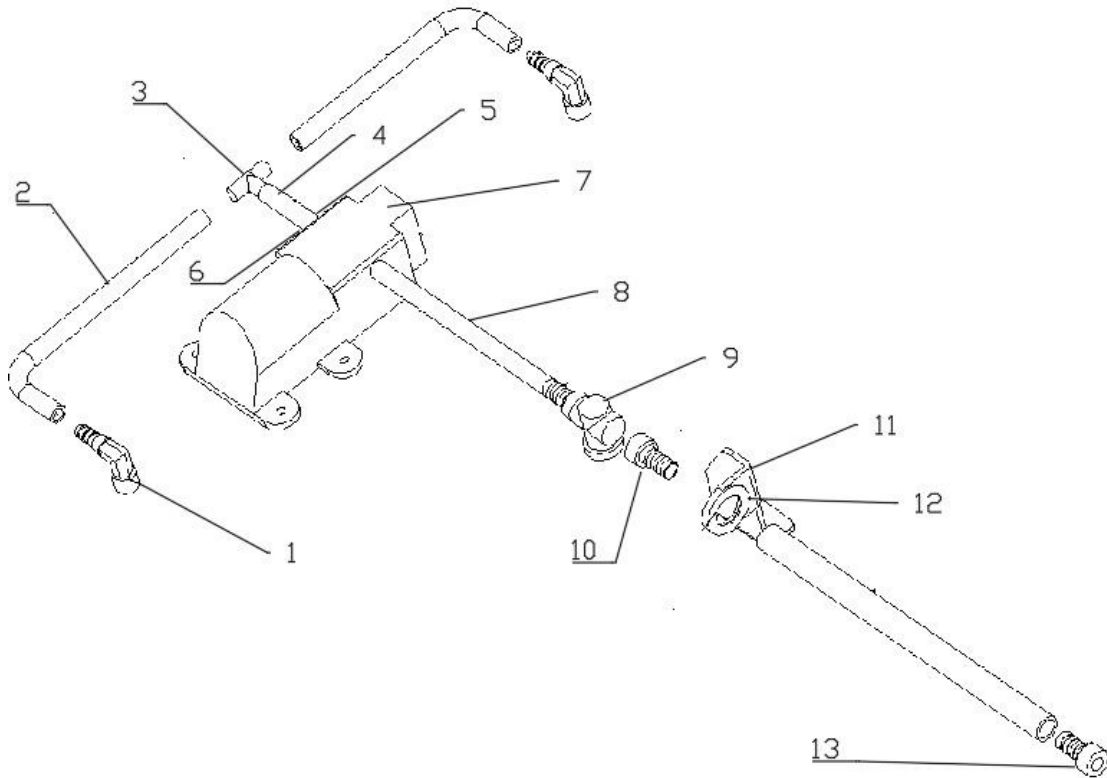
# SQUEEGEE ASSEMBLY



ITEM	PART NUMBER	DESCRIPTION	QTY
1	20103M	SQUEEGEE BODY	1
2	20129P	FRONT SQUEEGEE BLADE	1
3	20128P	REAR SQUEEGEE BLADE	1
4	20144P	SQUEEGEE WEDGE	1
5	10114P	KNOB M8	2
6	10178H	STEEL PLATE	1
7	10281N	SCREW M8	1
8	10113P	WHEEL 10 x 25mm	2
9	10134N	SCREW M8-30	2
10	10116N	SCREW M8-50	4
11	10301N	SCREW M8-60	2
12	10144M	BUSHING M8-12x4	2
13	10126N	WASHER M8-16x1	2
14	10130N	LOCK NUT M8	2
15	10127N	WASHER M8-24x2	4
	20169A	SQUEEGEE ASSEMBLY 32R	

# WATER ASSEMBLY

---



ITEM	PART NUMBER	DESCRIPTION	QTY
1	10105N	ELBOW 3/8-12	2
2	20123P	TUBE	2
3	10171N	T-FITTING	1
4	20124P	TUBE	1
5	10175E	36V SOLENOID VALVE	1
6	20125P	TUBE	1
7	10140E	36V MICRO PUMP	1
8	20126P	TUBE	1
9	10119P	FILTER 3/8	1
10	10226N	CONNECTOR 1/2-3/8	1
11	10134H	SUPPORT 65 x 35 mm	1
12	10101N	1/2 BALL VALVE	1
13	10223N	CONNECTOR	1

# BATTERIES AND CHARGER

---

ITEM	DESCRIPTION	QTY
BATTERY SPECIFICATIONS	<b>6v AGM, 200ah (10" x 7" x 10.75")</b>	6
10304E	EXTERNAL CHARGER 36V, 25A	1