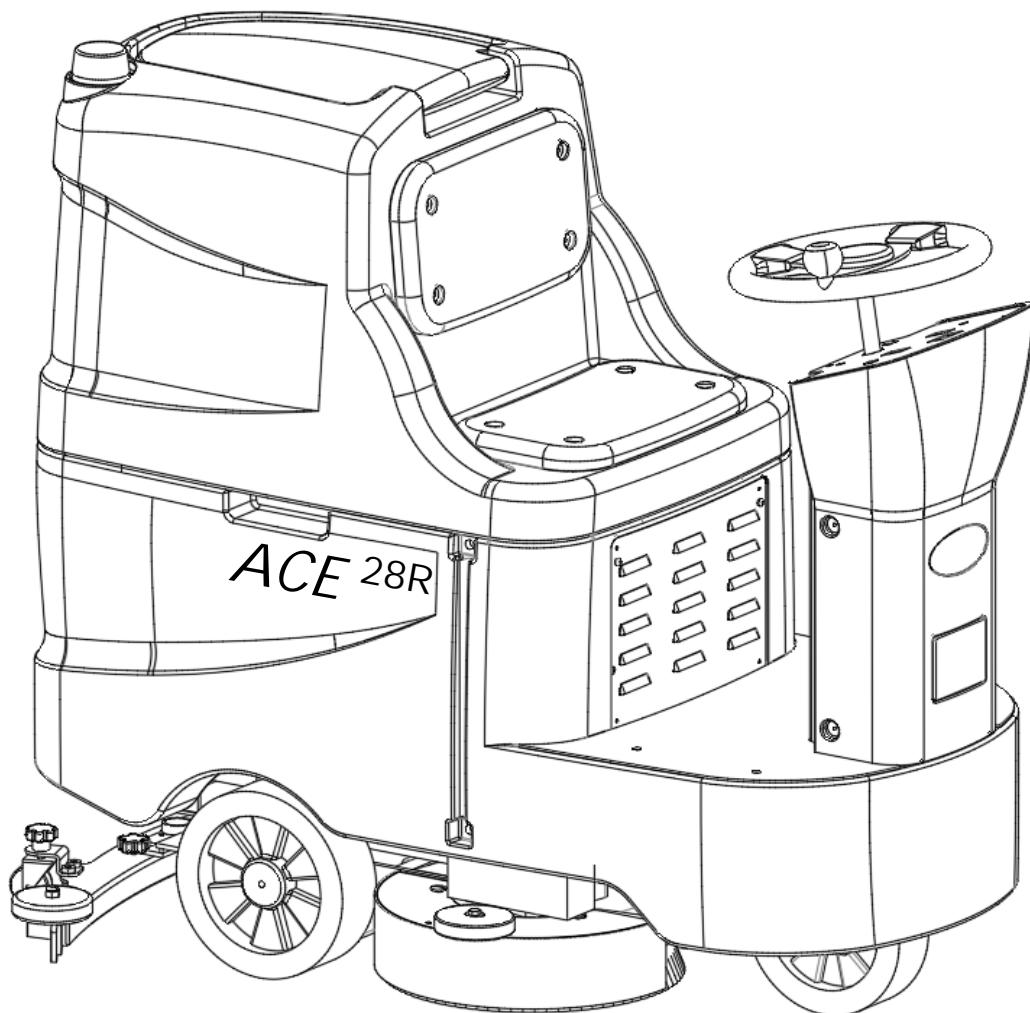


# ACE 28R

## PARTS MANUAL

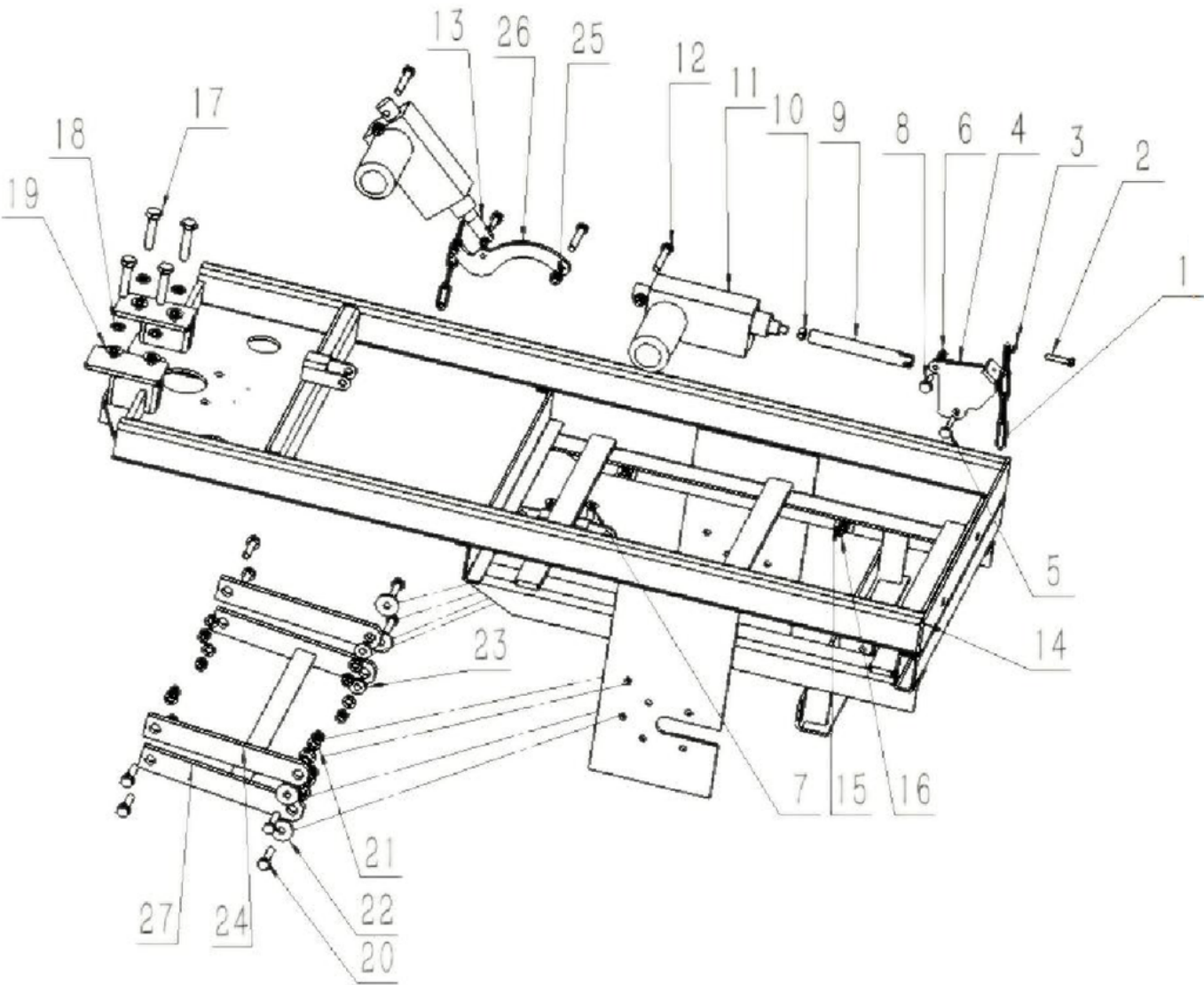


# TABLE OF CONTENTS

---

1. FRAME ASSEMBLY .....	3-4
2. SUPPORT FRAME ASSEMBLY .....	5
3. DRIVER ASSEMBLY .....	6
4. STEERING ASSEMBLY .....	7-9
5. CONTROL PANEL .....	10
6. SOLUTION TANK ASSEMBLY .....	11-12
7. RECOVERY TANK ASSEMBLY .....	13-14
8. BRUSH DECK ASSEMBLY .....	15-16
9. SQUEEGEE ASSEMBLY .....	17
10. WATER ASSEMBLY .....	18
11. ELECTRIC PARTS ASSEMBLY .....	19
12. BATTERIES AND CHARGER.....	20

# FRAME ASSEMBLY

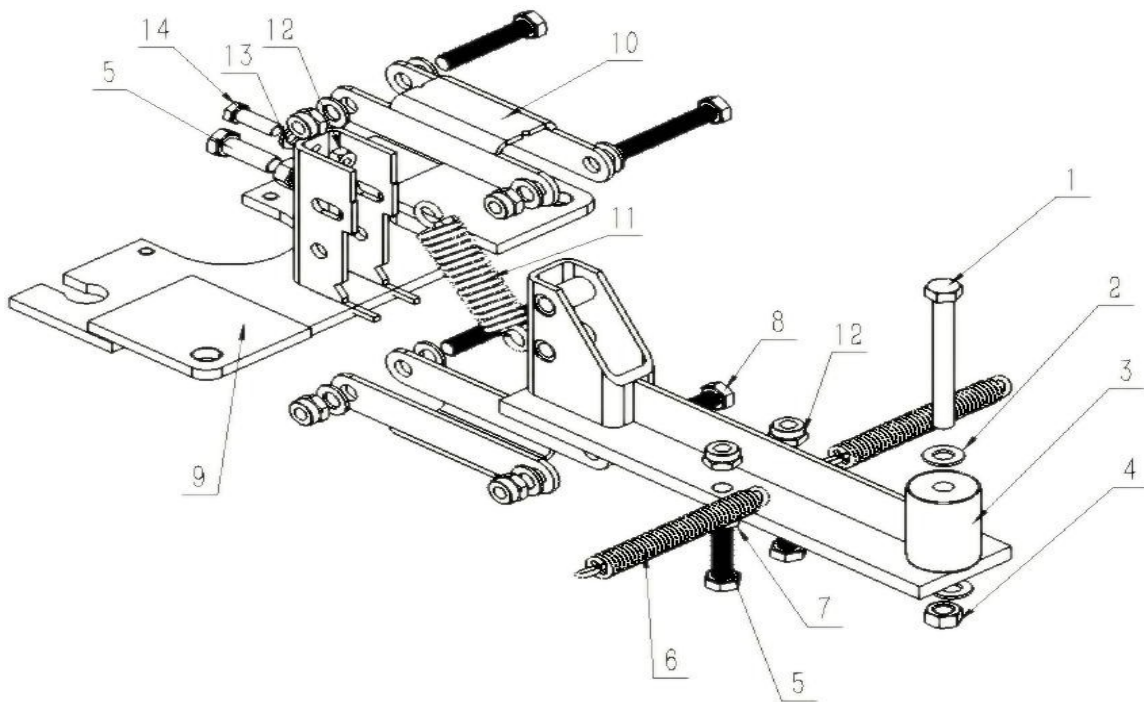


# FRAME ASSEMBLY

---

ITEM	PART NUMBER	DESCRIPTION	QTY.
1	10402N	CHAIN - 08B 3 Section	2
2	10112N	SCREW M6-16	1
3	10125N	WASHER 6-D12x1	2
4	10164H	PLATE 82-74x30	1
5	10288N	SCREW M6-35	1
6	10129N	LOCK NUT M6	1
7	10384N	BOLT M8-25	2
8	10183N	SCREW M6-25	3
9	10149M	CONNECTING ROD D16 x 127mm	1
10	10157N	NUT M8	2
11	10171E	LINEAR ACTUATOR 24V 35W	2
12	10116N	SCREW M8-50	3
13	10150M	LINK D16-35	1
14	10159H	BASE FRAME	1
15	10103N	SUPPORT PLATE	2
16	10136N	SCREW M5-12	2
17	10195N	SCREW M10-25	4
18	10185N	LOCK WASHER M10	4
19	10163N	WASHER M10-20x2	4
20	10194N	SCREW M8-35	8
21	10126N	WASHER M8-16x1	16
22	10151M	GASKET 30-8.2x3.5	8
23	10145M	BUSHING 8-12x9	8
24	10165H	ARM 20 x 30 x 8 mm	2
25	10130N	LOCK NUT M8	11
26	10175H	LEVER	1
27	10166H	ARM 366 x 237 x 30 mm	1

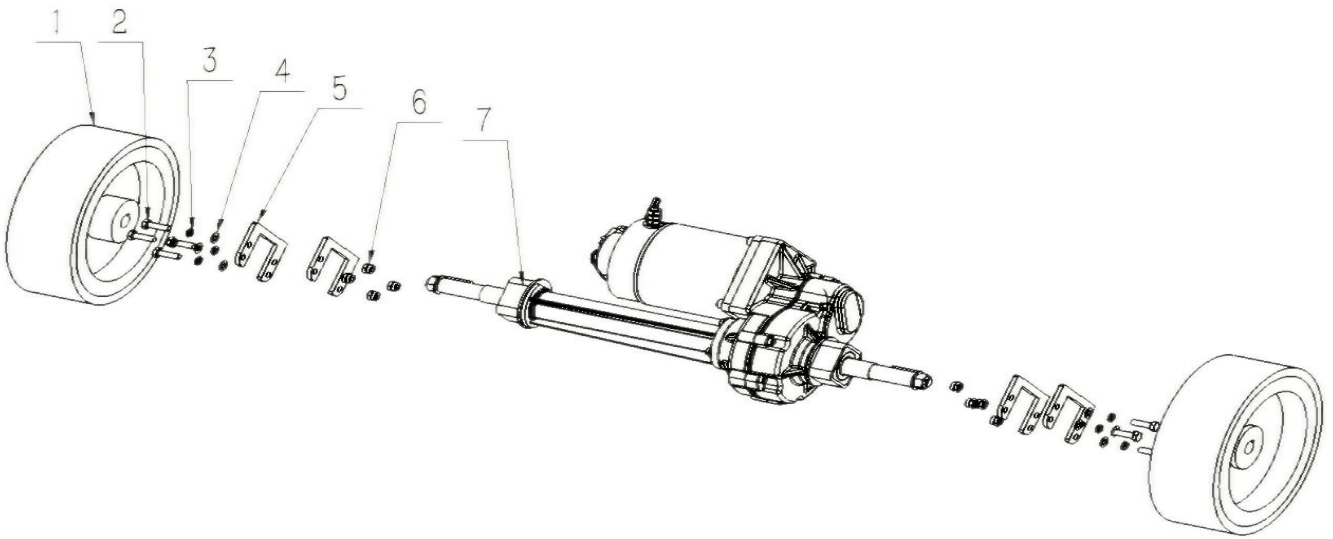
# SUPPORT FRAME ASSEMBLY



ITEM	PART NUMBER	DESCRIPTION	QTY
1	10306N	SCREW M8-75	1
2	10126N	WASHER M8-16x1	10
3	10169H	SUPPORT	1
4	10130N	NUT M8	7
5	10133N	SCREW M8-25	3
6	10283N	SPRING	2
7	10157N	NUT M8	3
8	10116N	SCREW M8-50	4
9	10167H	COUPLING	1
10	10168H	LINK 122 x 33 x 25 mm	2
11	10284N	SPRING	1
12	10129N	LOCK NUT M6	3
13	10125M	WASHER M6-12*x1	1
14	10118N	SCREW M6-20	1

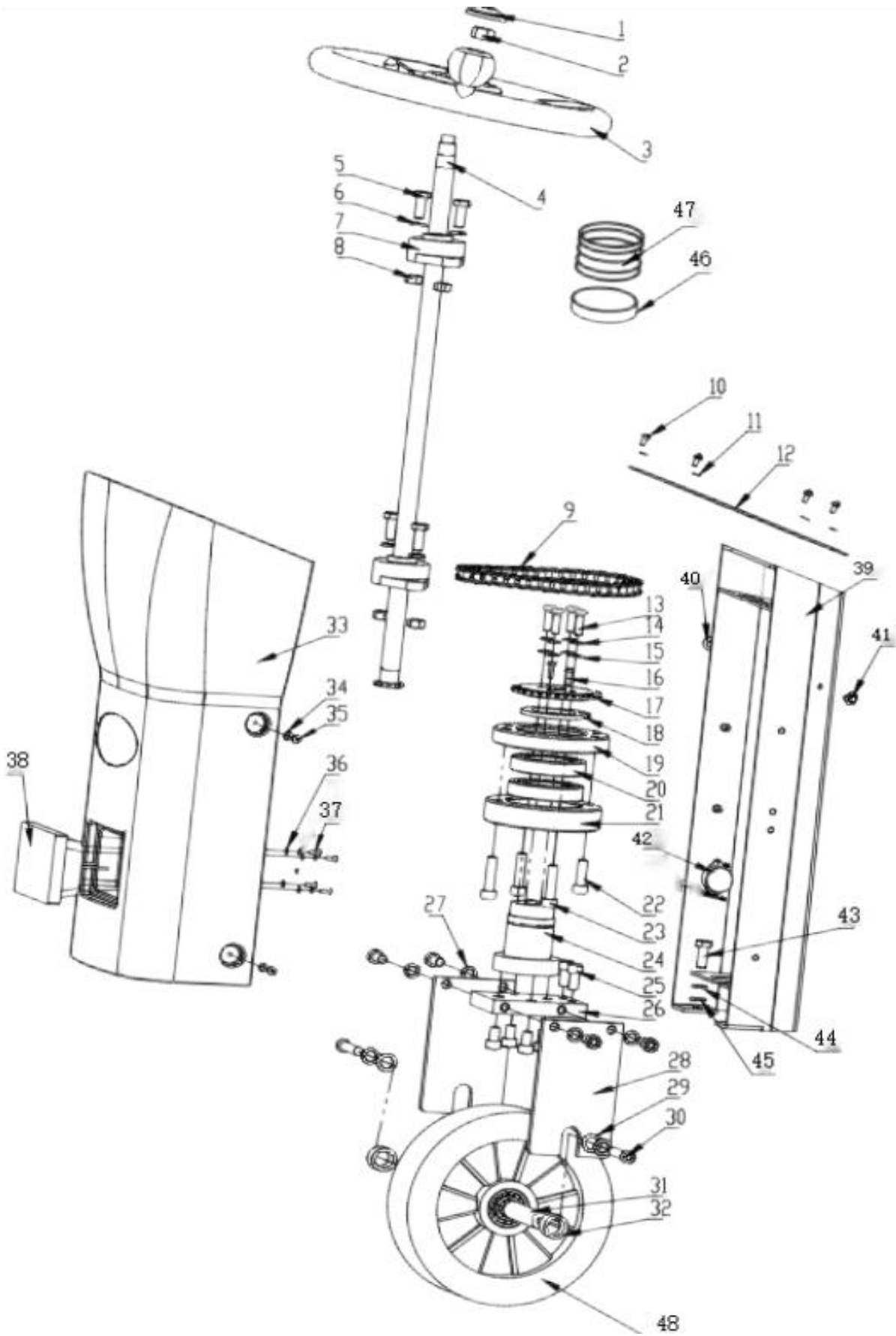
# DRIVER ASSEMBLY

---



ITEM	PART NUMBER	DESCRIPTION	QTY.
1	10218P	WHEEL	2
2	10133N	SCREW M8-25	8
3	10121N	LOCK WASHER M8	8
4	10126N	WASHER M8-16x1	8
5	10180H	MOTOR LIMIT PLATE	4
6	10130N	LOCK NUT M8	8
7	10224E	24V DRIVE MOTOR - 800W	1

# STEERING ASSEMBLY



# STEERING ASSEMBLY

---

ITEM	PART NUMBER	DESCRIPTION	QTY.
1	10154P	STEERING WHEEL CAP	1
2	10203N	NUT M14	1
3	10202N	STEERING WHEEL 315mm	1
4	10142M	STEERING AXLE	1
5	10175N	SCREW M10-35	4
6	10163N	WASHER M10-20x2	4
7	10270N	MOUNTED BEARING	2
8	10177N	LOCK NUT M10	4
9	10274N	CHAIN 06B	1
10	10136N	SCREW M5-12	4
11	10241P	PLASTIC WASHER M5	4
12	10172H	CONTROL PANEL	1
13	10132N	SCREW M8-20	4
14	10121N	LOCK WASHER M8	4
15	10126N	WASHER M8-16x1	4
16	10214N	SCREW M5-20	2
17	10141M	06B GEAR 30	1
18	10162H	PLATE 70mm	1
19	10139M	BEARING FLANGE 124 x 18 mm	1
20	10196N	BEARING	2
21	10140M	BEARING FLANGE 124 x 26 mm	1
22	10197N	SCREW M10-30	1
23	10275N	SCREW M10-40	3
24	10138M	STEERING SHAFT	1
25	10198N	SCREW M10-20	10
26	10161H	PLATE 105 x 74 mm	1
27	10185N	LOCK WASHER M8	6
28	10160H	PLATE 160 x 90 mm	2
29	10126N	WASHER M8-16x1	2
30	10132N	SCREW M8 X 20	2
31	10147M	DRIVE WHEEL AXLE 20 x 90 mm	1
32	10148M	BUSHING 30 x 20.2 x 20 mm	2
33	10155P	COVER	1
34	10241P	PLASTIC WASHER M5	4
35	10218N	SCREW M5-35	4



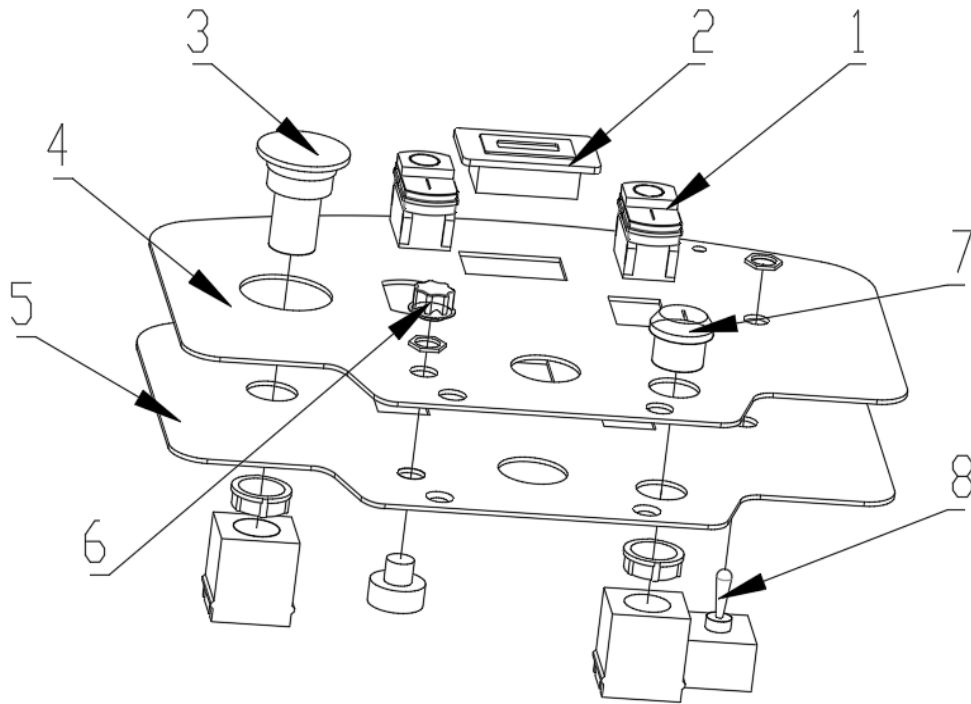
## STEERING ASSEMBLY, CONTINUED

---

ITEM	PART NUMBER	DESCRIPTION	QTY.
36	10241P	PLASTIC WASHER M5	4
37	10135N	SCREW M4-12	4
38	10141E	18W LIGHT	1
39	10173H	STEERING SUPPORT	1
40	10156E	HORN SWITCH	1
41	10169E	HEAD LIGHT SWITCH	1
42	10170E	BUZZER 24V	1
43	10132N	SCREW M8-20	4
44	10121N	LOCK WASHER M8	4
45	10126N	WASHER M8-16x1	4
46	10206N	BELLOWS	1
47	10131P	END CAP	1
48	20156P	STEERING WHEEL 225mm	1

# CONTROL PANEL

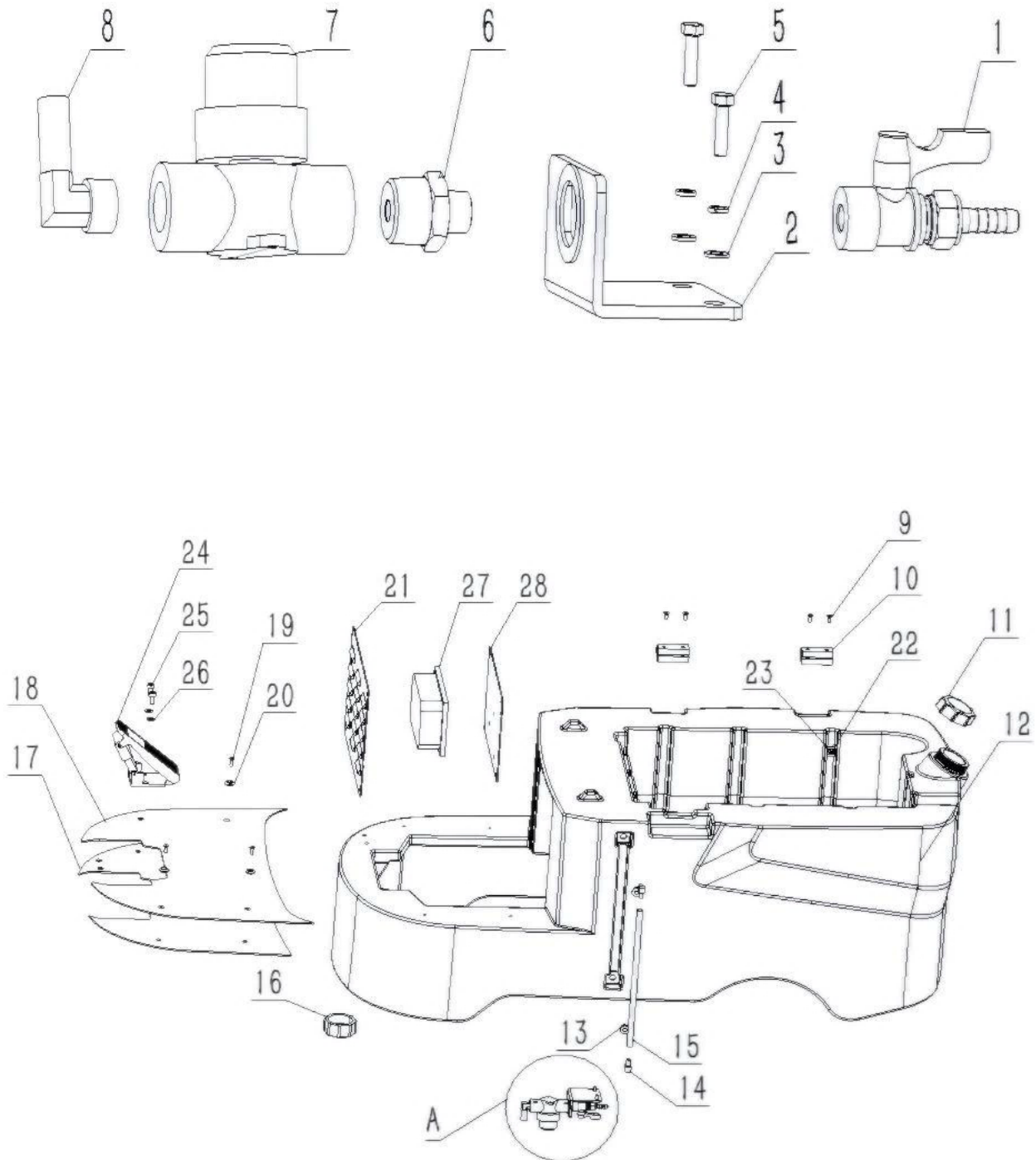
---



ITEM	PART NUMBER	DESCRIPTION	QTY
1	10102E	ROCKER SWITCH 16A	2
2	10103E	BATTERY INDICATION	1
3	10134E	EMERGENCY STOP 36V	1
4	10173E	CONTROL PANEL PAD	1
5	10172H	CONTROL PANEL	1
6	10129E	SPEED KNOB 36V	1
7	10101E	KEY SWITCH ASSEMBLY	1
8	10135E	SWITCH	1

# SOLUTION TANK ASSEMBLY

---

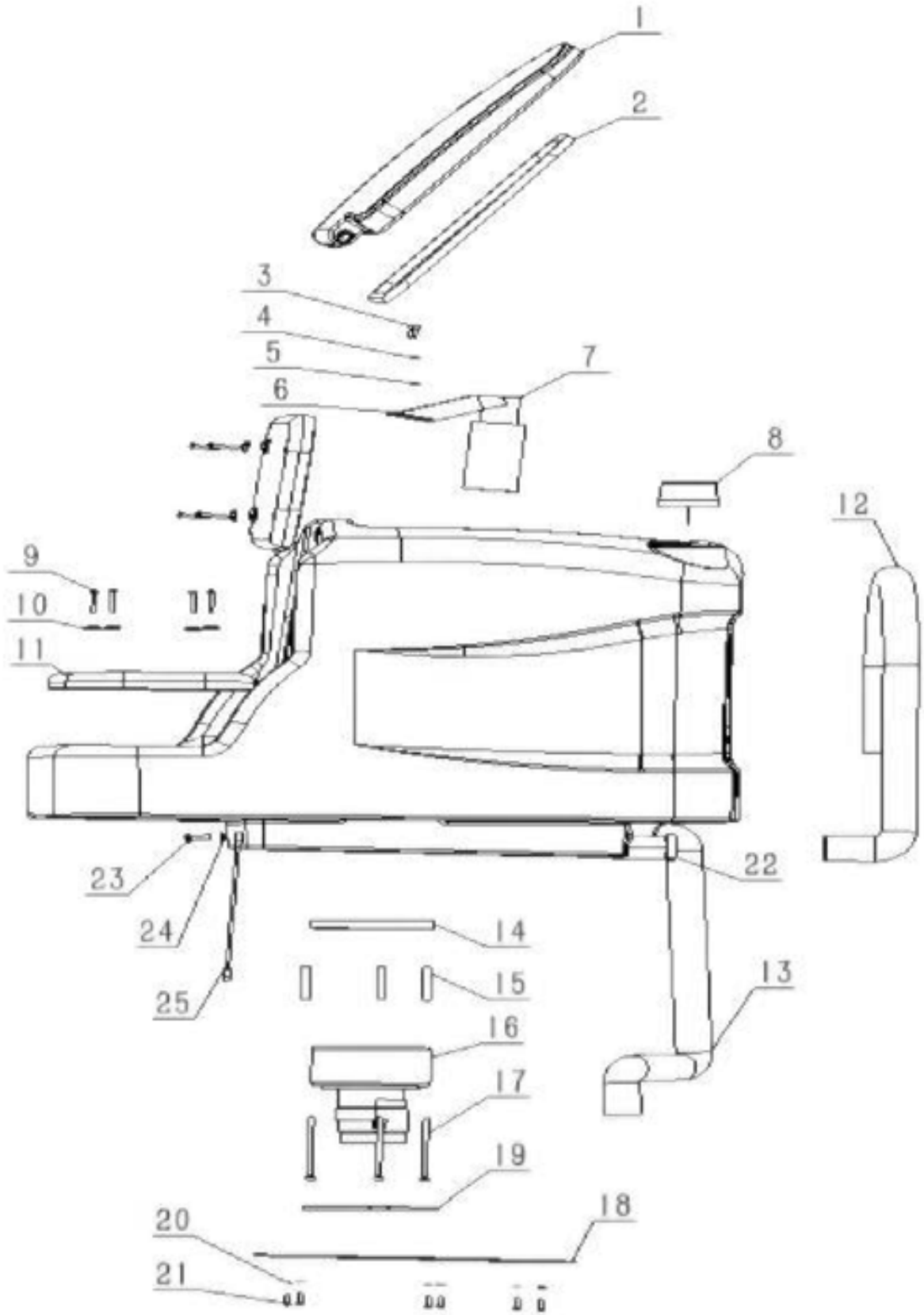


# SOLUTION TANK ASSEMBLY

---

ITEM	PART NUMBER	DESCRIPTION	QTY
1	10101N	BALL VALVE	1
2	10119H	VALVE SUPPORT	1
3	10122N	WASHER M5-10x1	2
4	10119N	LOCK WASHER M5	2
5	10148N	SCREW M5-16	2
6	10279N	NIPPLE	1
7	10119P	FILTER	1
8	10105N	3/8 ELBOW	1
9	10292N	SCREW M6-16	8
10	10122P	HINGE	2
11	10158P	THREADED COVER	1
12	10148P	SOLUTION TANK	1
13	20148P	PLUG	2
14	10159P	ELBOW	2
15	10160P	PIPE	1
16	10136P	CAP M50	1
17	10187H	BOTTOM PLATE 597 x 447 x 3 mm	1
18	20149P	FOOT PAD 597 x 447 x 3 mm	1
19	10156N	SCREW M5-16	8
20	10241P	PLASTIC WASHER M5	8
21	10111H	COVER	1
22	10103N	SUPPORT	1
23	10136N	SCREW M5-12 mm	3
24	10117E	PEDAL	1
25	10114N	SCREW M8-20	2
26	10126N	WASHER M8-16x1	2
27	10255E	CONTROLLER	1
28	10191H	ELECTRICAL INSTALLATION PLATE	1

# RECOVERY TANK ASSEMBLY

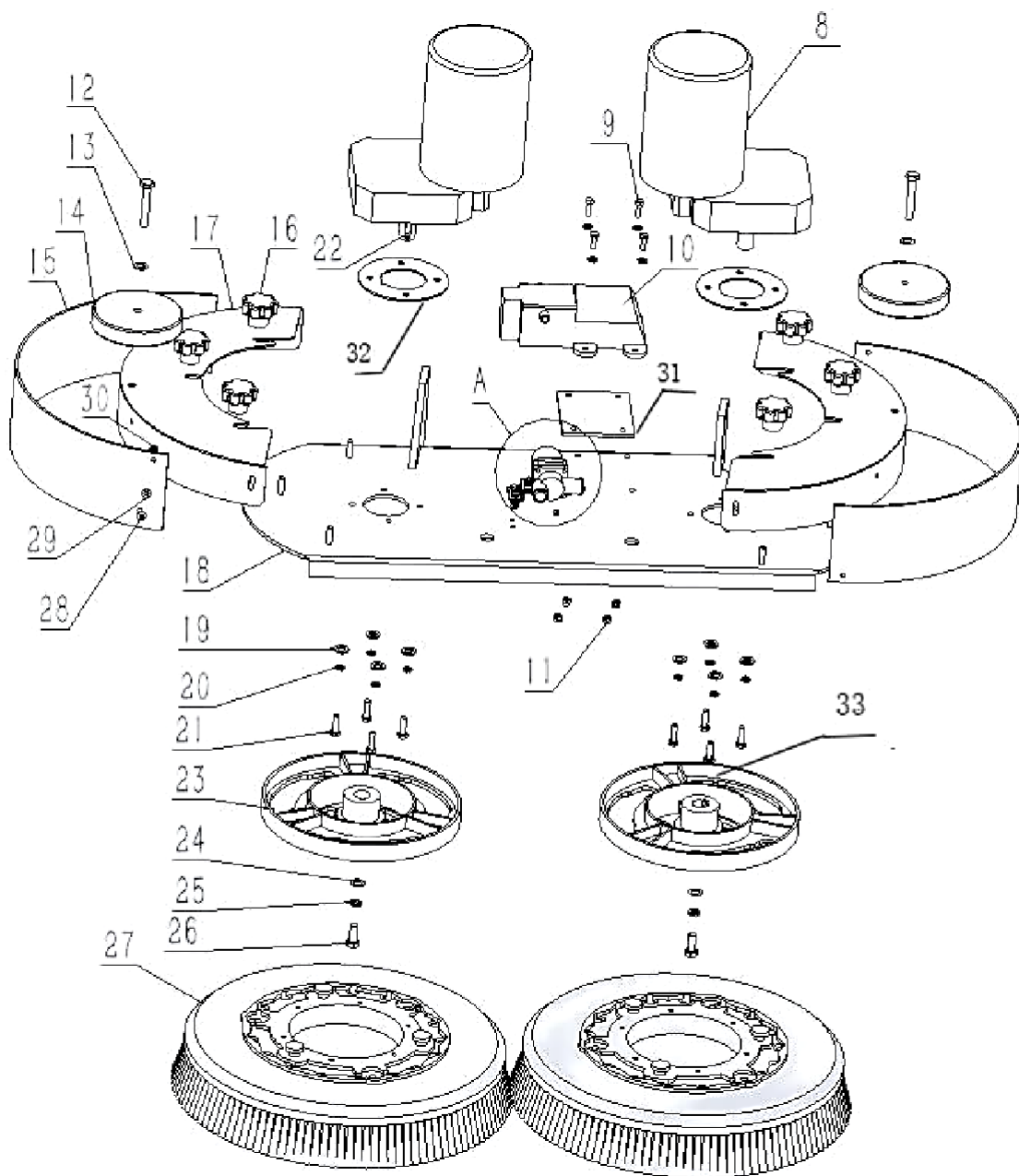
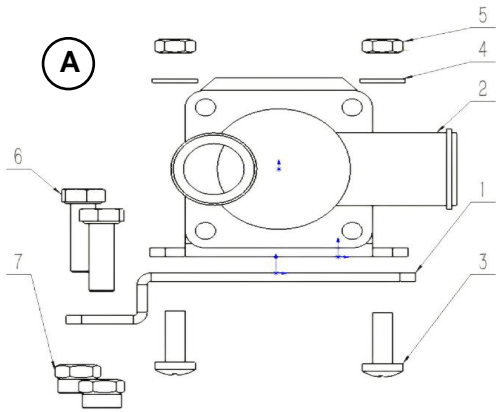


# RECOVERY TANK ASSEMBLY

---

ITEM	PART NUMBER	DESCRIPTION	QTY
1	10151P	RECOVERY TANK LID	1
2	20103P	TANK GASKET	1
3	10110N	SCREW M5-16	2
4	10119N	LOCK WASHER M5	2
5	10123N	WASHER M5-15x1	2
6	20104P	SUCTION GASKET	1
7	10106P	SUCTION BODY	1
8	10167E	CAUTION LIGHT 24V	1
9	10276N	SCREW M5-35	8
10	10241P	PLASTIC WASHER M5	8
11	10150P	SEAT 390 x 230 mm	2
12	10137P	EXHAUST PIPE	1
13	10152P	SUCTION HOSE	1
14	20142P	CUSHION 140 x 5 mm	1
15	10161P	STUD	1
16	10168E	24V VAC MOTOR	1
17	10117N	SCREW M6-100	3
18	10141H	MOTOR COVER	1
19	10108H	MOTOR FLANGE	1
20	10123N	WASHER M5-15	6
21	10156N	SCREW M5 x 16	6
22	10140N	CLAMP 33-57mm	1
23	10115N	SCREW M8-25	2
24	10126N	WASHER M8-16	2
25	10143M	ROPE L=400mm	1

# BRUSH DECK ASSEMBLY



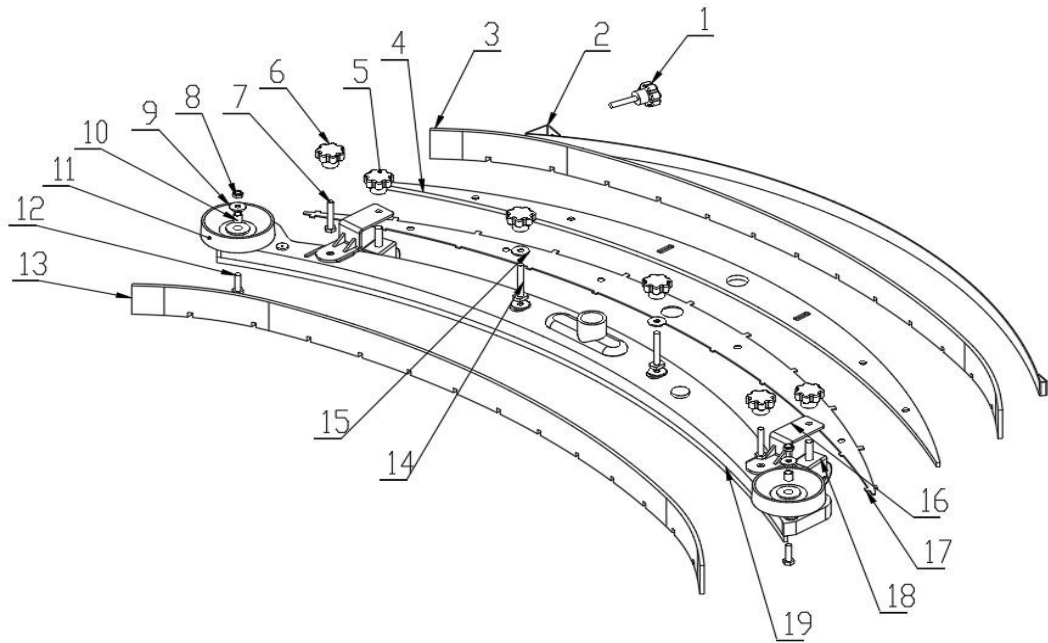
# BRUSH DECK ASSEMBLY

---

ITEM	PART NUMBER	DESCRIPTION	QTY
1	10109H	DISTRIBUTOR SUPPORT	1
2	10110E	24V SOLUTION SOLENOID VALVE	1
3	10135N	SCREW M4-12	2
4	10277N	WASHER M4-8x1	2
5	10152N	LOCK NUT M4	2
6	10148N	SCREW M5-16	2
7	10128N	LOCK NUT M5	2
8	10150E	24V BRUSH MOTOR	2
9	10148N	SCREW M5-16	4
10	10295E	PUMP 24V/35W	1
11	10128N	LOCK NUT M5	4
12	10116N	SCREW M8-50	2
13	10126N	WASHER M8-16x1	2
14	10112P	WHEEL 100x20mm	2
15	20146P	RUBBER SKIRT	2
16	10114P	KNOB M8	6
17	10174H	BRUSH COVER 581 x 7 x 50 mm	2
18	10183H	BRUSH BASE 694 x 5 x 275 mm	1
19	10125N	WASHER M6-12x1	8
20	10120N	LOCK WASHER M6	8
21	10118N	SCREW M6-20	8
22	10144N	FLAT KEY	2
23	20101M	BRUSH MOUNT PLATE	2
24	10126N	WASHER M8-16x1	2
25	10121N	LOCK WASHER M8	2
26	10132N	SCREW M8-20	2
27	10156P	BRUSH 14"	2
28	10136N	SCREW M5-12	8
29	10122N	WASHER M5-10x1	8
30	10128N	LOCK NUT M5	6
31	10269H	WATER PUMP INSULATION	1
32	10106H	WASHER	2
33	10164M	SNAP RING	2

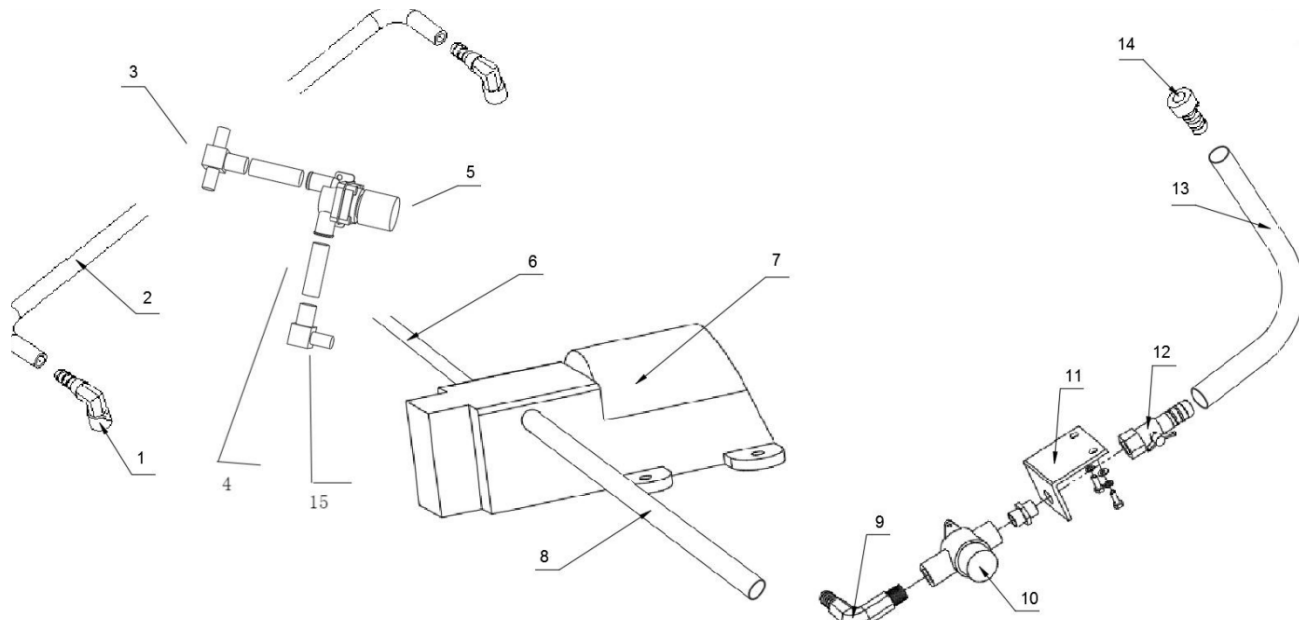


# SQUEEGEE ASSEMBLY



ITEM	PART NUMBER	DESCRIPTION	QTY
1	10281N	SCREW M8-40	1
2	10290H	STEEL STRIP	1
3	20150P	REAR SQUEEGEE BLADE	1
4	20116P	SQUEEGEE WEDGE	1
5	10114P	KNOB M8	2
6	10125P	KNOB M10	2
7	10282N	SCREW M8-60	2
8	10130N	LOCK NUT M8	2
9	10126N	WASHER M8-16x1	2
10	10146M	BUSHING	2
11	10112P	BUMPER WHEEL	2
12	10116N	SCREW M8-50	2
13	20151P	FRONT SUEGGEE BLADE	1
14	10301N	SCREW M8-50	2
15	10127N	WASHER M 8-234x2	2
16	10414H	SUPPORT	2
17	10291H	SQUEEGEE BLADE FIXING PLATE	1
18	10118P	CASTER WHEEL	2
19	20104M	SQUEEGEE BODY	1
	20168A	SQUEEGEE ASSEMBLY 28R	

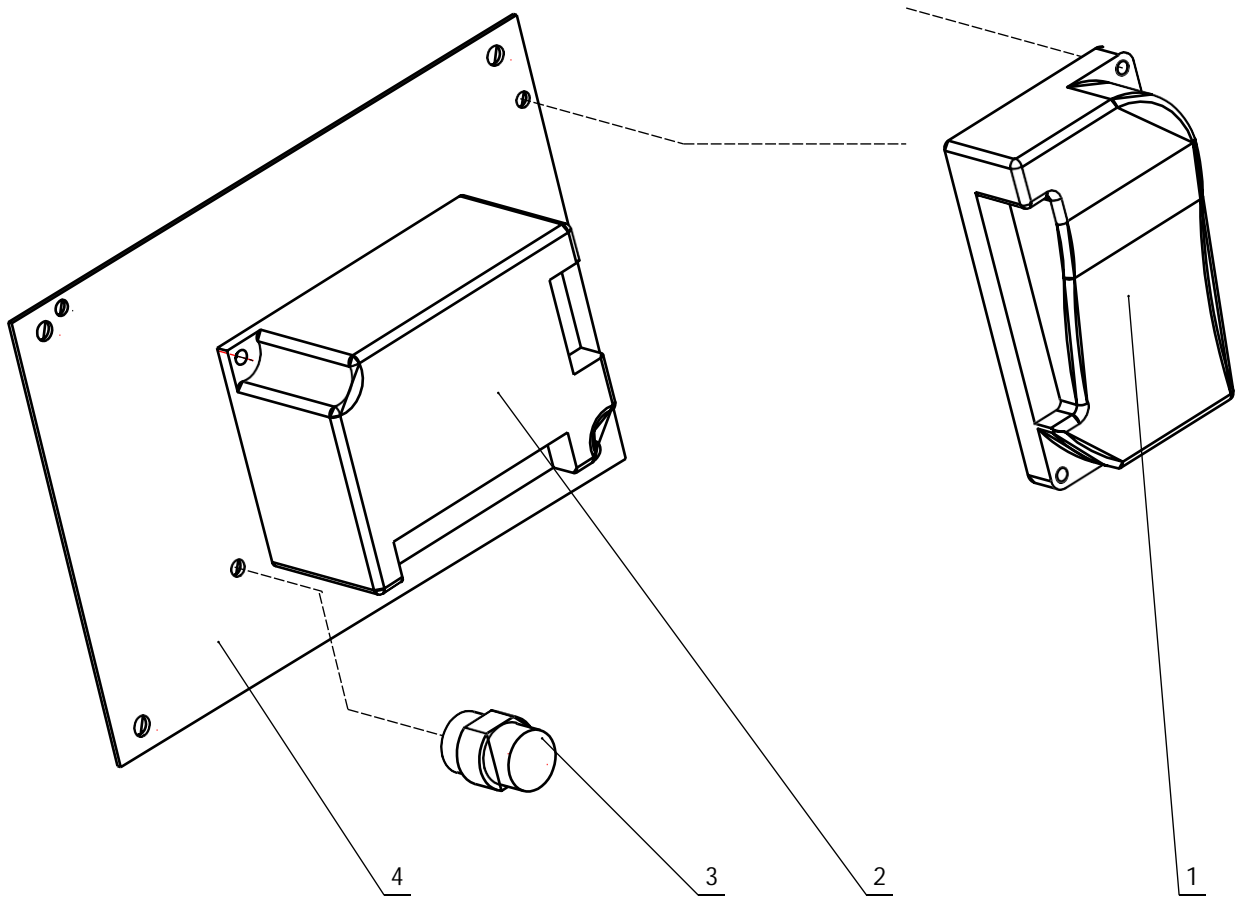
# WATER ASSEMBLY



ITEM	PART NUMBER	DESCRIPTION	QTY
1	10105N	ELBOW 3/8-12	2
2	20123P	PIPE	2
3	10342P	T-FITTING	1
4	20190P	PIPE L50	2
5	10110E	24V SOLUTION SOLENOID VALVE	1
6	20124P	PIPE L310	1
7	10295E	24V MICRO-PUMP	1
8	20126P	PIPE	2
9	10105N	3/8-12 ELBOW	1
10	10119P	FILTER 3/8	1
11	10119H	VALVE SUPPORT	1
12	10101N	1/2 BALL VALVE	1
13	20126P	PIPE L600	1
14	10227N	CONNECTOR	1
15	10341P	CONNECTOR D=12-16	1

# ELECTRICAL

---



ITEM	PART NUMBER	DESCRIPTION	QTY
1	10166E	24V DRIVE MOTOR CONTROLLER	1
2	10177E	24V BRUSH/SUCTION MOTOR CONTROLLER	1
3	10116E	CATHODE INSULATING COLUMN	1
4	10191H	ELECTRICAL INSTALLATION PANEL	1

# BATTERIES AND CHARGER

---

ITEM	DESCRIPTION	QTY
BATTERY SPECIFICATIONS	6v AGM, 200ah (10" x 7" x 10.75")	4
10303E	EXTERNAL CHARGER 24V, 25A	1