

ACE 26T

PARTS MANUAL

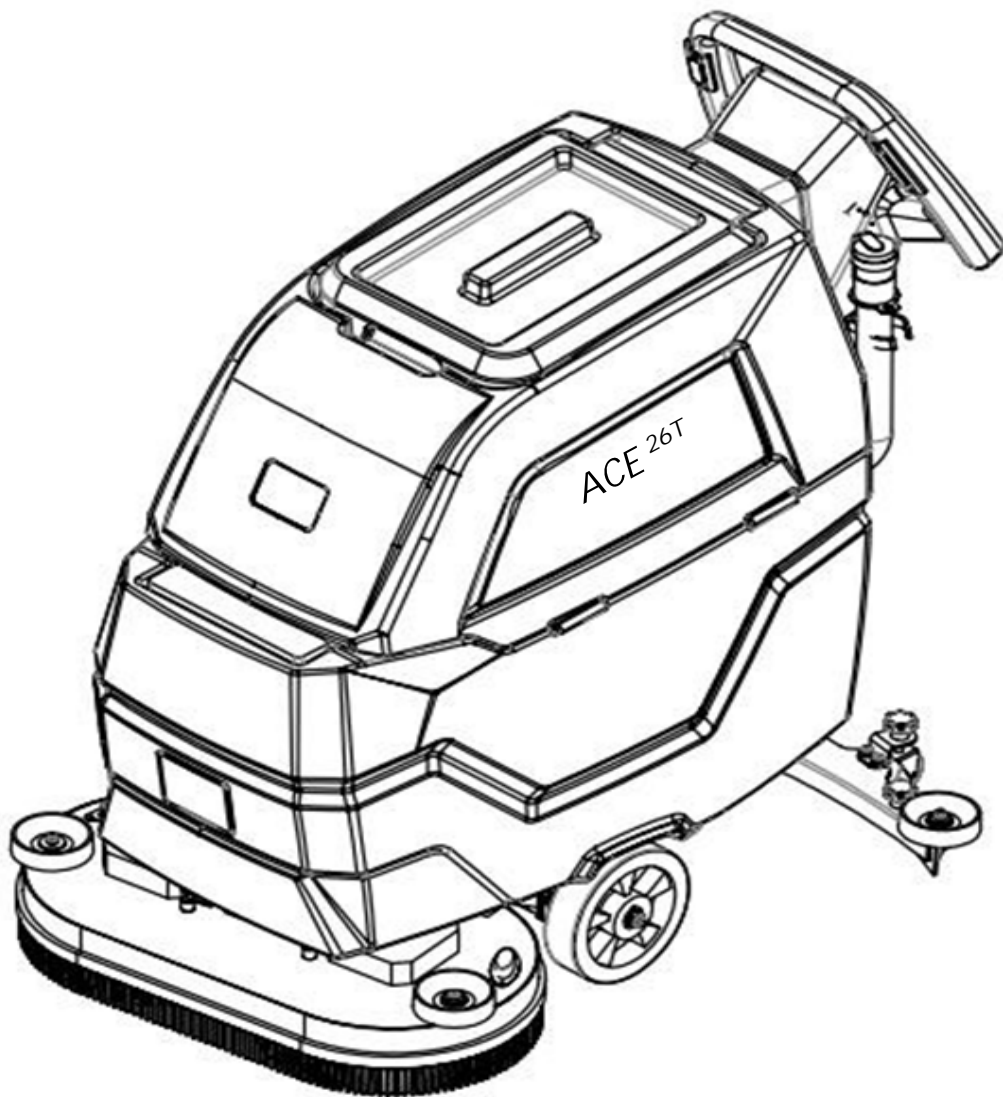
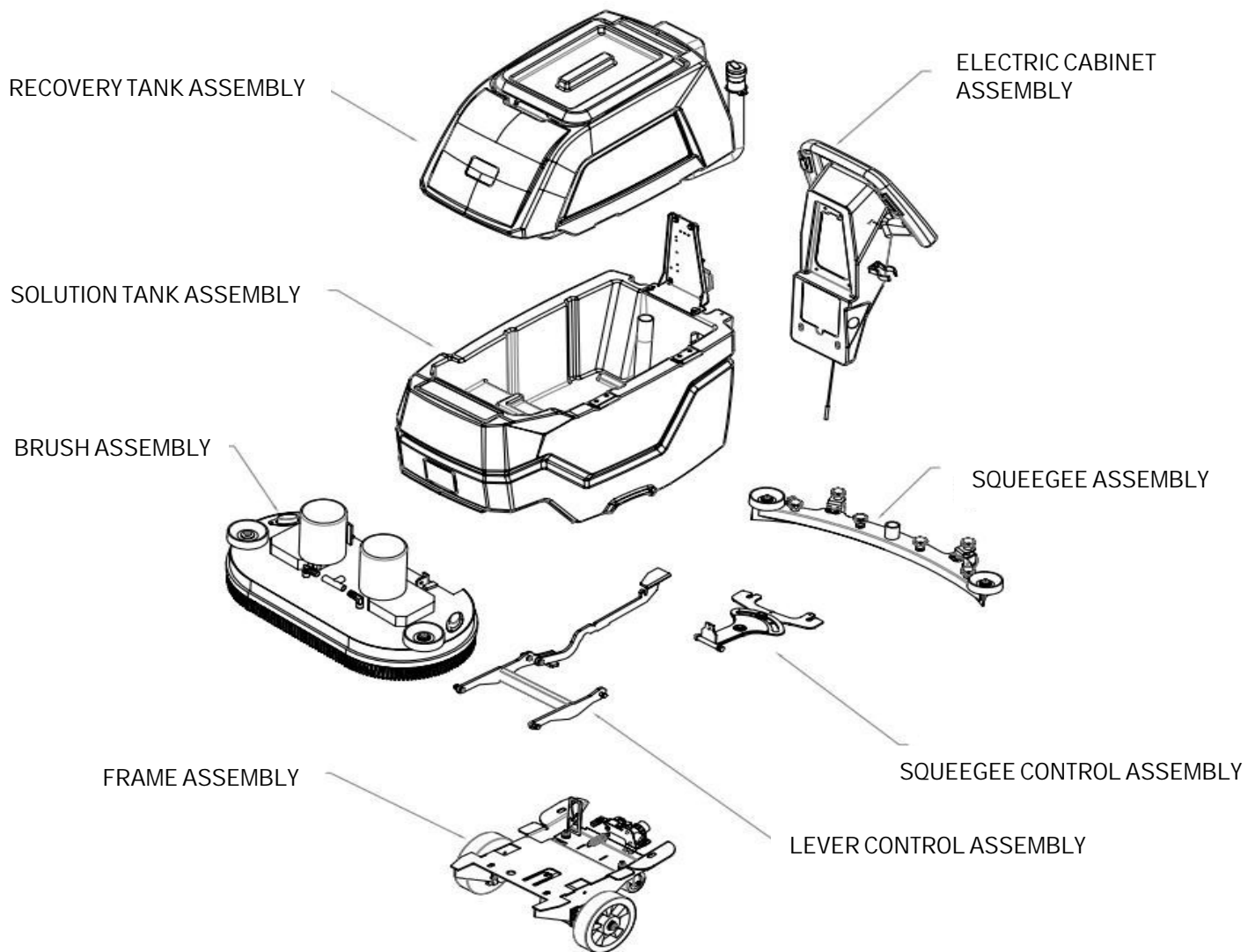


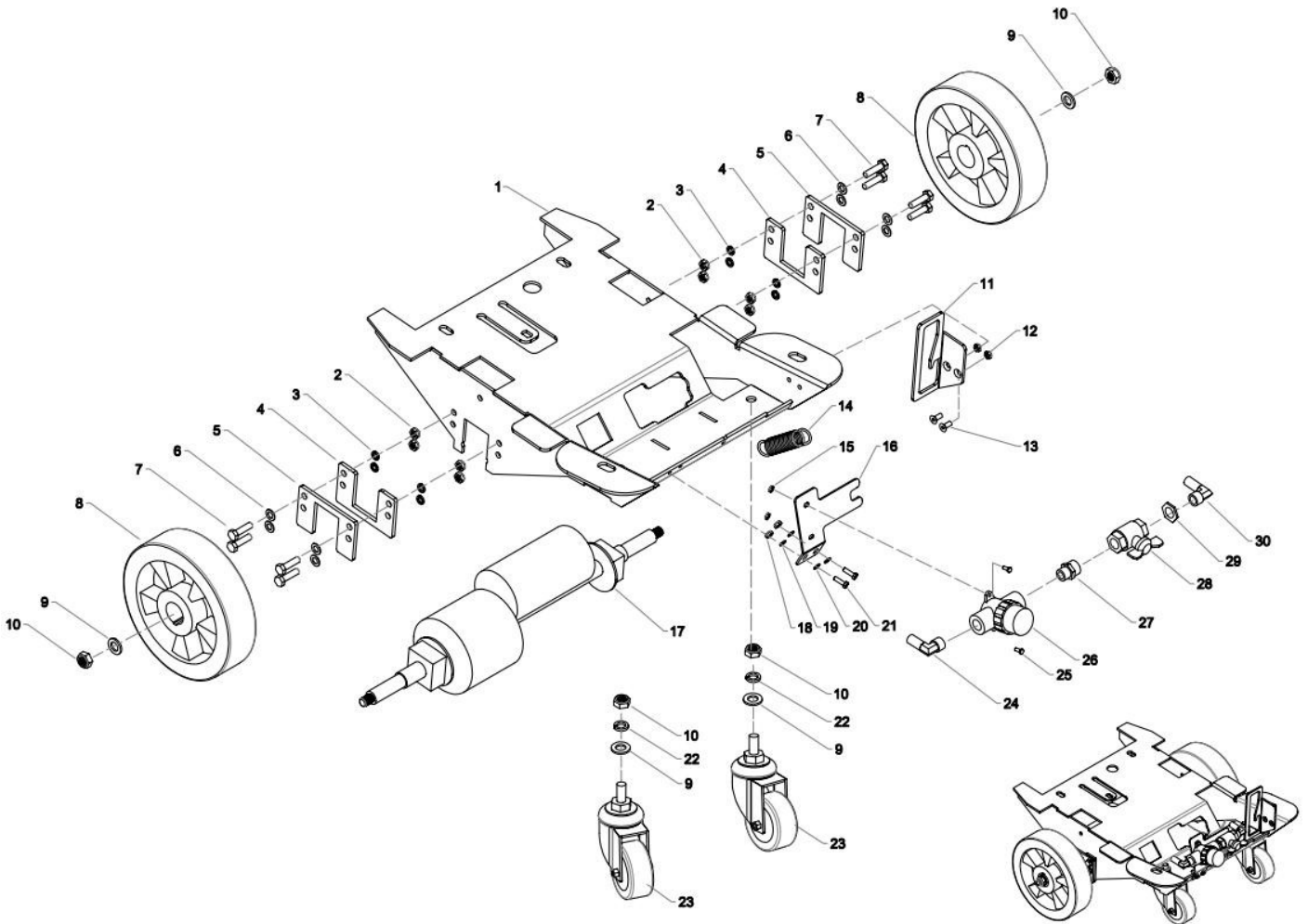
TABLE OF CONTENTS

ASSEMBLY	3
FRAMEASSEMBLY	4-5
BRUSHCONTROLASSEMBLY	6
SQUEEGEECONTROLASSEMBLY	7
BRUSHASSEMBLY	8-9
ELECTRICCABINETASSEMBLY	10-12
SOLUTIONTANKASSEMBLY	13-14
RECOVERYTANKASSEMBLY	15-16
SQUEEGEEASSEMBLY	17-18
BATTERIES AND CHARGER	19

SCHEMATIC ASSEMBLY



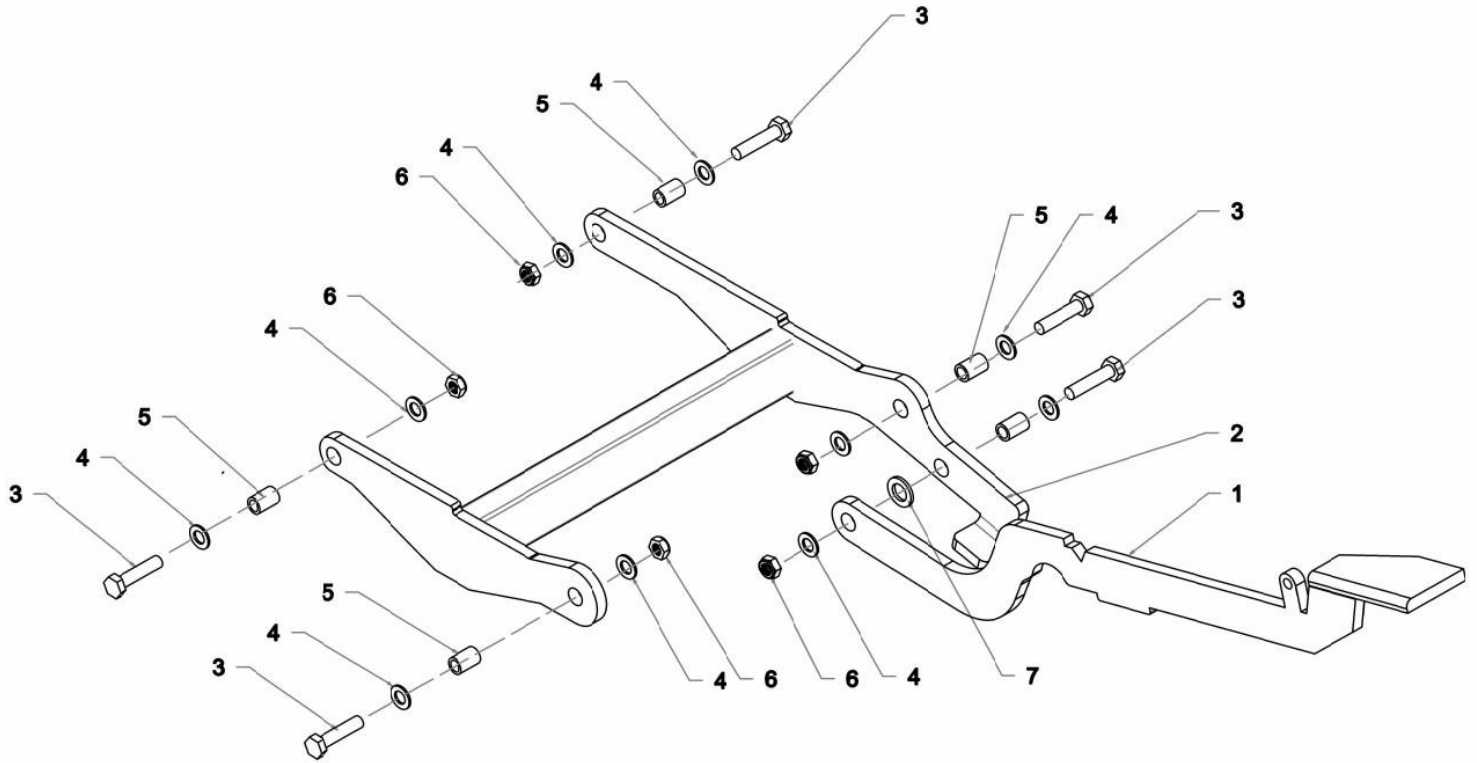
FRAME ASSEMBLY



FRAME ASSEMBLY

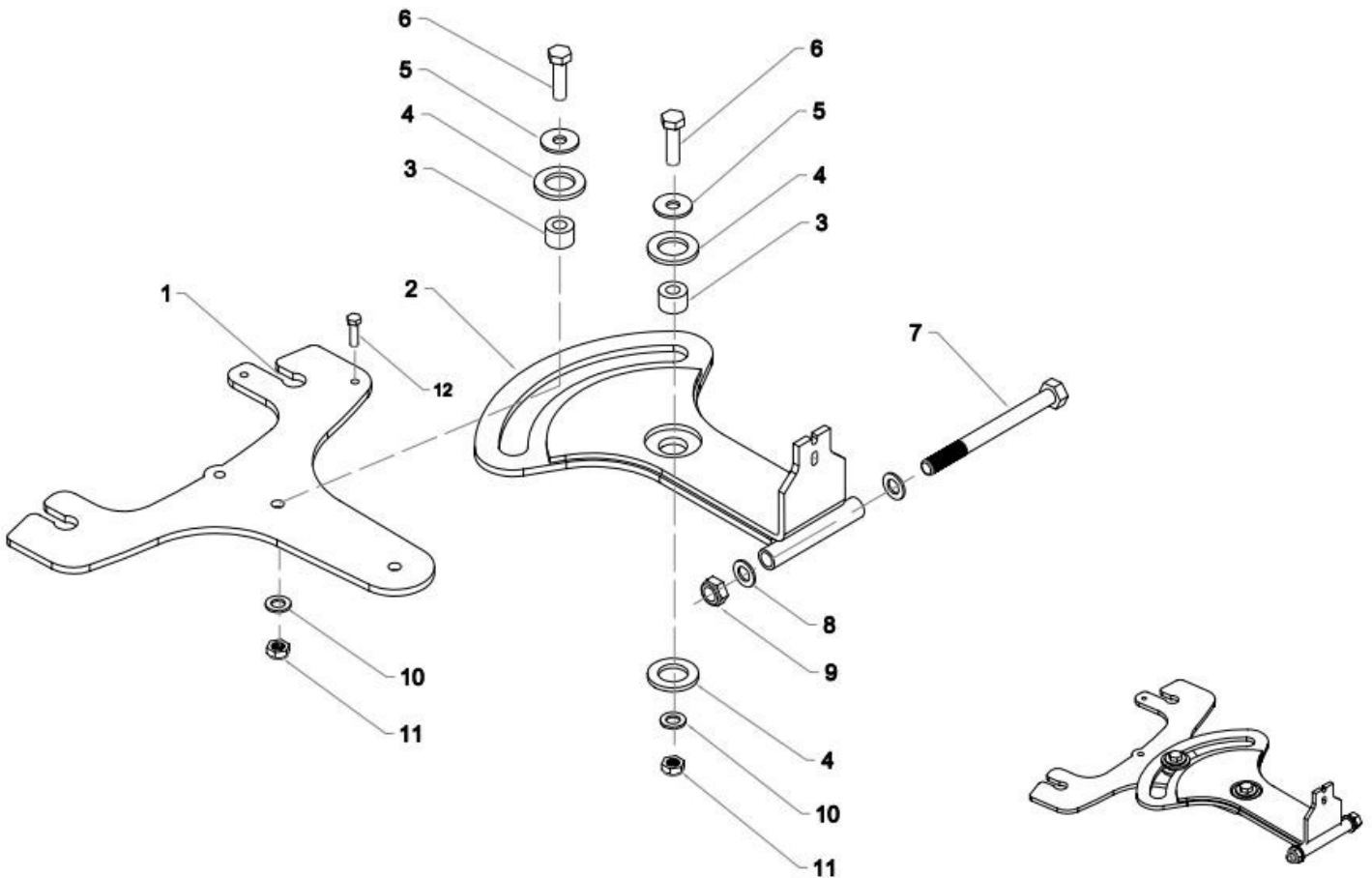
ITEM	PART NUMBER	DESCRIPTION	QTY.
1	10308H	CHASSIS 6 x 523 x 422 x 143 mm	1
2	10130N	LOCK NUT M8	8
3	10121N	WASHER M8	10
4	10229H	MOTOR SUPPORT PLATE 5 x 105 x 85 mm	2
5	10228H	MOTOR SUPPORT 5 x 105 x 85 mm	2
6	10126N	GASKET M8	10
7	10134N	BOLT M8-30	8
8	10208P	WHEEL 200 x 50 mm	2
9	10343N	GASKET 12MM	4
10	10161N	LOCK NUT M12	2
11	10214H	PEDAL SUPPORT 130 x 51 x 44 x 3.5 mm	1
12	10129N	LOCK NUT M6	2
13	10292N	COUNTERSUNK SCREW M6	2
14	10224M	EXTENSION SPRING 3.0 x 20 x 155 mm	1
15	10152N	LOCK NUT M4	2
16	10218H	VALVE SUPPORT 2.5 x 115 x 97 x 27 mm	1
17	10260E	24V DRIVE MOTOR	1
18	10128N	LOCK NUT M5	2
19	10119N	WASHER M5	2
20	10122N	GASKET M5	2
21	10124N	BOLT M5 x 20	2
22	10395N	WASHER M12	2
23	10198P	CASTER WHEEL 75 x 25 mm	2
24	10318N	ELBOW 3/8- 16	1
25	10135N	SCREW M4x12	2
26	10119P	FILTER G3\8	1
27	10279N	NIPPLE G3/8-G1/2	1
28	10101N	BALL VALVE G1/2	1
29	10245N	GASKET 3.0 x G1/2	1
30	10316N	ELBOW 1/2- 16.5	1
31	20147P	PIPE 14 x 2.5 x 1000 mm	1

BRUSH CONTROL ASSEMBLY



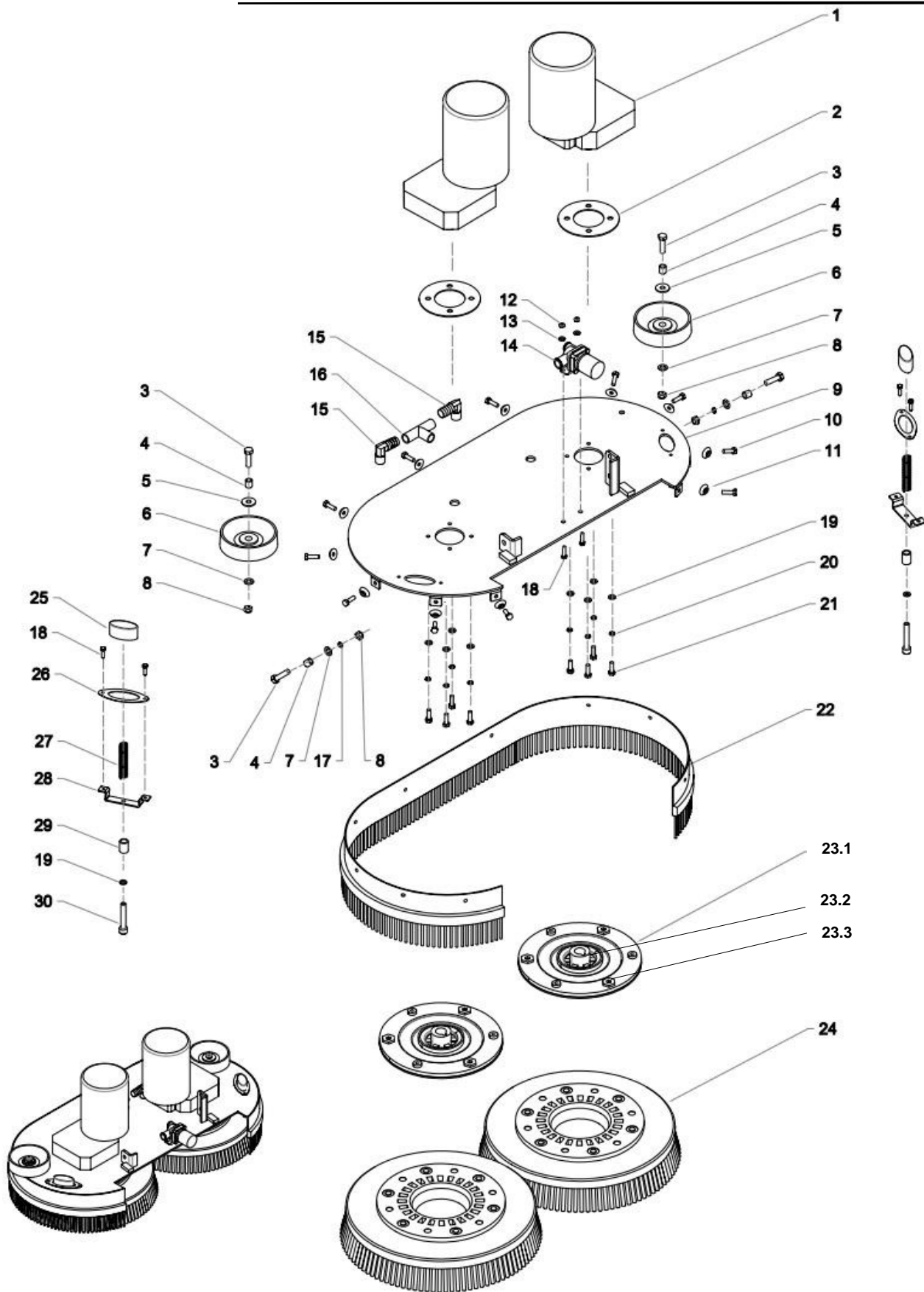
ITEM	PART NUMBER	DESCRIPTION	QTY.
1	10213H	BRUSH PEDAL 8 x 532 mm	1
2	10212H	LEVER 462 x 294 x 105 mm	1
3	10134N	BOLT M8x30	6
4	10126N	GASKET M8	12
5	10146M	BUSHING 8M-12x17	6
6	10130N	LOCK NUT M8	1
7	10200P	NYLON GASKET M12 24X2	1

SQUEEGEE CONTROL ASSEMBLY



ITEM	PART NUMBER	DESCRIPTION	QTY.
1	10115H	COUPLING 8 x 285 x 245 mm	1
2	10114H	SUPPORT 8 x 199 x 134 mm	1
	20102A	SUPPORT/COUPLING ASSEMBLY	1
3	10104M	BUSHING M8-18x12	2
4	10126P	NYLON GASKET M19- 32x3.0	4
5	10127N	GASKET M8-24x2.0	2
6	10134N	BOLT M8x30	2
7	10333N	BOLT M10x100	1
8	10163N	WASHER M10-20x2	2
9	10177N	LOCK NUT M10	1
10	10126N	GASKET M8	2
11	10130N	LOCK NUT M8	2
12	10324N	BOLT M6x16	2

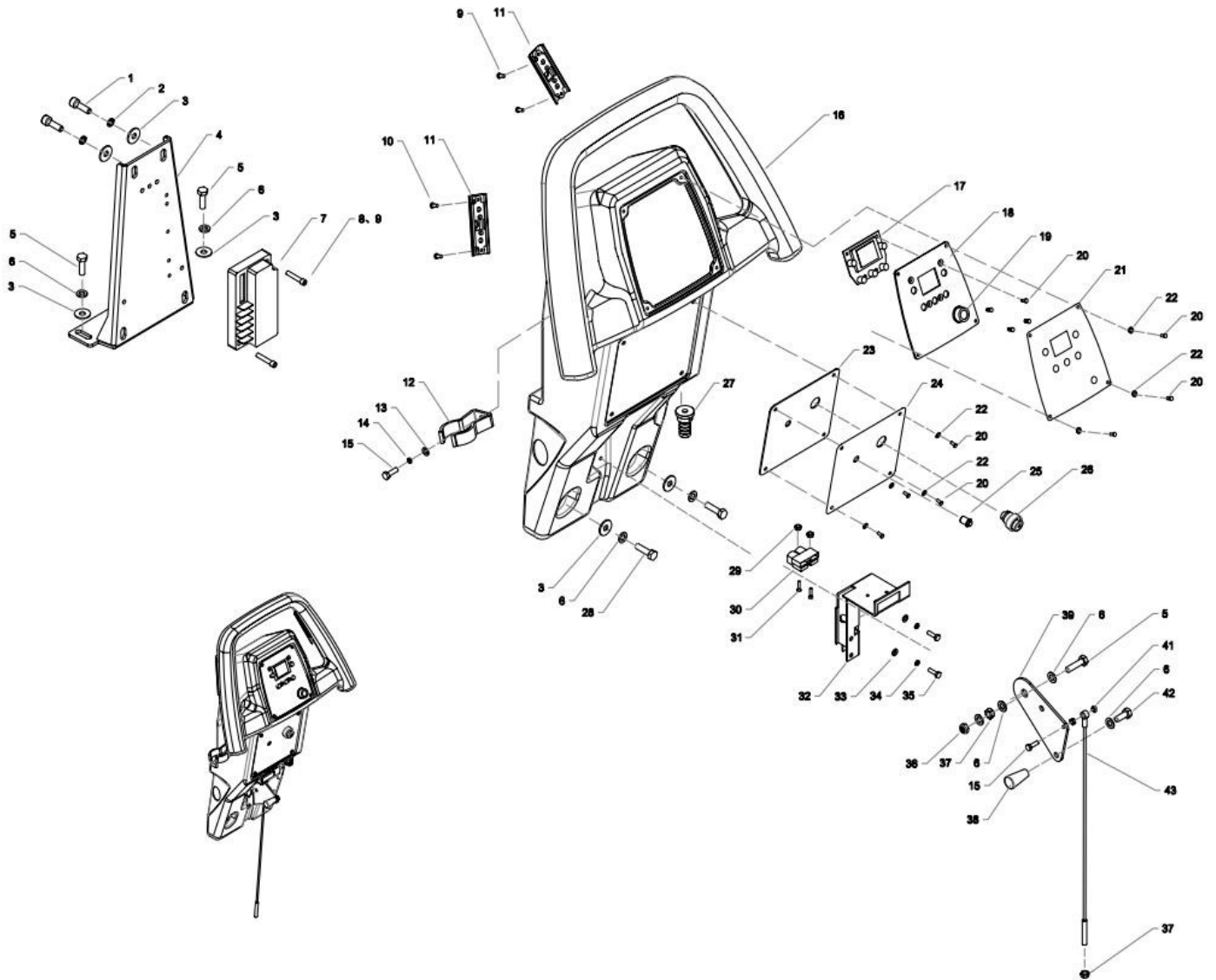
BRUSH ASSEMBLY



BRUSH ASSEMBLY

ITEM	PART NUMBER	DESCRIPTION	QTY.
1	10150E	24V BRUSH MOTOR	2
2	10417H	WASHER 4 x 100 mm	2
3	10134N	BOLT M8x30	4
4	10146M	BUSHING M8-12x13	4
5	10127N	GASKET M8-24 x 2.0	6
6	10112P	WHEEL 100 x 25 mm	2
7	10126N	GASKET M8	4
8	10130N	LOCK NUT M8	4
9	10313H	MACHINE HEAD PLATE 4 x 684 x 31 0mm	1
10	10156N	SCREW M5x16	11
11	10241P	PLASTIC MAT M5	11
12	10128N	LOCK NUT M5	11
13	10122N	WASHER M5	2
14	10110E	24V SOLENOID VALVE	1
15	10318N	NIPPLE 3/8-16	2
16	10351N	T-FITTING 16	1
17	10121N	WASHER M8	2
18	10110N	SCREW M5 x 16	2
19	10325N	WASHER M6	17
20	10120N	SPRING WASHER M6	8
21	10112N	BOLT M6 x 16	8
22	10279P	NOSE SIDE BRUSH	1
23.1	20101M	BRUSH PLATE 18 x 220 mm	2
23.2	10323H	RETAINER 2 x 157 x 212 mm	2
24	10200P	BRUSH 13 inch	2
25	10298P	BUTTON SWITCH M6	2
26	10314H	BUTTON PLANE	2
27	10193M	SPRING 1 x 11 x 40 mm	2
28	10315H	BUTTON HOLDER 2 x 90 x 2 x 12 mm	2
29	10146M	BUSHING M8- 12x17	2
30	10358N	BOLT M6x55	2
31	20P	PIPE 14 x 2.5 x 500 mm	1

ELECTRIC CABINET ASSEMBLY



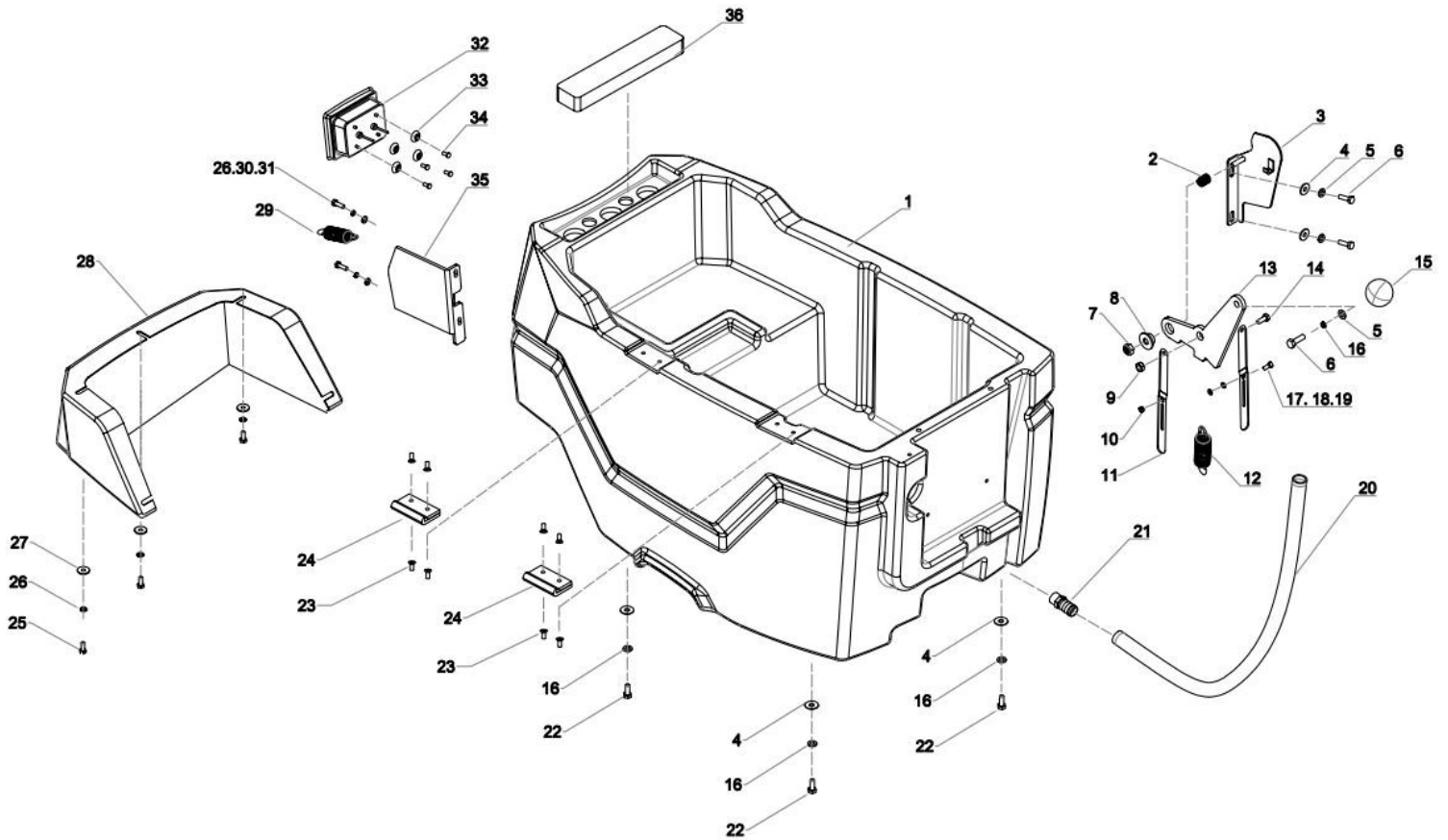
ELECTRIC CABINET ASSEMBLY

ITEM	PART NUMBER	DESCRIPTION	QTY.
1	10114N	BOLT M8 x 20	4
2	10121N	WASHER M8	4
3	10127N	GASKET M8x 24x2	8
4	10220H	SUPPORT 4 x 205 x 79 x 300 mm	1
5	10134N	BOLT M8 x 30	3
6	10126N	GASKET M8	6
7	10269E	DRIVE CONTROLLER	1
8	10293N	BOLT M5x30	2
9	10128N	LOCK NUT M5	2
10	10328N	SCREW M4x10	4
11.1	10261E	MICRO SWITCH	2
11.2	10295P	MICRO SWITCH BUTTON	2
11.3	10357N	NUT M2	4
11.4	10356N	SCREW M2x10	4
11.5	10194M	SPRING 0.8 x 10 x 15 mm	4
11.6	10277N	WASHER M5	4
11.7	10135N	SCREW M4x10	4
12	10108P	CLAMP 38	1
13	10325N	GASKET M6	1
14	10120N	WASHER M6	1
15	10118N	BOLT M6x20	2
16	10301P	CONTROL BOX	1
17.1	10263E	LCD PANEL	1
17.2	10186M	BUSHING 4x10	4
17.3	10352N	SCREW M4x20	4
17.4	10152N	NUT M4	4
18	10311H	SWITCH PANEL	1
19	10129E	SPEED KNOB	1
20	10215N	SCREW M4x12	12
21	10264E	SWITCH PANEL DECAL	1
22	10139N	GASKET 4 x 13 x 3.2 mm	8
23	10224H	CONTROL PANEL 2 x 156 x 136 mm	1
24	10212E	CONTROL PANEL DECAL	1
25	10277E	HORN SWITCH	1

ELECTRIC CABINET ASSEMBLY, CONTINUED

ITEM	PART NUMBER	DESCRIPTION	QTY.
26	10101E	KEY SWITCH	1
27	10204P	NYLON CONNECTOR 27 x 42 mm	1
28	10212N	BOLT M8x40	2
29	10145N	LOCK NUT M3	2
30	10118E	PLUG	1
31	10189N	BOLT M3x20	2
32	10222H	SUPPORT 160 x 101 x 72 mm	1
33	10119N	WASHER M5	2
34	10122N	GASKET M5	2
35	10148N	BOLT M5x16	2
36	10130N	LOCK NUT M8	1
37	10157N	NUT M8	2
38	10205P	HANDLE M8x40	1
39	10221H	LEVER 3.5 x 132 x 69 mm	1
40	10134N	BOLT M8x30	1
41	10146N	NUT M6	2
42	10132N	BOLT M8x20	1
43	10153M	ROPE	1

SOLUTION TANK ASSEMBLY

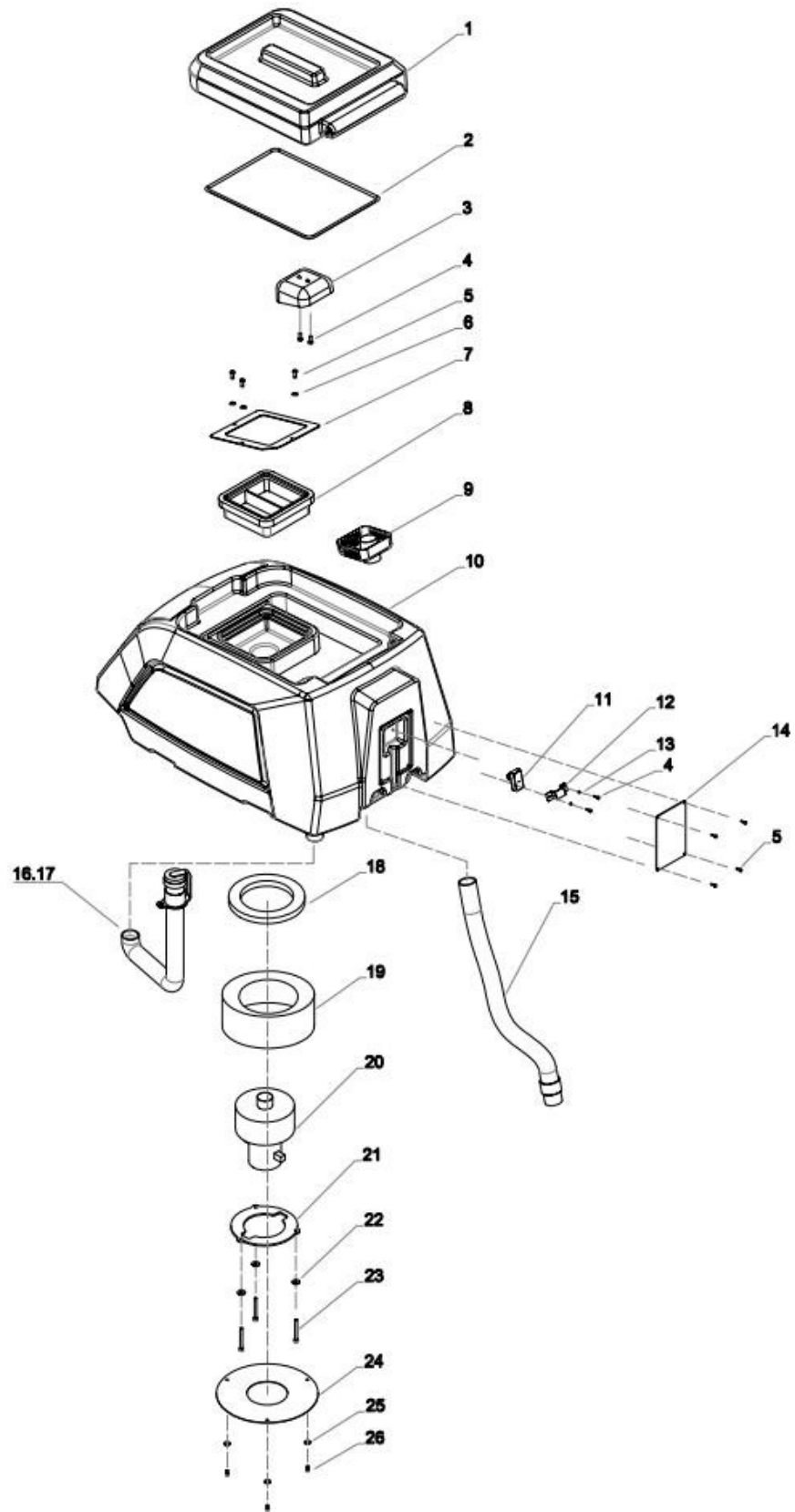


ITEM	PART NUMBER	DESCRIPTION	QTY.
1	10123P	SOLUTION TANK	1
2	10133M	SPRING 2 x 17 x 22 mm	1
3	10184H	SUPPORT 3 x 220 x 103 x 28 mm	1
4	10127N	GASKET M8-24x2.0	6
5	10126N	GASKET M8	8
6	10132N	BOLT M8x20	3
7	10130N	LOCK NUT M8	1
8	10177M	FLANGE BUSHING 8 x 16 x 8 mm	1
9	10129N	LOCK NUT M6	1
10	10128N	LOCK NUT M5	1

SOLUTION TANK ASSEMBLY

ITEM	PART NUMBER	DESCRIPTION	QTY.
11	10186H	CONNECTING ROD 2 x 150 x 15 mm	2
12	10132M	EXTENSION SPRING 3 x 25 x 120 mm	1
13	10185H	ROCKER 137 x 170mm	1
14	10118N	BOLT M6x20	1
15	10205P	HANDLE	1
16	10121N	WASHER M8	5
17	10156N	SCREW M5x16	1
18	10122N	GASKET M5	2
19	10119N	WASHER M5	2
20	20165P	PIPE 16 x 2 x 640 mm	1
21	10107N	NIPPLE G1/2-ø 16	1
22	10134N	BOLT M8x30	4
23	10292N	SCREW M6x16	8
24	10295N	HINGE 75 x 40 mm	2
25	10118N	BOLT M6x20	5
26	10120N	WASHER M6	5
27	10182N	GASKET 6 x 18 mm	5
28	10167P	BRUSH MOTOR COVER	1
29	10118M	EXTENSION SPRING 2 x 15 x 122 mm	1
30	10179N	BOLT M6x35	2
31	10325N	GASKET M6	2
32	10141E	18W LIGHT	1
33	10241P	PLASTIC WASHER M5	4
34	10331N	SCREW M4x20	4
35	10227H	GUIDE BRACKET 5 x 152 x 130 x 30 mm	1
36	20112P	FILTER SPONGE 263 x 55 x 30 mm	1

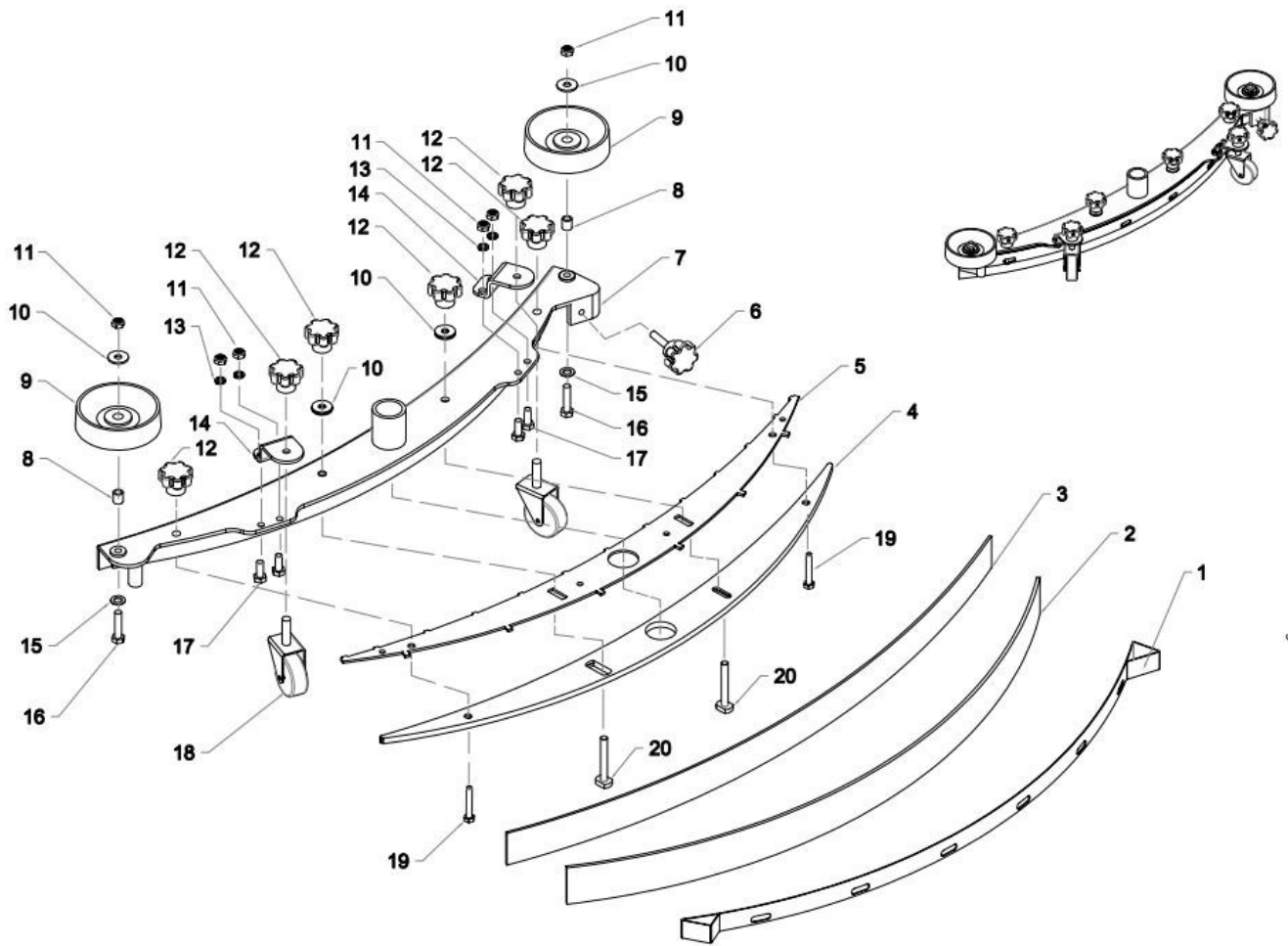
RECOVERY TANK ASSEMBLY



RECOVERY TANK ASSEMBLY

ITEM	PART NUMBER	DESCRIPTION	QTY.
1	20196P	COVER	1
2	20103P	GASKET	1
3	10296P	FILTER BASKET COVER	1
4	10135N	SCREW M4x12	6
5	10215N	SCREW M4x12	7
6	10139N	GASKET 4 x 13 x 3.2 mm	4
7	10309H	FLANGE 2 x 210 x 188 mm	1
8	10273P	AIR FILTER ELEMENT N5	1
9	10297P	FILTER BASKET	1
10	10175P	RECOVERY TANK	1
11	10254E	24V LEVEL SENSOR	1
12	10305H	LEVEL SENSOR FIXTURE 60 x 20 x 18 x 1 mm	1
13	10122N	WASHER M4	2
14	10311H	COVER 164 x 100 x 1 mm	1
15	10152P	SUCTION HOSE 38 x 950 mm	1
16	10202P	EXHAUST HOSE 38 x 600 mm	1
17	10140N	CLAMP	1
18	20105P	FOAMED COTTON 150 x 105 x 13 mm	1
19	20106P	NOISE REDUCTION FOAM 100 x 630 mm	1
20	10112E	24V SUCTION MOTOR	1
21	10108H	MOTOR FLANGE 164 x 2 mm	1
22	10125N	WASHER M6	3
23	10117N	BOLT M6x100	3
24	10252H	MOTOR COVER 100 x 250 x 1.5 mm	1
25	10123N	WASHER M5-15	3
26	10110N	BOLT M5x16	3

SQUEEGEE ASSEMBLY



SQUEEGEE ASSEMBLY, CONTINUED

ITEM	PART NUMBER	DESCRIPTION	QTY.
1	10116H	STEEL PLATE	1
2	20115P	REAR RUBBER SQUEEGEE 4 x 855 x 52 mm	1
3	20114P	FRONT RUBBER SQUEEGEE 4 x 845 x 45 mm	1
4	20116P	SQUEEGEE WEDGE	1
5	10153H	STEEL FIXING PLATE	1
6	10150N	KNOB M8	1
7	20102M	SQUEEGEE BODY	1
8	10146M	BUSHING 8 x 12 x 13 mm	2
9	10113P	WHEEL 100 x 25 mm	2
10	10127N	GASKET 8 x 24 x 2 mm	6
11	10130N	LOCK NUT M8	6
12	10114P	KNOB M8	6
13	1012N	WASHER M8	4
14	10117H	WHEEL SUPPORT	2
15	10126N	GASKET M8	2
16	10194N	BOLT M8x35	2
17	10132N	BOLT M8x20	4
18	10118P	CASTER WHEEL	2
19	10116N	BOLT M8x50	2
20	10301N	T-BOLT M8x60	2
	20107A	SQUEEGEE ASSEMBLY 26T	

BATTERIES AND CHARGER

ITEM	DESCRIPTION	QTY
BATTERY SPECIFICATIONS	12v AGM, 100ah (13" x 9.44" x 6.75")	2
10174E	EXTERNAL CHARGER 24V, 15A	1